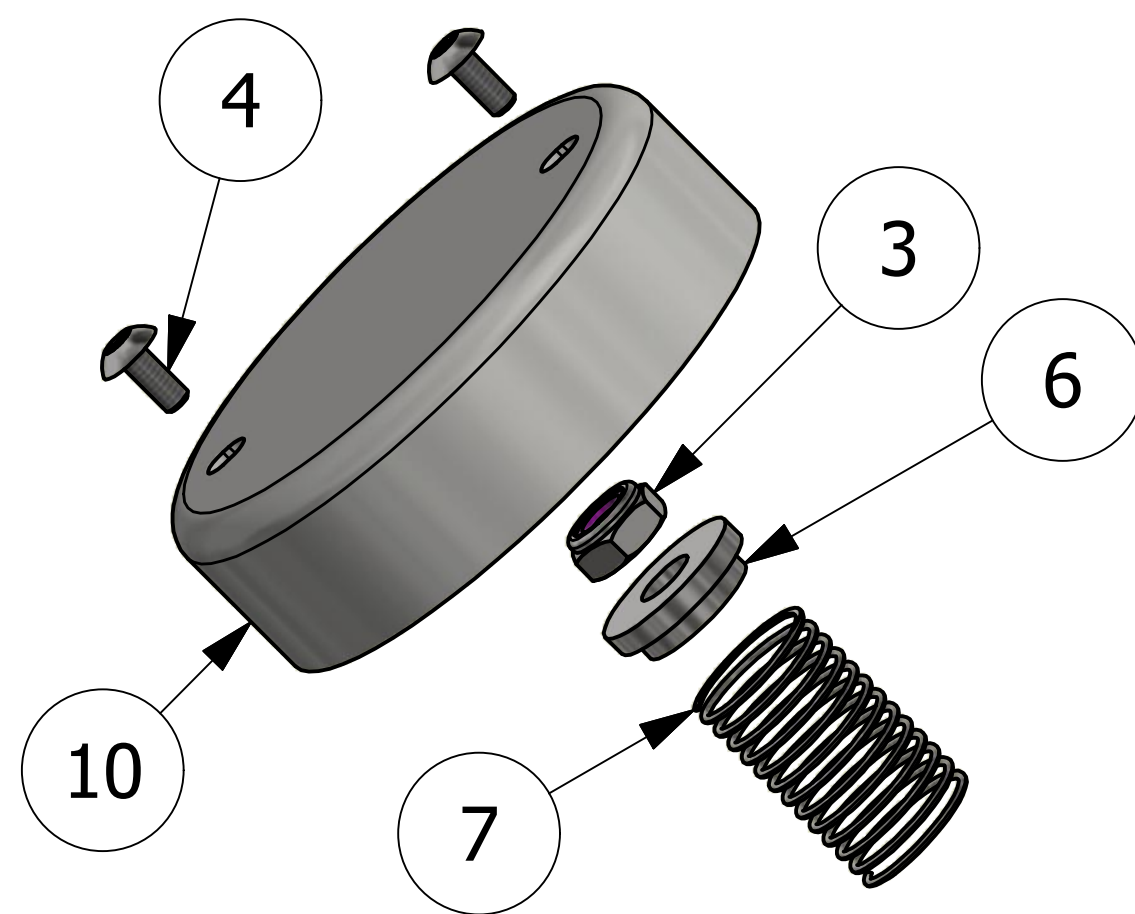


NO.	PART NAME	PART#	REQ'D	MATERIAL
1	PIPE FLANGE 4 3/4"X1 1/2" NPT	B46275	1	304 SS
2	HEX JAM NUT 7/16"-20	N716S	1	18-8 SS
3	HEX LOCK NUT 5/16"-18	R20ANS	1	18-8 SS
4	TAMPER RESISTANT SCREW 10-32 X 3/8"	TRS1032SS	2	302 SS
5	VACUUM RELIEF VALVE GASKET 1 1/2"	VV15202G	1	BLACK VITON GFLT-600S
6	VACUUM RELIEF VALVE BUSHING 1 1/2"	VV15S41SB	1	303 SS
7	SPRING 3/4" X 3 5/16"	VV15S41SP	1	18-8 SS
8	VACUUM RELIEF VALVE STEM 1 1/2"	VVN15S4SA	1	304/18-8 SS
9	VACUUM RELIEF VALVE BODY ASSEMBLY 1 1/2"	VVN15S4VBA	1	304 SS
10	VACUUM RELIEF VALVE CAP	VVNS4TC	1	304 SS



MARK PER Q-2.14  
TEXT HEIGHT .1" MINIMUM

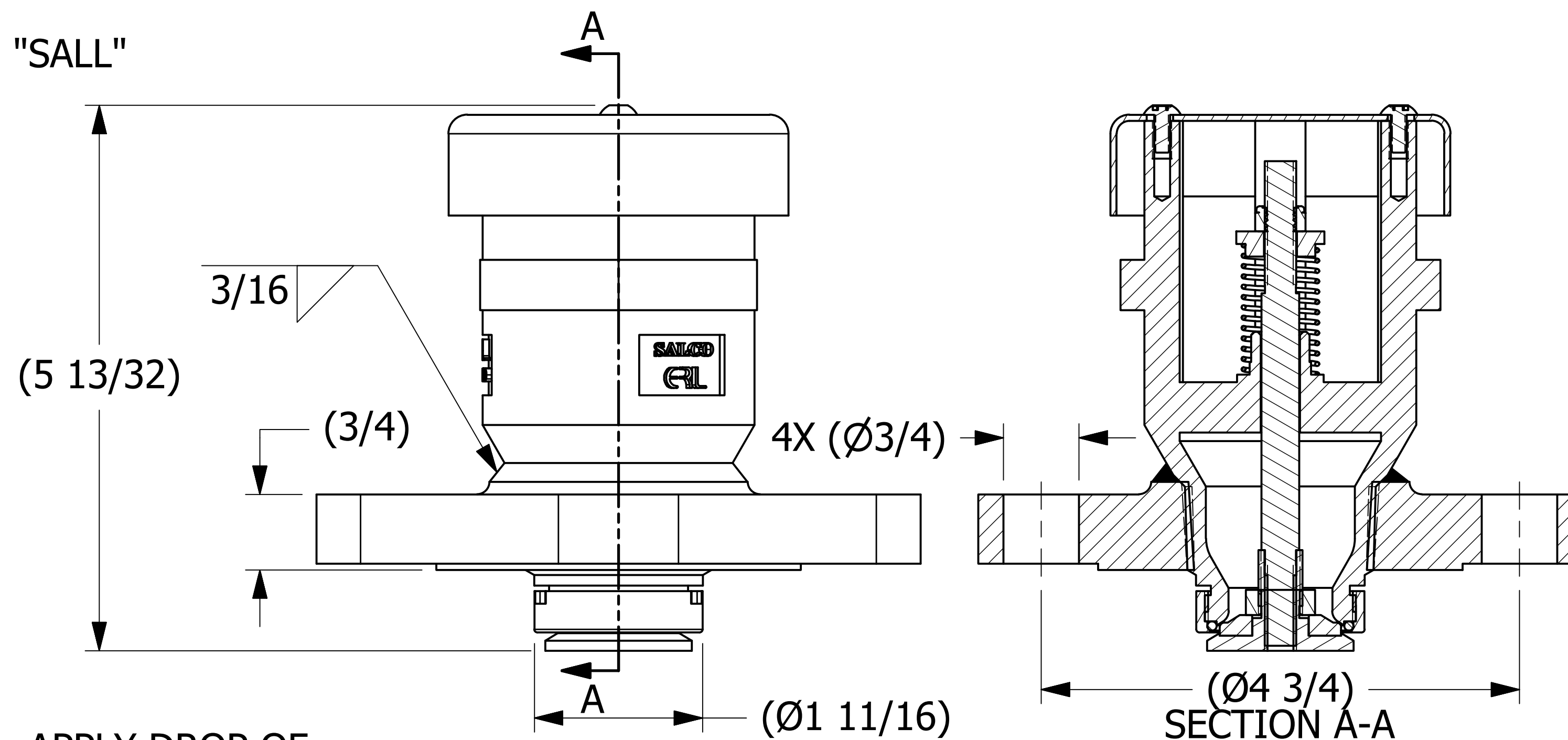
APPLY ANTI-SEIZE  
TO THREADS

ENGRAVE "AAR # E-202141", "SALL"  
TEXT HEIGHT .1" MINIMUM

ENGRAVE "SET VACUUM 1.5 PSIG",  
"VVN15X2S4RA5202A", "VITON GFLT"  
TEXT HEIGHT .1" MINIMUM

APPLY ANTI-SEIZE  
TO THREADS

APPLY DROP OF  
BLUE THREADLOCKER



**NOTES:**

1. VALVE BODY IS 304 SS WITH TEFLON ENCAPSULATED SILICONE O-RING.
2. VACUUM RATING IS 3.05" OF Hg (-1.5 PSI) PER APPENDIX A, SECTION 4.10 OF AAR TANK CAR MANUAL.
3. AAR APPROVAL # E-202141.
4. TEST PER Q-2.15.7.
5. SEE DOCUMENT Q-2.14 FOR MARKING PROCEDURE.
6. SEE DOCUMENTS WPS-F03, WPS-F05, WPS-M07, WPS-M10, WPS-T06, & WPS-T07 FOR WELDING PROCEDURE.
7. WELD ACCEPTANCE CRITERIA TO MEET DOCUMENT D-005.

D	WEB	7/13/21	CHANGED MARKING TO BODY; REMOVED LABEL
C	WEB	9/3/20	AAR # WAS E-099034; UPDATED TITLE BLOCK; UPDATED WELD PROCEDURE; ADDED D-005 NOTE; DRAWING # WAS 46233
B	JG	5/14/18	Q-2.14 WAS QAP5A-1; Q-2.15.7 WAS QAP4C-1
A	WEB	1/4/18	RELEASED FOR PRODUCTION
REV	BY	DATE	DESCRIPTION

UNLESS OTHERWISE SPECIFIED DIMENSIONAL TOLERANCES	DRAWN BY:	JG
FRACTIONAL: ±1/16	CHECKED BY:	VD
X.XX: ±.03	PROTOTYPE DATE:	11/16/2017
X.XXX: ±.015	APPROVED FOR PRODUCTION BY:	VD
ANGULAR: ±1°	PRODUCTION DATE:	1/4/2018
DEBURR ALL SHARP EDGES. ALL MACHINED SURFACES TO HAVE A 125 RMS FINISH. UNLESS NOTED OTHERWISE.	SIZE:	D
THIRD ANGLE PROJECTION	DRAWING #:	50645

**SALCO PRODUCTS, INC.**

PART NAME: **VACUUM RELIEF VALVE 1 1/2"X2" FLANGED**

MATERIAL: **SEE BOM**

PROJECT #: **R171116F** SHEET #: **1 OF 1** SCALE: **1:1**

PART #: **VVN15X2S4RA5202A**