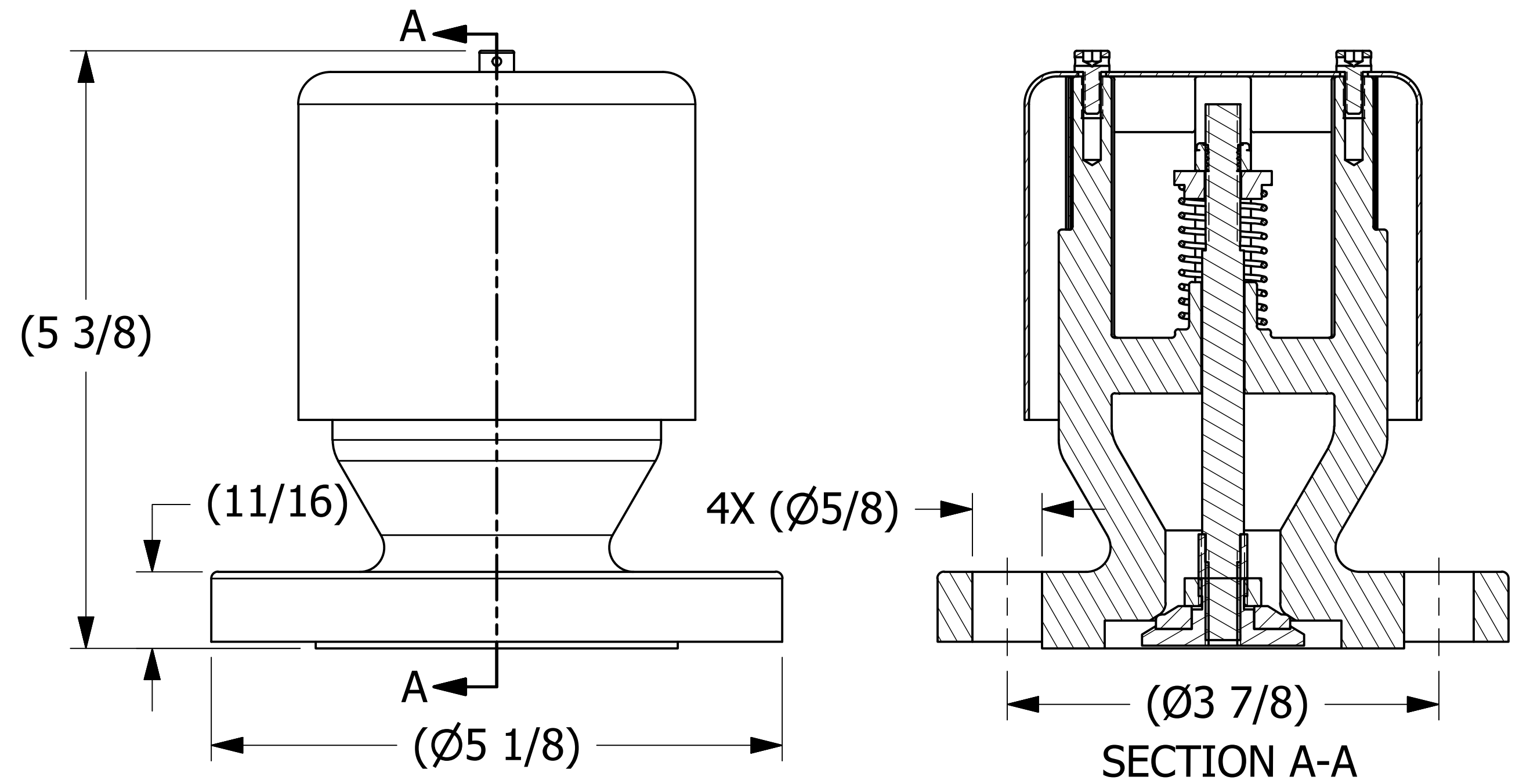
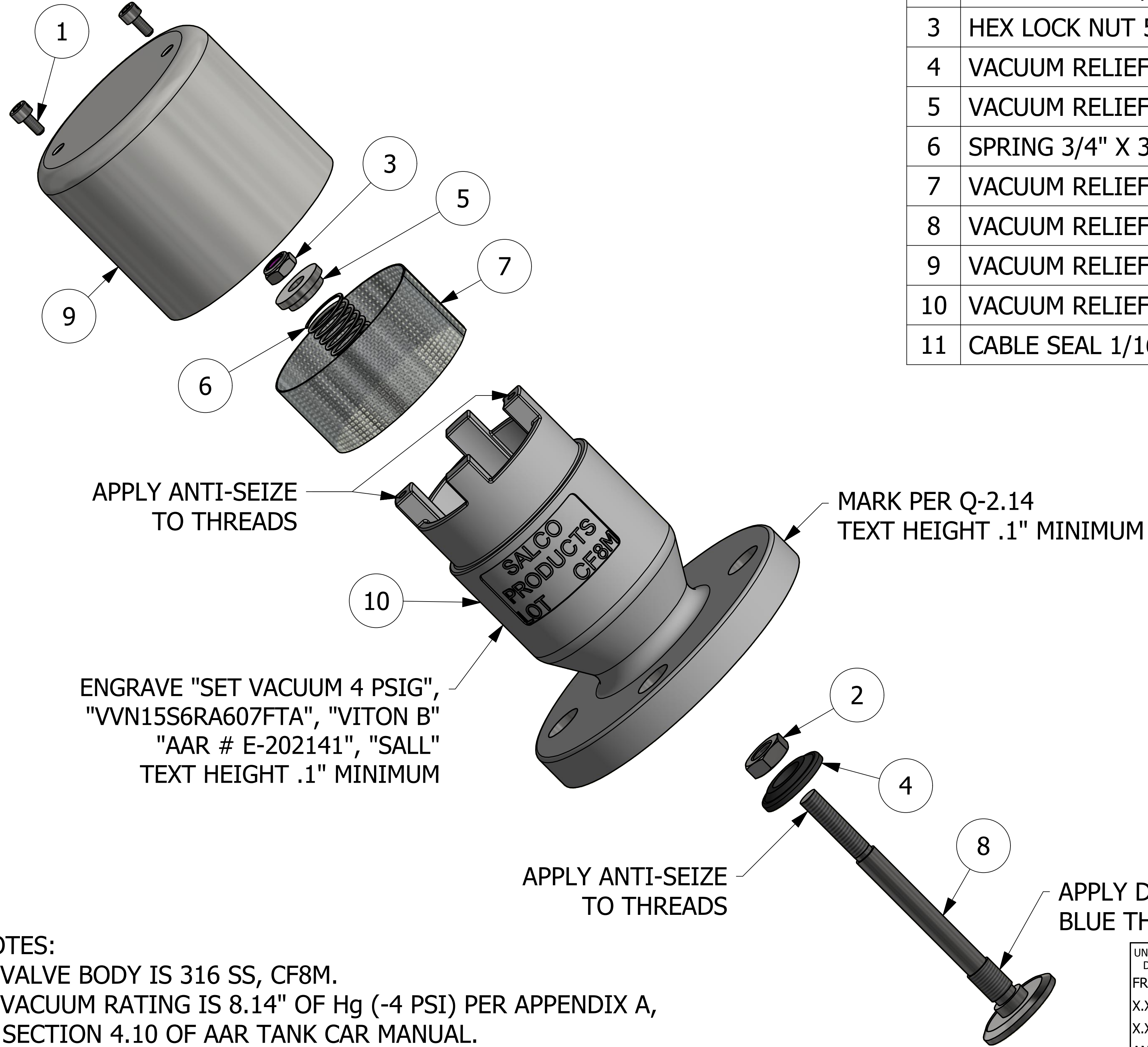


| NO. | PART NAME | PART # | REQ'D | MATERIAL |
|-----|--|---------------------|-------|---------------|
| 1 | SOCKET HEAD CAP SCREW #10-32 X 3/8" | A25014 | 2 | 18-8 SS |
| 2 | HEX JAM NUT 7/16"-20 | N716S | 1 | 18-8 SS |
| 3 | HEX LOCK NUT 5/16"-18 | R20ANS | 1 | 18-8 SS |
| 4 | VACUUM RELIEF VALVE GASKET 1 1/2" | VV1507G | 1 | BLACK VITON B |
| 5 | VACUUM RELIEF VALVE BUSHING 1 1/2" | VV15S41SB | 1 | 303 SS |
| 6 | SPRING 3/4" X 3 5/16" | VV15S43SP | 1 | 18-8 SS |
| 7 | VACUUM RELIEF VALVE FILTER SCREEN 1-1/2" | VVN15FS01 | 1 | 316 SS |
| 8 | VACUUM RELIEF VALVE STEM 1 1/2" | VVN15S4SA | 1 | 304/18-8 SS |
| 9 | VACUUM RELIEF VALVE CAP 1 1/2" | VVN15S4TCS | 1 | 304 SS |
| 10 | VACUUM RELIEF VALVE BODY 1 1/2" | VVN15S6RAVB | 1 | 316 SS |
| 11 | CABLE SEAL 1/16"X12" (NOT SHOWN) | BRSCEZ11612NPCXTR-F | 1 | ZINC/CS |



ENGRAVE "SET VACUUM 4 PSIG",
"VVN15S6RA607FTA", "VITON B"
"AAR # E-202141", "SALL"
TEXT HEIGHT .1" MINIMUM

APPLY ANTI-SEIZE
TO THREADS

APPLY DROP OF
BLUE THREADLOCKER

NOTES:

1. VALVE BODY IS 316 SS, CF8M.
2. VACUUM RATING IS 8.14" OF Hg (-4 PSI) PER APPENDIX A, SECTION 4.10 OF AAR TANK CAR MANUAL.
3. AAR APPROVAL # E-202141.
4. TEST PER Q-2.15.7.
5. SEE DOCUMENT Q-2.14 FOR MARKING PROCEDURE.

| | | | |
|-----|-----|---------|--|
| D | WEB | 9/10/21 | UPDATED MARKINGS; REMOVED LABEL |
| C | WEB | 9/4/20 | AAR # WAS E-099034; UPDATED TITLE BLOCK |
| B | JG | 3/20/18 | Q-2.14 WAS QAP5A-1; Q-2.15.7 WAS QAP4C-1 |
| A | RJP | 7/20/15 | RELEASED FOR PRODUCTION |
| REV | BY | DATE | DESCRIPTION |

| | | |
|---|-----------------------------|-----------|
| UNLESS OTHERWISE SPECIFIED DIMENSIONAL TOLERANCES | DRAWN BY: | RJP |
| FRACTIONAL: ±1/16 | CHECKED BY: | WRB |
| X.XX: ±.03 | PROTOTYPE DATE: | 7/17/2015 |
| X.XXX: ±.015 | APPROVED FOR PRODUCTION BY: | CHL |
| ANGULAR: ±1° | PRODUCTION DATE: | 7/20/2015 |
| DEBURR ALL SHARP EDGES. ALL MACHINED SURFACES TO HAVE A 125 RMS FINISH UNLESS NOTED OTHERWISE. | SIZE: | D |
| THIRD ANGLE PROJECTION | DRAWING #: | 41913 |

SALCO PRODUCTS, INC.

PART NAME: **VACUUM RELIEF VALVE 1 1/2" FLANGED**

MATERIAL: **SEE BOM**

PROJECT #: **R150715** SHEET #: **1 OF 1** SCALE: **1:1**

PART #: **VVN15S6RA607FTA**