

**AAR Manual of Standards and Recommended Practices
Specifications for Tank Cars**

**APPLICATION FOR RENEWAL OF APPROVAL FOR PRESSURE RELIEF
DEVICES, VALVES, CLOSURES, AND FITTINGS**

1. AAR APPROVAL No. E202149
 2. Date of Application 10-27-20
 3. Previous AAR Approval E139507
 4. Applicant: CONBRACO INDUSTRIES INCORPORATED
 5. Address: 125 HWY 501 East, Conway, SC 29526
 6. Drawing No. 87ATPASP2 & 87ATPASP3 7. Latest rev. B 8. Date of latest rev. 01-14-20
 9. Description of device: 4" BOTTOM OUTLET BALL VALVE 10. Device ID No. 87A/88A-TPA Series

CERTIFICATION: The subject device is **unchanged** from the previous approval, and conforms with the latest revision of AAR Specifications for Tank Cars, Appendix A. The device conforms with drawing listed above.

11. By: _____ Title: _____

If device is **changed** since latest approval, fill in the following blanks

12. Reference Previous Drawing	New Drawing	If on Service Trial
No. <u>87ATPA24SP1</u> Rev. <u>A</u> Date <u>02-10-16</u>	No. <u>87ATPASP2</u> Rev. <u>B</u> Date <u>01-14-20</u>	S.T. No. _____
No. <u>88ATPA24SP1</u> Rev. <u>A</u> Date <u>02-10-16</u>	No. <u>87ATPASP3</u> Rev. <u>B</u> Date <u>01-14-20</u>	S.T. No. _____
No. _____ Rev. _____ Date _____	No. _____ Rev. <u>B</u> Date _____	S.T. No. _____

13. New drawing supersedes previous one or does not obsolete it

CHANGES

REASONS FOR CHANGES

- | | |
|---|-------------------------------|
| 14. a. <u>MOVED TO CAPTURED RETAINER FACE PLATE</u> | a. <u>INDUSTRY PREFERENCE</u> |
| b. _____ | b. _____ |
| c. _____ | c. _____ |
| d. _____ | d. _____ |
- (if needed use supplemental sheet)

15. Normal operational effect of changes of device: NO OPERATIONAL EFFECT. INTERNAL COMPONENTS SUCH AS BALL, STEM, SEATS, AND STEM PACKING REMAIN THE SAME.

16. Drawing submitted with this application: 87ATPA24SP1, 88ATPA24SP1, 87ATPASP2, 87ATPASP3

CERTIFICATION: The above data is correct and conforms with AAR Specifications for Tank Cars, Appendix A. The device conforms with drawing listed above.

17. By: *Jordan Harynski* Title: PROJECT ENGINEER

APPROVAL AAR Tank Car Committee:

Date Approved: 11/23/2020

Kenneth B Dorsey

(Signature) on behalf of Committee

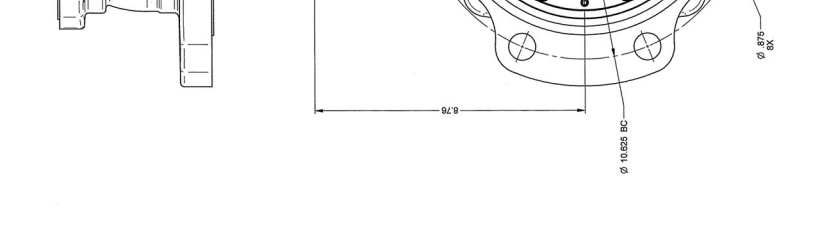
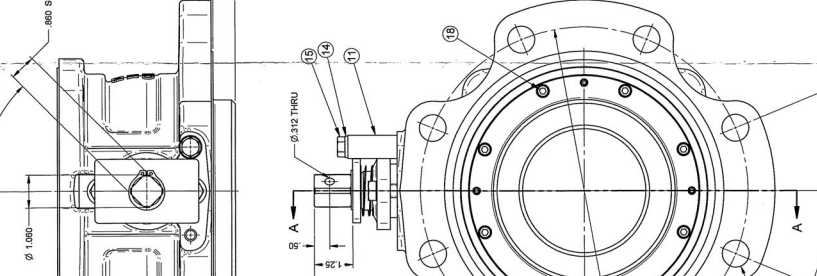
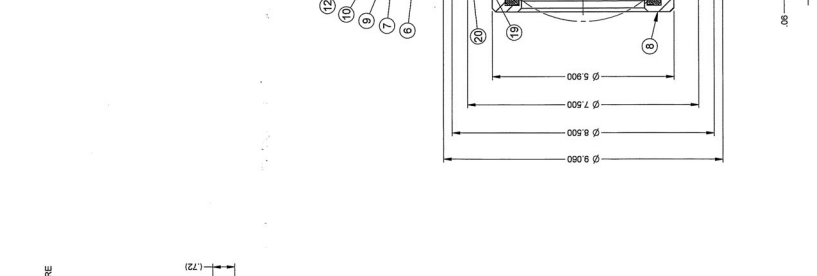
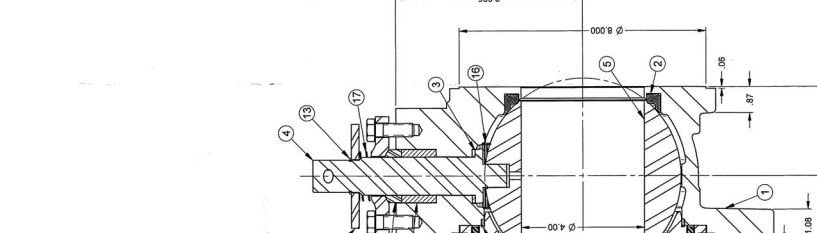
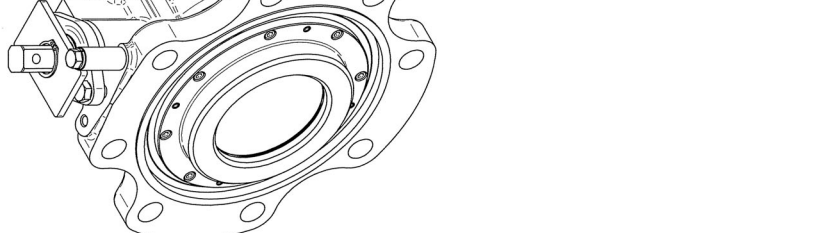
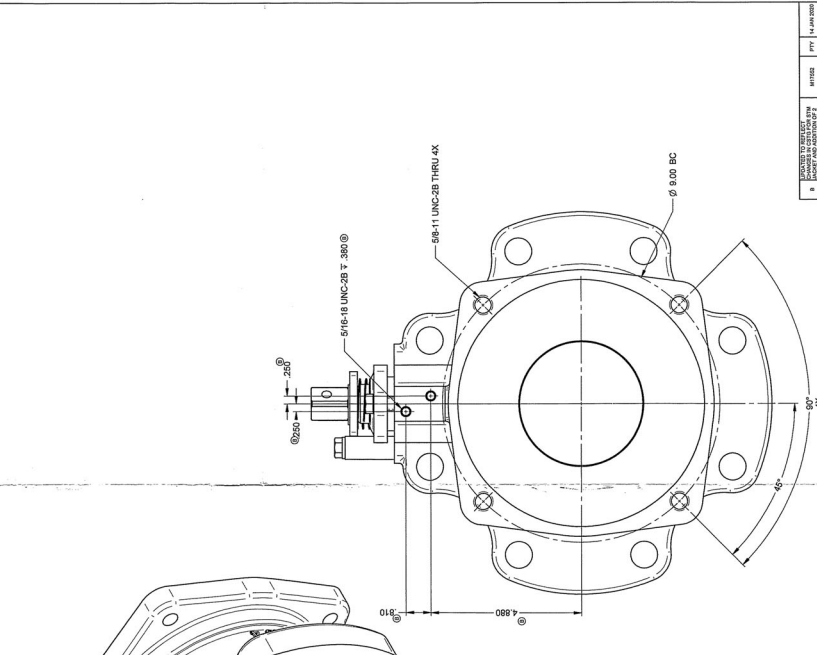
Fig. 1.5 Form AAR 4-7 Application for Renewal of Approval for Pressure Relief Devices, Valves, Closures, and Fittings

ITEM QTY		PART NAME		PART NUMBER	
1	1	BODY MACH. BOTTOM OUTLET SHORT, CS	UC20212	1	1
2	2	SEAL 4" PP 27X38X4 FLEXIBLE THM	D438300	2	2
3	1	BEARING STEM BV PTFE	D327408	3	1
4	1	STEM 4" BOTTOM OUTLET BV	K396400	4	1
5	1	PACKING STEM BV GRPH	D375000	5	1
6	1	GLAND, PACKING, 1.75" OD, 1.265 ID	L169710	6	1
7	1	GLAND PLATE 3" x 4" 1503009 CF8M	R223004	7	1
8	1	STOP 3" x 4" FLG BV, 1/8" SS	R223008	8	1
9	1	STOP ROTATION 4" BOT. OUTLET SS	R60100	9	1
10	1	RING RET. TRIANG. #4100-104 SS	R60200	10	1
11	1	LOCKWASHER 0.3620 0.6890D .094TH	E227600	11	1
12	1	SCREW HHCS. 3/8-16X2.00 SS	B337600	12	1
13	1	SPRING 2.010 ID, 0.05 WD, .875 FL, SS	A159600	13	1
14	1	SHCS 1/4-20 X 0.75, ASTM A193 B8M	B355000	14	1
15	1	SEAL 3/16 X 3/8 X 1/16 CARBON PTFE	D381200	15	1
16	1	SEAL 1/4 X 3/8 X 1/16 CARBON PTFE	D381200	16	1
17	1	NAMEPLATE SS BOT. OUTLET (NOT SHOWN)	R60100	17	1
18	1	NAMEPLATE BLANK SS (NOT SHOWN)	R60200	18	1
19	1	TACK NAMEPLATE AMTAK #3170 (NOT SHOWN)	R43200	19	1
20	1	BAG POLY 5-3626 (NOT SHOWN)	Y166506	20	1

ITEM QTY		PART NAME		PART NUMBER	
1	1	BODY MACH. BOTTOM OUTLET SHORT, CS	UC20212	1	1
2	2	SEAL 4" PP 27X38X4 FLEXIBLE THM	D438300	2	2
3	1	BEARING STEM BV PTFE	D327408	3	1
4	1	STEM 4" BOTTOM OUTLET BV	K396400	4	1
5	1	PACKING STEM BV GRPH	D375000	5	1
6	1	GLAND, PACKING, 1.75" OD, 1.265 ID	L169710	6	1
7	1	GLAND PLATE 3" x 4" 1503009 CF8M	R223004	7	1
8	1	STOP 3" x 4" FLG BV, 1/8" SS	R223008	8	1
9	1	STOP ROTATION 4" BOT. OUTLET SS	R60100	9	1
10	1	RING RET. TRIANG. #4100-104 SS	R60200	10	1
11	1	LOCKWASHER 0.3620 0.6890D .094TH	E227600	11	1
12	1	SCREW HHCS. 3/8-16X2.00 SS	B337600	12	1
13	1	SPRING 2.010 ID, 0.05 WD, .875 FL, SS	A159600	13	1
14	1	SHCS 1/4-20 X 0.75, ASTM A193 B8M	B355000	14	1
15	1	SEAL 3/16 X 3/8 X 1/16 CARBON PTFE	D381200	15	1
16	1	SEAL 1/4 X 3/8 X 1/16 CARBON PTFE	D381200	16	1
17	1	NAMEPLATE SS BOT. OUTLET (NOT SHOWN)	R60100	17	1
18	1	NAMEPLATE BLANK SS (NOT SHOWN)	R60200	18	1
19	1	TACK NAMEPLATE AMTAK #3170 (NOT SHOWN)	R43200	19	1
20	1	BAG POLY 5-3626 (NOT SHOWN)	Y166506	20	1

ITEM QTY		PART NAME		PART NUMBER	
1	1	BODY MACH. BOTTOM OUTLET SHORT, CS	UC20212	1	1
2	2	SEAL 4" PP 27X38X4 FLEXIBLE THM	D438300	2	2
3	1	BEARING STEM BV PTFE	D327408	3	1
4	1	STEM 4" BOTTOM OUTLET BV	K396400	4	1
5	1	PACKING STEM BV GRPH	D375000	5	1
6	1	GLAND, PACKING, 1.75" OD, 1.265 ID	L169710	6	1
7	1	GLAND PLATE 3" x 4" 1503009 CF8M	R223004	7	1
8	1	STOP 3" x 4" FLG BV, 1/8" SS	R223008	8	1
9	1	STOP ROTATION 4" BOT. OUTLET SS	R60100	9	1
10	1	RING RET. TRIANG. #4100-104 SS	R60200	10	1
11	1	LOCKWASHER 0.3620 0.6890D .094TH	E227600	11	1
12	1	SCREW HHCS. 3/8-16X2.00 SS	B337600	12	1
13	1	SPRING 2.010 ID, 0.05 WD, .875 FL, SS	A159600	13	1
14	1	SHCS 1/4-20 X 0.75, ASTM A193 B8M	B355000	14	1
15	1	SEAL 3/16 X 3/8 X 1/16 CARBON PTFE	D381200	15	1
16	1	SEAL 1/4 X 3/8 X 1/16 CARBON PTFE	D381200	16	1
17	1	NAMEPLATE SS BOT. OUTLET (NOT SHOWN)	R60100	17	1
18	1	NAMEPLATE BLANK SS (NOT SHOWN)	R60200	18	1
19	1	TACK NAMEPLATE AMTAK #3170 (NOT SHOWN)	R43200	19	1
20	1	BAG POLY 5-3626 (NOT SHOWN)	Y166506	20	1

ITEM QTY		PART NAME		PART NUMBER	
1	1	BODY MACH. BOTTOM OUTLET SHORT, CS	UC20212	1	1
2	2	SEAL 4" PP 27X38X4 FLEXIBLE THM	D438300	2	2
3	1	BEARING STEM BV PTFE	D327408	3	1
4	1	STEM 4" BOTTOM OUTLET BV	K396400	4	1
5	1	PACKING STEM BV GRPH	D375000	5	1
6	1	GLAND, PACKING, 1.75" OD, 1.265 ID	L169710	6	1
7	1	GLAND PLATE 3" x 4" 1503009 CF8M	R223004	7	1
8	1	STOP 3" x 4" FLG BV, 1/8" SS	R223008	8	1
9	1	STOP ROTATION 4" BOT. OUTLET SS	R60100	9	1
10	1	RING RET. TRIANG. #4100-104 SS	R60200	10	1
11	1	LOCKWASHER 0.3620 0.6890D .094TH	E227600	11	1
12	1	SCREW HHCS. 3/8-16X2.00 SS	B337600	12	1
13	1	SPRING 2.010 ID, 0.05 WD, .875 FL, SS	A159600	13	1
14	1	SHCS 1/4-20 X 0.75, ASTM A193 B8M	B355000	14	1
15	1	SEAL 3/16 X 3/8 X 1/16 CARBON PTFE	D381200	15	1
16	1	SEAL 1/4 X 3/8 X 1/16 CARBON PTFE	D381200	16	1
17	1	NAMEPLATE SS BOT. OUTLET (NOT SHOWN)	R60100	17	1
18	1	NAMEPLATE BLANK SS (NOT SHOWN)	R60200	18	1
19	1	TACK NAMEPLATE AMTAK #3170 (NOT SHOWN)	R43200	19	1
20	1	BAG POLY 5-3626 (NOT SHOWN)	Y166506	20	1



REV	DATE	BY	CHK	APP	REV
1	11 OCT 19	JLB	OK	OK	87ATPASP2

REV	DATE	BY	CHK	APP	REV
1	11 OCT 19	JLB	OK	OK	87ATPASP2

REV	DATE	BY	CHK	APP	REV
1	11 OCT 19	JLB	OK	OK	87ATPASP2

REV	DATE	BY	CHK	APP	REV
1	11 OCT 19	JLB	OK	OK	87ATPASP2

REV	DATE	BY	CHK	APP	REV
1	11 OCT 19	JLB	OK	OK	87ATPASP2

REV	DATE	BY	CHK	APP	REV
1	11 OCT 19	JLB	OK	OK	87ATPASP2

NOTE: VALVE SHOWN IN OPEN POSITION.

