

## APPLICATION FOR RENEWAL OF APPROVAL FOR PRESSURE RELIEF DEVICES, VALVES, CLOSURES, AND FITTINGS

1. AAR APPROVAL No. E202138  
 2. Date of Application 10/01/2019  
 3. Previous AAR Approval E-099015
4. Applicant: Salco Products Inc.  
 5. Address: 1385 101st Street, Suite A, Lemont IL 60439  
 6. Drawing No. C49350 7. Latest rev. A 8. Date of latest rev. 10/01/2019  
 9. Description of device: Bottom Outlet Cap 4" 10. Device ID No. PBC4XXXA

**CERTIFICATION:** The subject device is **unchanged** from the previous approval, and conforms with the latest revision of AAR Specifications for Tank Cars, Appendix A. The device conforms with drawing listed above.

11. By: \_\_\_\_\_ Title: \_\_\_\_\_

If device is **changed** since latest approval, fill in the following blanks

12. Reference Previous Drawing	New Drawing	If on Service Trial
No. <u>PBC4001A</u> Rev. <u>K</u> Date <u>09/17/2013</u>	No. <u>PBC4XXXA</u> Rev. <u>A</u> Date <u>10/01/2019</u>	S.T. No. _____
No. _____ Rev. _____ Date _____	No. _____ Rev. _____ Date _____	S.T. No. _____
No. _____ Rev. _____ Date _____	No. _____ Rev. _____ Date _____	S.T. No. _____

13. New drawing supersedes previous one  or does not obsolete it

### CHANGES

### REASONS FOR CHANGES

- |  |   |
|--|---|
| 14. a. <u>New Drawing Number</u><br>b. _____<br>c. _____<br>d. _____<br>(if needed use supplemental sheet) | a. <u>Reorganized old drawing into a new chart drawing.</u><br>b. _____<br>c. _____<br>d. _____ |
|--|---|

15. Normal operational effect of changes of device: None - This is a clerical update the the drawing structure.


16. Drawing submitted with this application: PBC4XXXA

**CERTIFICATION:** The above data is correct and conforms with AAR Specifications for Tank Cars, Appendix A. The device conforms with drawing listed above.

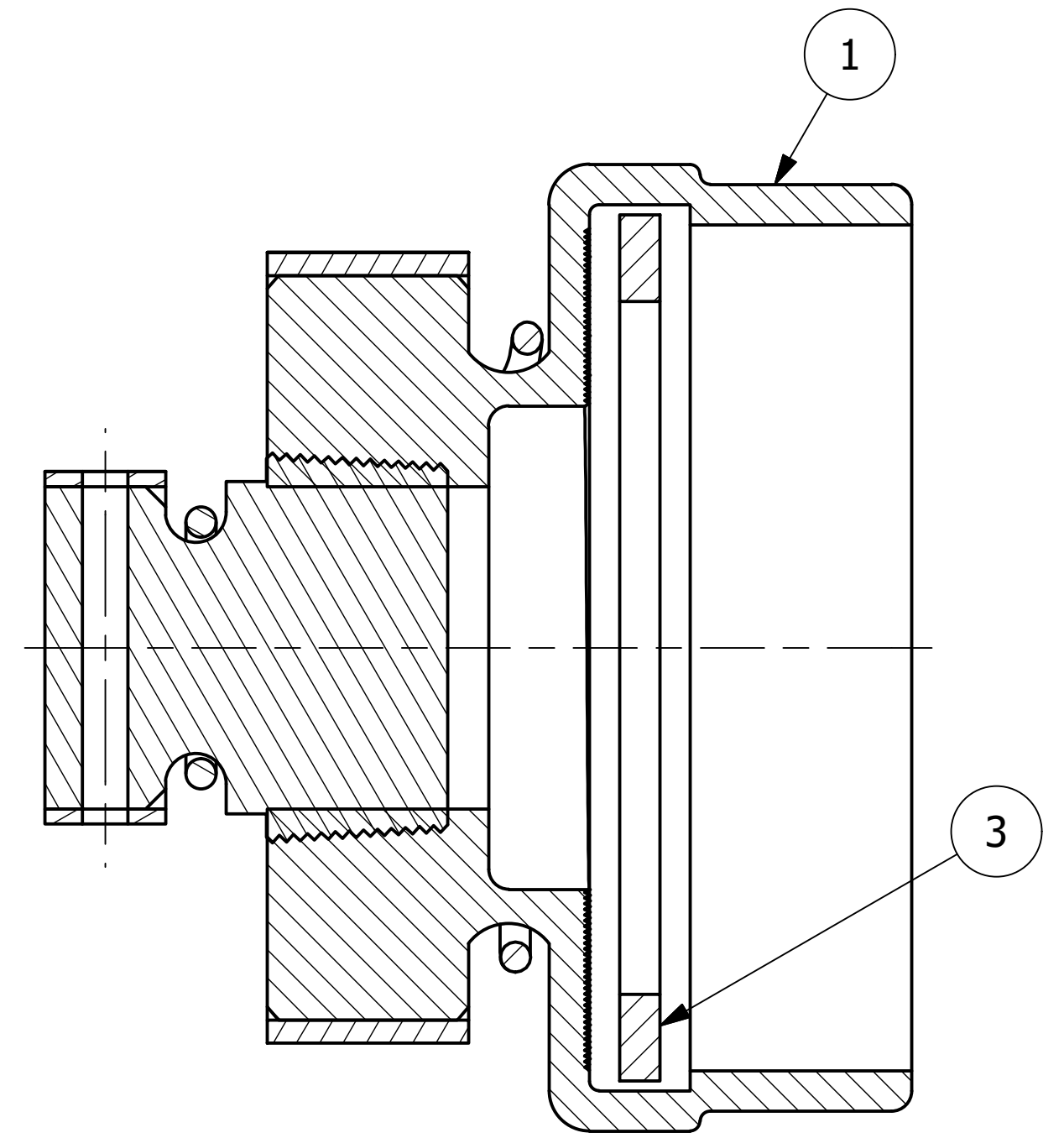
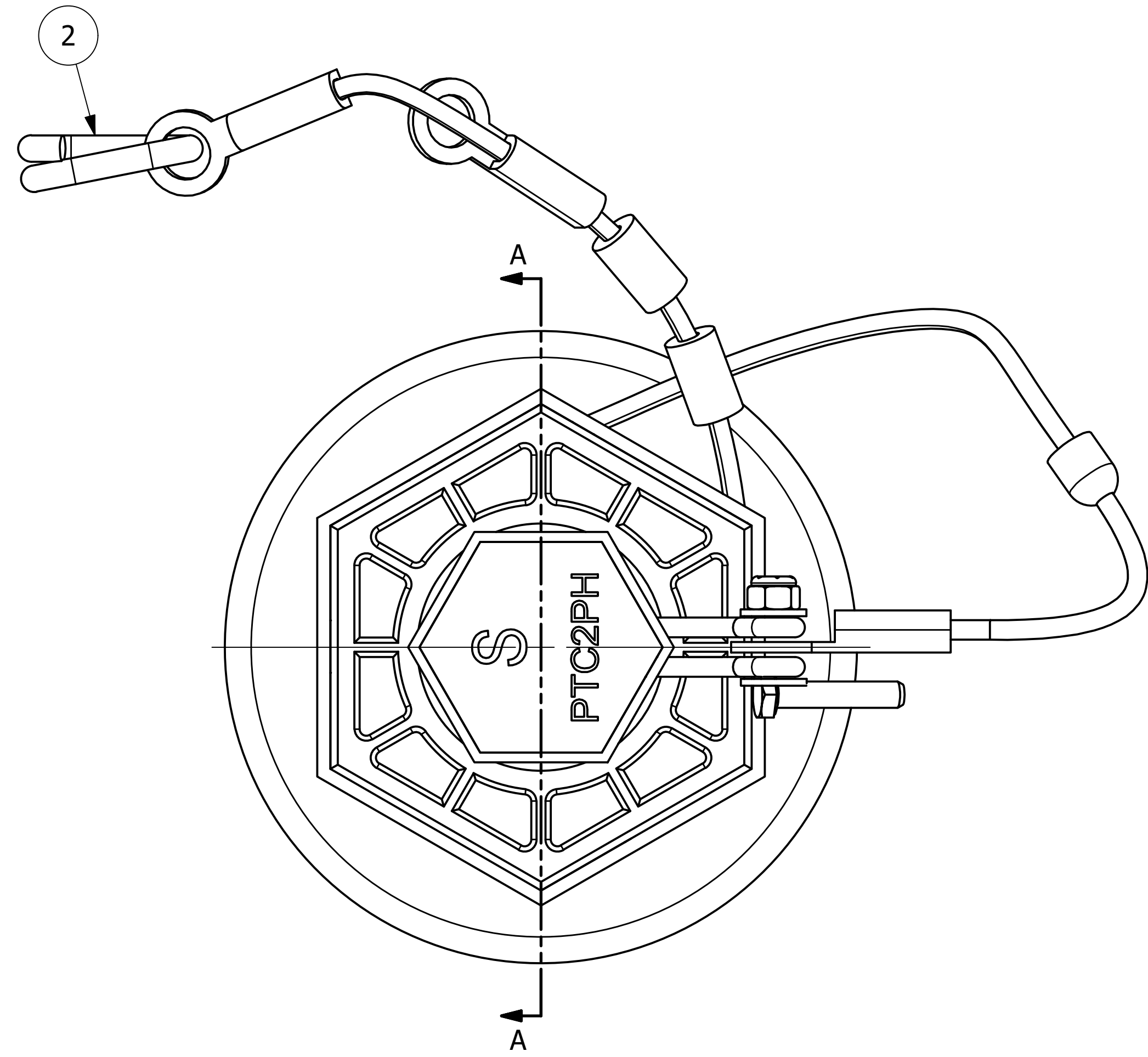
17. By: \_\_\_\_\_ Title: \_\_\_\_\_

APPROVAL AAR Tank Car Committee:

Date Approved: 8/10/2020

  
 \_\_\_\_\_  
 (Signature) on behalf of Committee

NO.	PART NAME	PART#	REQ'D	MATERIAL
1	BOTTOM OUTLET CAP 4"	PBC40A	1	NYLON
2	REPAIR LINK 1/4"	SCA1L	1	CS Z/P
3	ADAPTER GASKET 5 1/4" RR	SSA4G	1	BLACK NITRILE



SECTION A-A

- NOTES:
1. AAR APPROVAL# E-202138.
  2. 5 1/4"-4 UN-2B THREADS CONFORM TO ANSI B1.1 AND FIGURE E18 OF AAR TANK CAR MANUAL.

B			AAR APPROVAL # WAS E-099015, UPDATED
A	CHL	10/1/19	RELEASED FOR PRODUCTION
REV	BY	DATE	DESCRIPTION

UNLESS OTHERWISE SPECIFIED DIMENSIONAL TOLERANCES FRACTIONAL: ±1/16 X.XX: ±.03 X.XXX: ±.015 ANGLE: ±1° DEBURR ALL SHARP EDGES. ALL MACHINED SURFACES TO HAVE A 125 RMS FINISH UNLESS NOTED OTHERWISE	DRAWN BY: CHL
	CHECKED BY: WRB
	PROTOTYPE DATE: 8/16/2019
	APPROVED FOR PRODUCTION BY: WRB
	PRODUCTION DATE: 10/1/2019
	SIZE: C
	DRAWING #: 49350



PART NAME: <b>BOTTOM OUTLET CAP 4"</b>			
MATERIAL: <b>SEE BOM</b>			
PROJECT #:	961215	SHEET #:	1 OF 2
SCALE:	1 : 1		
PART #: <b>PBC4XXXA</b>			

