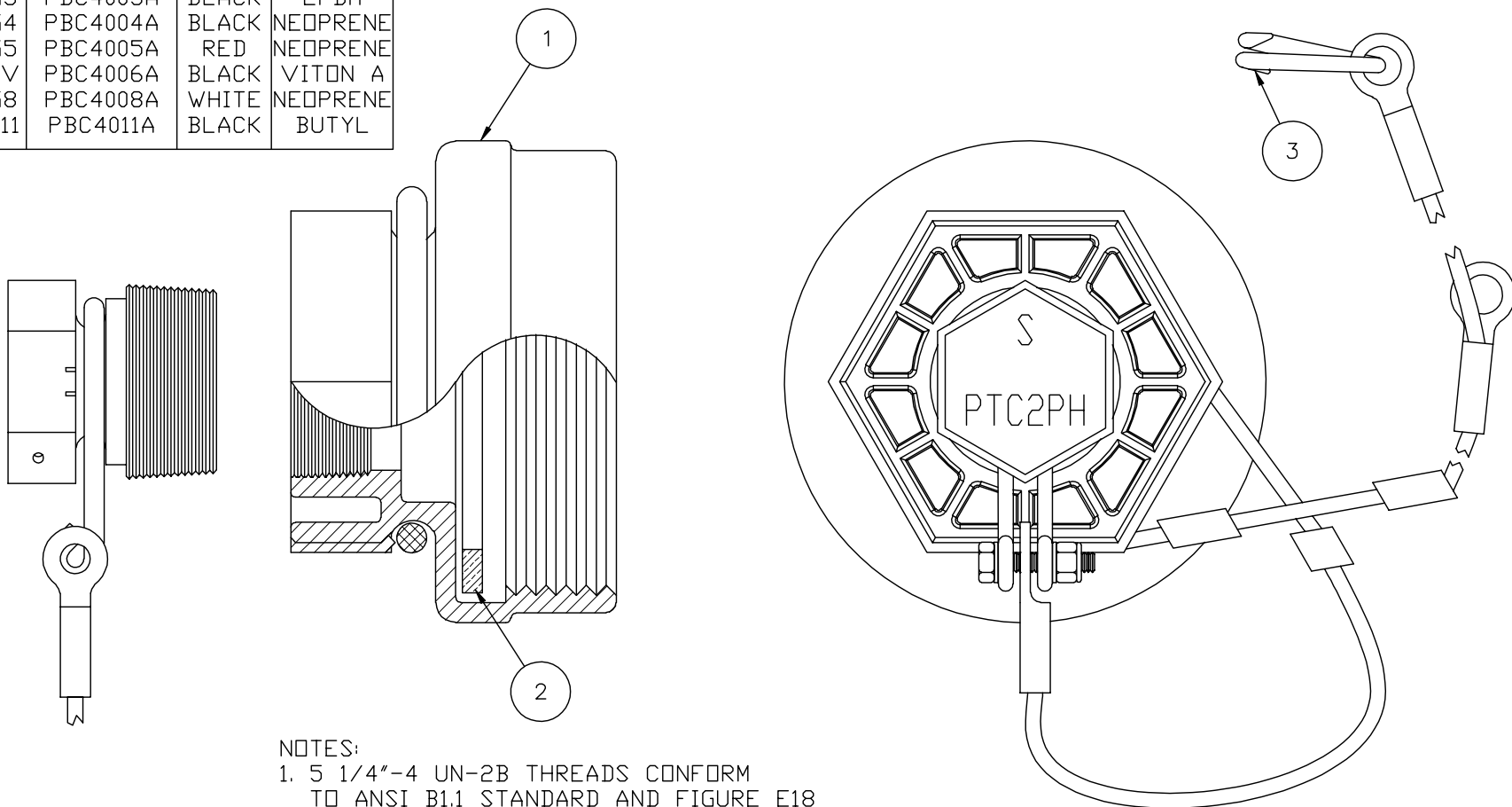


NO.	PART NAME	PART #	REQ'D	MATERIAL
1	BOTTOM OUTLET CAP 4'	PBC40A	1	NYLON
2	GASKET 4 5/16X5 3/8	SEE CHART	1	SEE CHART
3	REPAIR LINK 1/4'	SCAIL	1	CS Z/P

GASKET#	ASSEMBLY#	COLOR	MATERIAL
SSA4G	PBC4001A	BLACK	NITRILE
SSA4GW	PBC4002A	WHITE	NITRILE
SSA4G3	PBC4003A	BLACK	EPDM
SSA4G4	PBC4004A	BLACK	NEOPRENE
SSA4G5	PBC4005A	RED	NEOPRENE
SSA4GV	PBC4006A	BLACK	VITON A
SSA4G8	PBC4008A	WHITE	NEOPRENE
SSA4G11	PBC4011A	BLACK	BUTYL



NOTES:

- 5 1/4"-4 UN-2B THREADS CONFORM TO ANSI B1.1 STANDARD AND FIGURE E18 OF AAR TANK CAR MANUAL.
- ARR APPROVAL# E-099015.

REV	BY	DATE	DESCRIPTION
K	CHL	9-17-13	UPDATED NOTES & AAR APPROVAL #
J	PJG	1-5-04	UPDATED VIEW OF CAP
I	CHL	10-10-02	ADDED SCAIL TO BOM
H	CHL	5-9-02	ADDED PBC40A SUBASSEMBLY
G	ACC	5-25-00	ADDED CHART
F	ACC	5-9-00	REMOVED TABS, ADDED SEAL HOLE, CHANGED CABLE
E	ACC	7-12-99	CABLE ASSEMBLY MAT'L WAS STEEL
D	ACC	2-23-99	ADDED CABLE SEALS TO PROTECTORS
C	ACC	11-5-98	HEX SIZE WAS 4.50"
B	ACC	9-14-98	ADDED AAR APPROVAL #, PART# WAS A8911
A	ACC	7-16-98	REMOVED BELLY CAP FROM THE DESCRIPTION

UNLESS OTHERWISE SPECIFIED
DIMENSIONAL TOLERANCES

FRACTIONAL	±1/16
X.XXX	±0.03
X.XXX	±0.015
ANGULAR	±1°

THIS PRINT, PROPERTY OF SALCO PRODUCTS, INC.,
CONTAINS PROPRIETARY INFORMATION AND MUST
NOT BE COPIED, REPRODUCED, OR USED
IN WHOLE OR IN PART WITHOUT THE WRITTEN
CONSENT OF SALCO PRODUCTS, INC.

THIRD ANGLE PROJECTION



SALCO PRODUCTS, INC.

2D

DRAWN BY: ACC CHKD BY: AVD SCALE: 1:1 APPROVAL DATE: 6-10-98

MATERIAL: SEE BOM

PART NAME: BOTTOM OUTLET CAP 4'

PROJECT # 961215 PROTOTYPE AND DATE: APPROVED FOR PRODUCTION: ACC

DRAWING #: C9492 PART #: SEE CHART