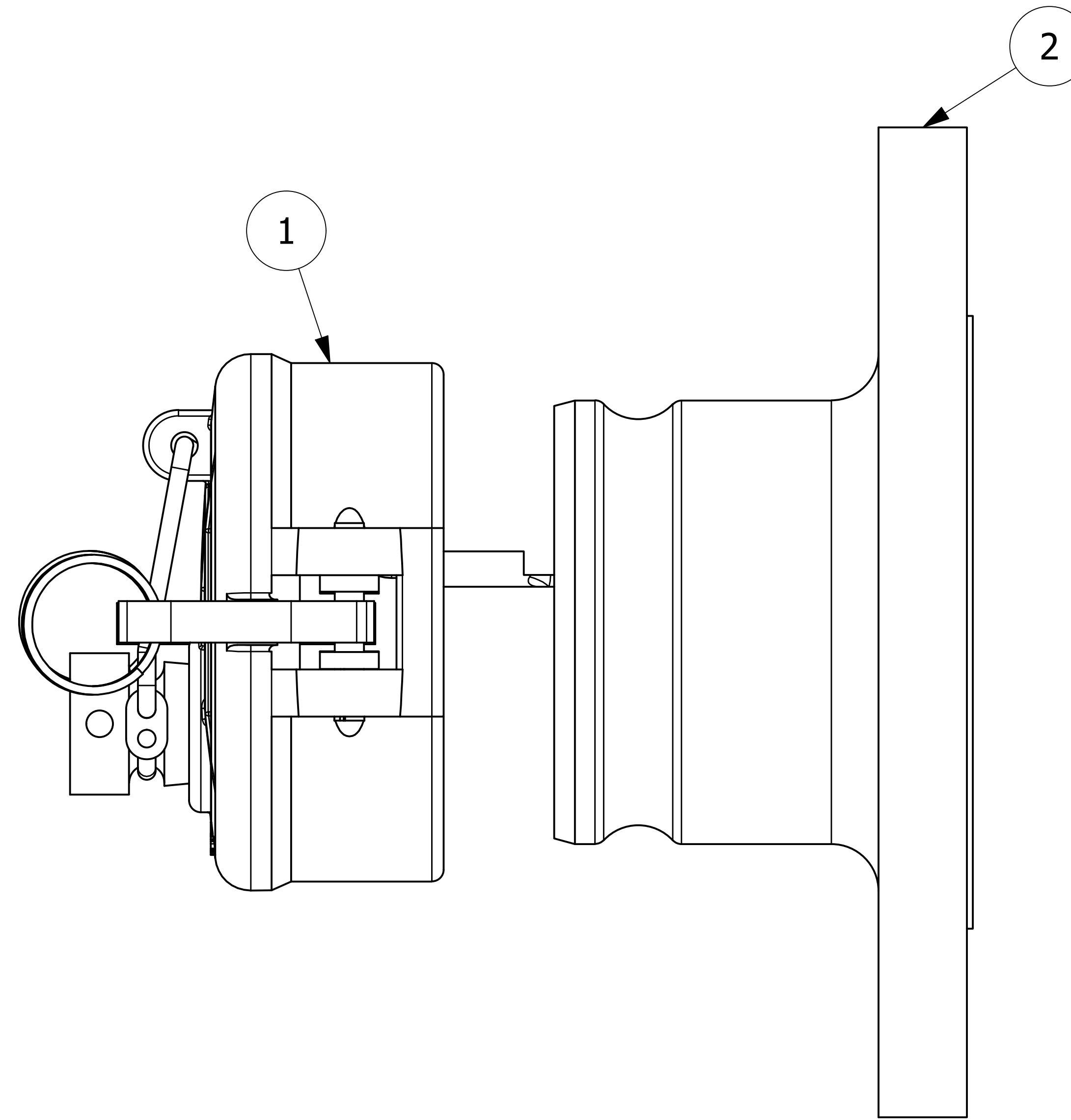
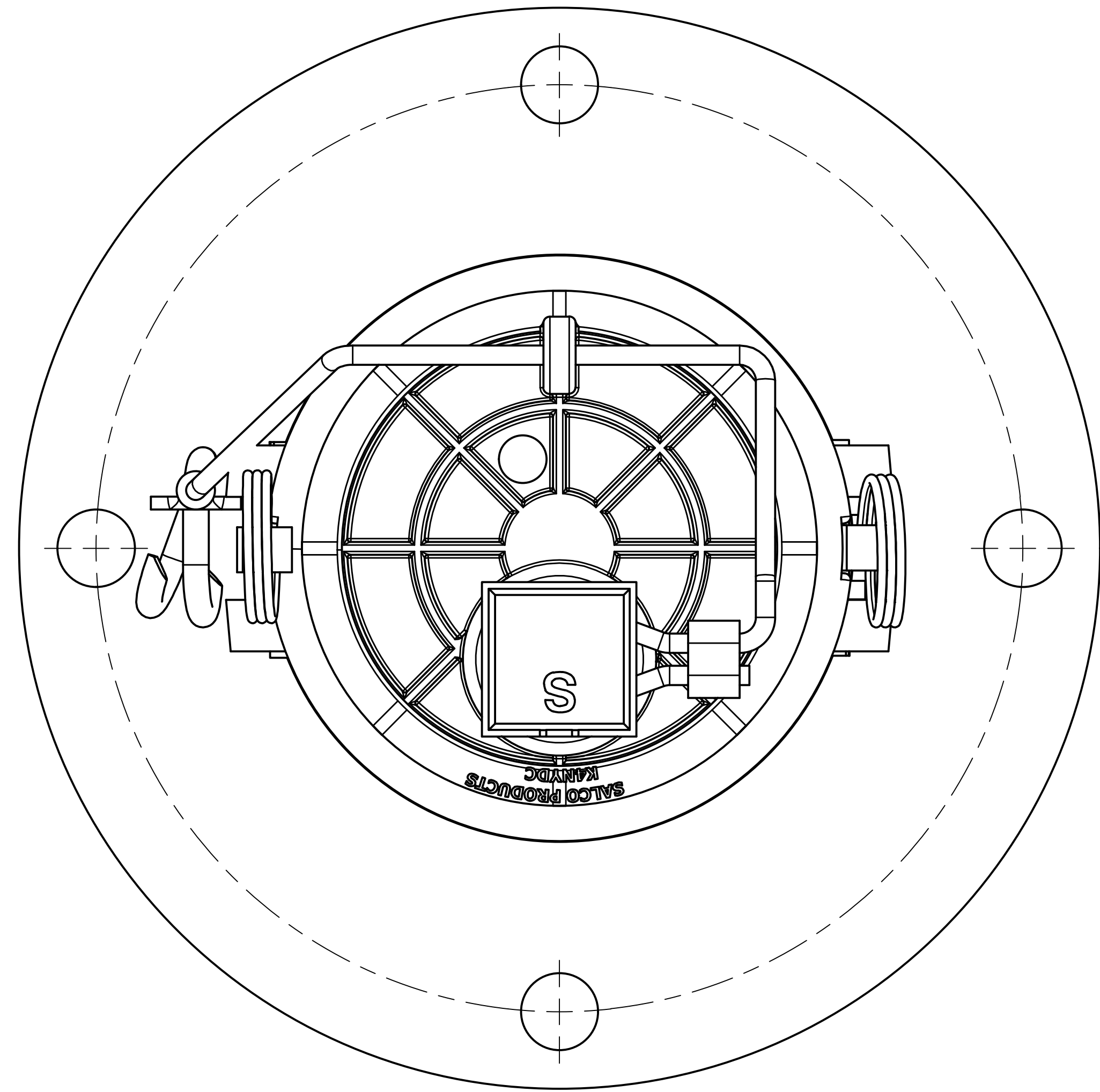


NO.	PART NAME	PART #	REQ'D	MATERIAL
1	QUICK CONNECT CAP 4" CAMMED	K4NYDC01A	1	NYLON
2	QUICK CONNECT ADAPTER 4" FLANGE	K4SBF	1	316 SS



**NOTES:**

1. APPROXIMATE HEIGHT IS 6 1/2".
2. FLANGE AAR APPROVAL # E-232133.
3. CAP AAR APPROVAL # E-232131.
4. THIS ASSEMBLY IS NOT DOT APPROVED AND CAN BE USED ONLY ON AAR STENCILED CARS.
5. QUICK DISCONNECT MEETS A-A-59326D.
6. CASTING IS 316 SS GRADE CF-8M ASTM# A743.
7. PLASTIC IS NYLON 6/6.
8. CAP GASKET IS BLACK NITRILE.
9. FITS JAMESBURY 4" BALL VALVE (9.00" B.C.).

B	WEB	5/2/24	E-232133 WAS E-139514; E-232131 WAS E-139515; UPDATED TITLE BLOCK
A	JJK	1-2-15	RELEASED FOR PRODUCTION
REV	BY	DATE	DESCRIPTION

UNLESS OTHERWISE SPECIFIED DIMENSIONAL TOLERANCES	DRAWN BY:	JJK
FRACTIONAL: ±1/16	CHECKED BY:	JRO
X.XX: ±.03	PROTOTYPE DATE:	12/30/2014
X.XXX: ±.015	APPROVED FOR PRODUCTION BY:	JRO
ANGULAR: ±1°	PRODUCTION DATE:	1/2/2015
DEBURR ALL SHARP EDGES. ALL MACHINED SURFACES TO HAVE A 125 RMS FINISH. UNLESS NOTED OTHERWISE. THIRD ANGLE PROJECTION	SIZE:	D
	DRAWING #:	40531

<b>SALCO PRODUCTS, INC.</b>		
PART NAME: <b>QUICK CONNECT 4" FLANGED</b>		
MATERIAL: <b>SEE BOM</b>		
PROJECT #:	<b>R141230</b>	SHEET #: <b>1 OF 1</b> SCALE: <b>1:1</b>
PART #: <b>K4NYSBF01A</b>		