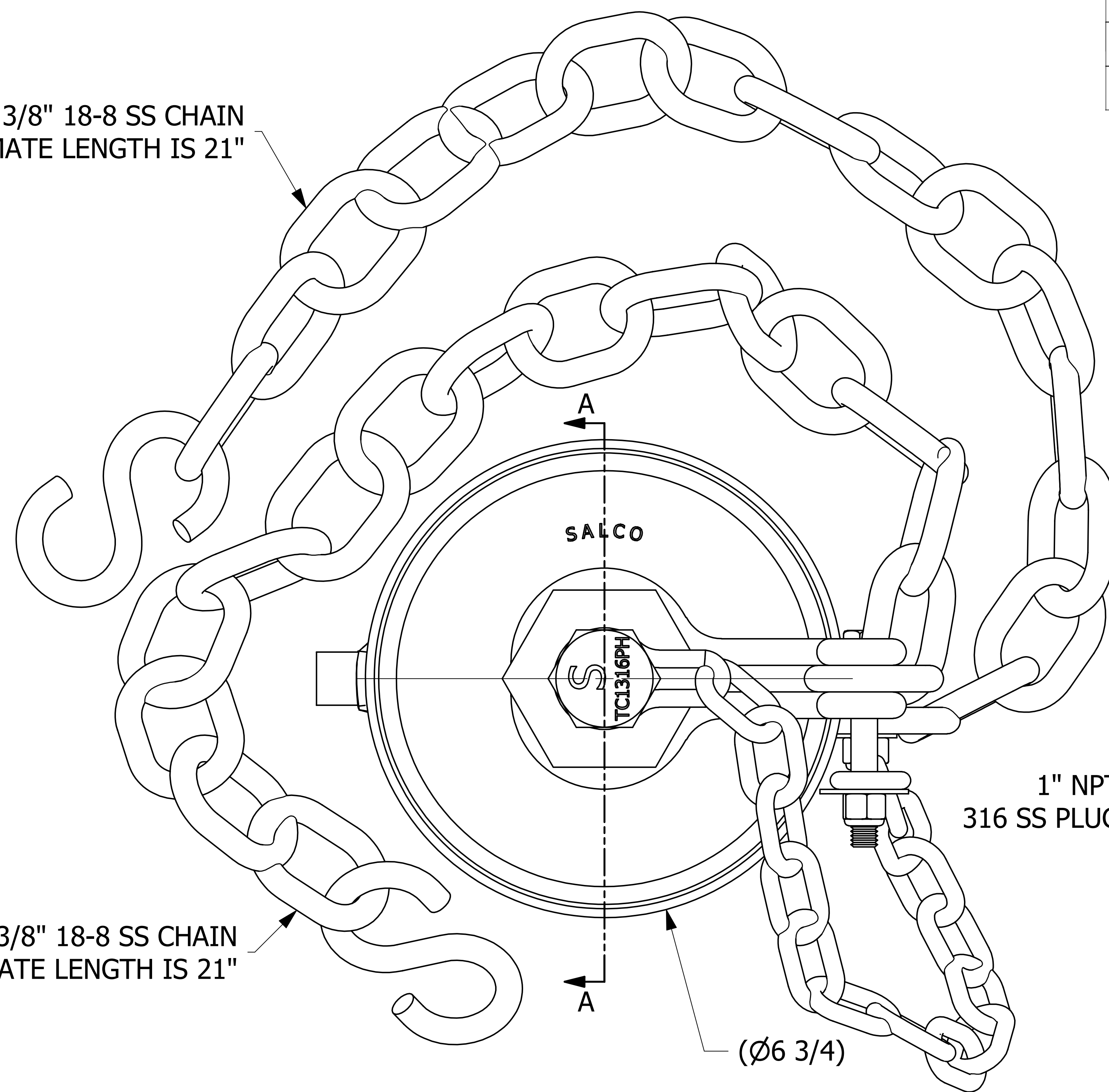
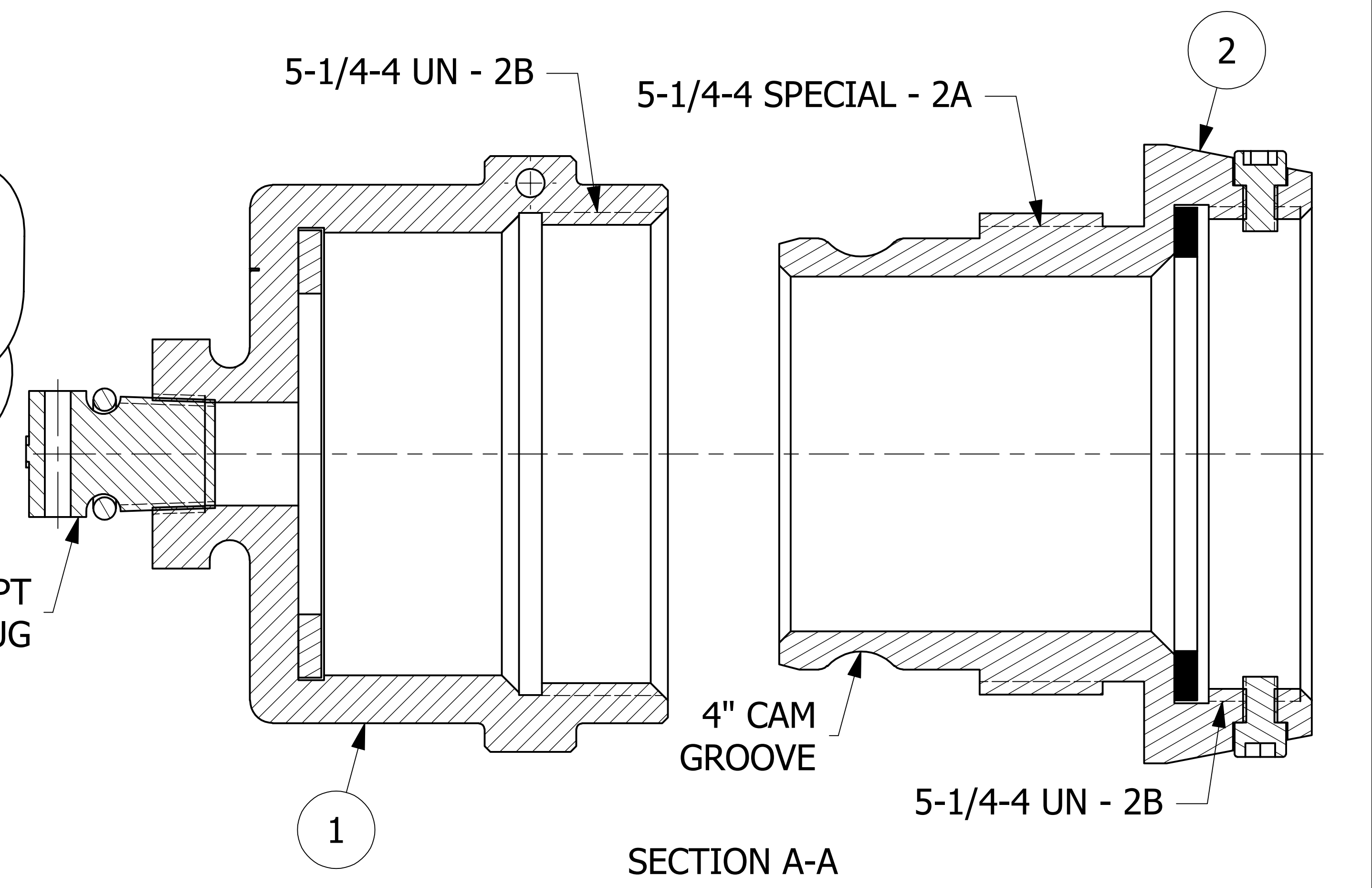


NO	PART NAME	PART#	REQ'D	MATERIAL
1	QUICK CONNECT CAP 4" THREADED	TE4S416DC2A	1	416 SS
2	QUICK CONNECT ADAPTER 4" THREAD ON	TE4SA2A	1	316 SS

15 LINKS OF 3/8" 18-8 SS CHAIN  
APPROXIMATE LENGTH IS 21"



15 LINKS OF 3/8" 18-8 SS CHAIN  
APPROXIMATE LENGTH IS 21"



- NOTES:**
1. UNLOADING ASSEMBLY IS DOT AND AAR APPROVED.
  2. AAR APPROVAL # IS E-149523.
  3. QUICK CONNECT MEETS A-A-59326D.
  4. SET SCREW SECURE ADAPTER WHEN CAP IS REMOVED.
  5. APPROXIMATE HEIGHT IS 8 3/4".
  6. GASKET MATERIAL IS FDA WHITE NITRILE.
  7. 5 1/4-4 UN THREADS CONFORM TO FIGURE E18 OF THE AAR TANK CAR MANUAL.

B	RJP	9-28-16	AAR APPROVAL# WAS E-049013,A-A-59326D WAS MIL-C-27487G, UPDATED GEOMETRY OF TE4S416DC2A
A	BG	7-16-12	NEW PART ADDED TO NETWORK
REV	BY	DATE	DESCRIPTION

<small>UNLESS OTHERWISE SPECIFIED DIMENSIONAL TOLERANCES</small> <small>FRACTIONAL: ±1/16</small> <small>X.XX: ±.03</small> <small>X.XXX: ±.015</small> <small>ANGULAR: ±1°</small> <small>DEBURR ALL SHARP EDGES. ALL MACHINED SURFACES TO HAVE A 125 RMS FINISH UNLESS NOTED OTHERWISE.</small> <small>THIRD ANGLE PROJECTION</small>	DRAWN BY:	OA
	CHECKED BY:	CHL
	PROTOTYPE BY:	OA
	PROTOTYPE DATE:	7/31/2012
	APPROVED FOR PRODUCTION BY:	CHL
	PRODUCTION DATE:	7/12/2012

**SALCO PRODUCTS, INC.**

**QUICK CONNECT 4" THREAD ON**

MATERIAL: **SEE BOM**

PROJECT #: **090219** SHEET #: **1 OF 1** SCALE: **3:4**

DRAWING #: **D33888** PART #: **TE4S416SU2A**

THIS PRINT, PROPERTY OF SALCO PRODUCTS INC. CONTAINS PROPRIETARY INFORMATION AND MUST NOT BE COPIED, REPRODUCED, OR USED DETRIMENTALLY TO OUR INTEREST.