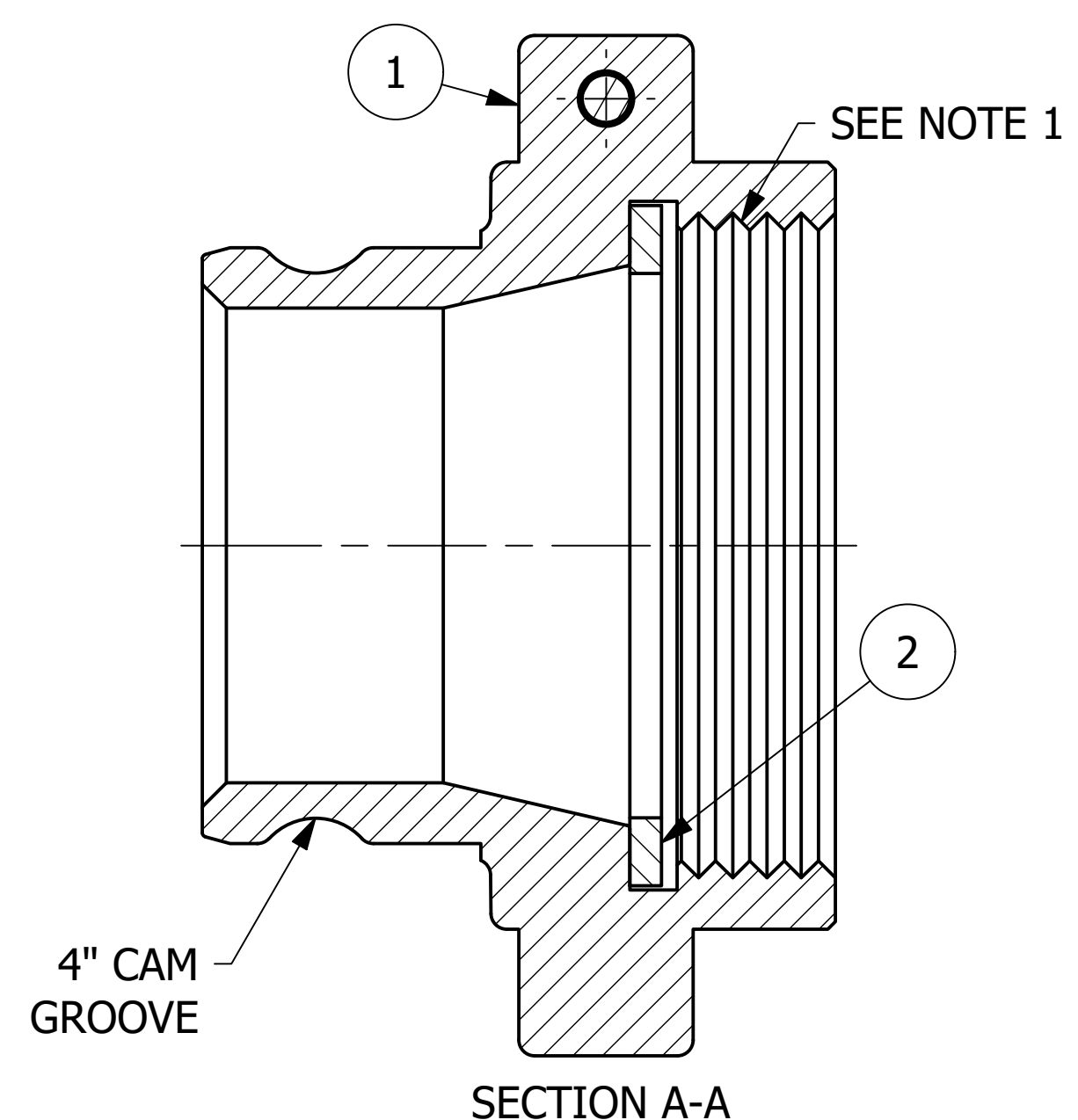
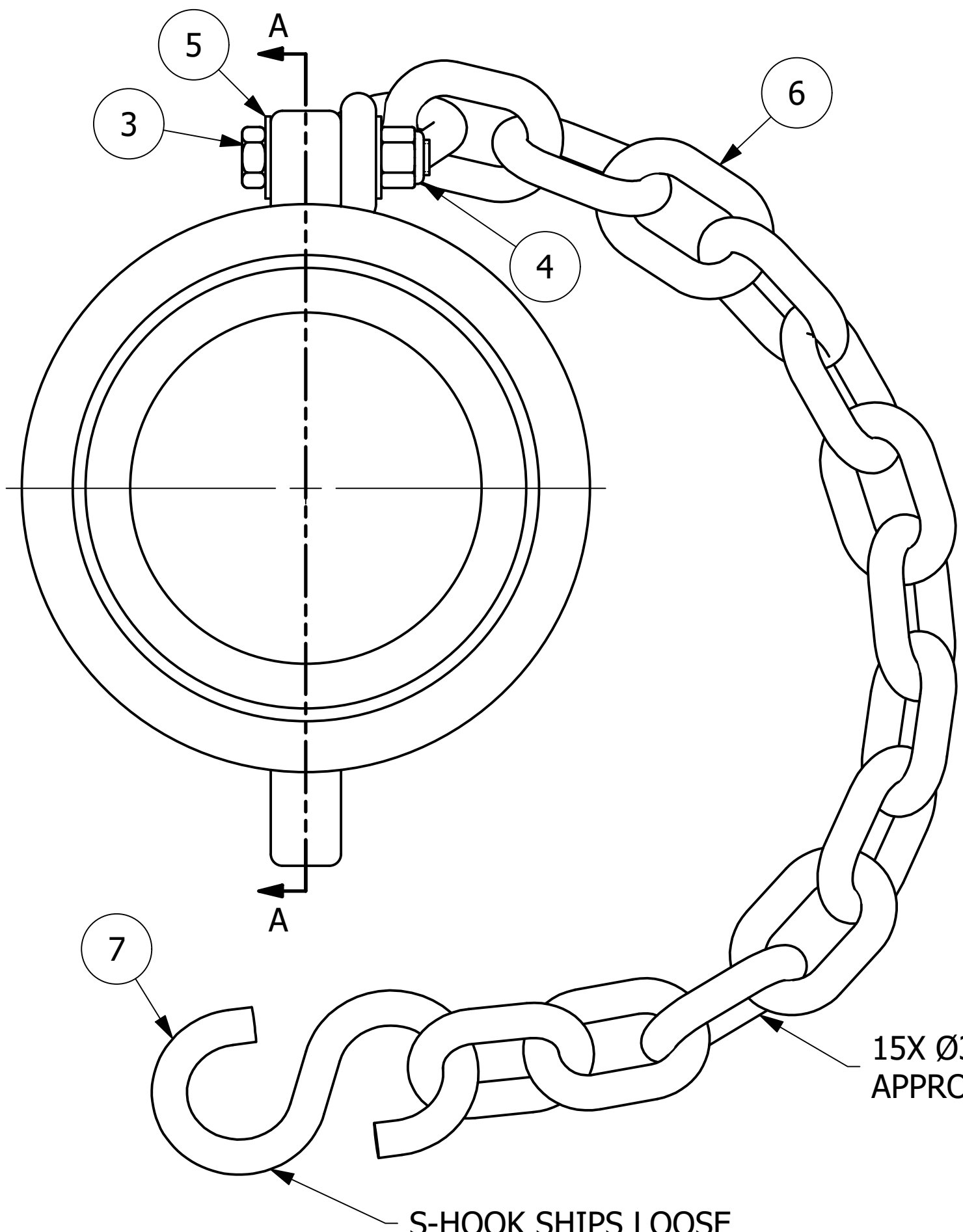


NOTES:

1. 5-1/4"-4 UN 2B THREADS CONFORM TO ANSI B1.1 STANDARD AND FIGURE E18 FROM AAR TANK CAR MANUAL.
2. THIS ASSEMBLY IS NOT DOT APPROVED AND CAN BE USED ONLY ON AAR STENCILED CARS.
3. QUICK DISCONNECT MEETS A-A-59326D.
4. ADAPTER IS ASTM A743 GRADE CF-8M 316SS.
5. AAR APPROVAL # E-232133.

NO.	PART NAME	PART#	REQ'D	MATERIAL
1	QUICK CONNECT ADAPTER 4" THREAD ON	K4SA	1	316 SS
2	ADAPTER GASKET 5 1/4" RR	SSA4G3	1	BLACK EPDM SC
3	HEX BOLT 3/8"-16X1 3/4"	EA111BS	1	18-8 SS
4	HEX LOCK NUT 3/8"-16	RP103MN	1	18-8 SS/NYLON
5	FLAT WASHER 3/8"	RP103MW	2	18-8 SS
6	CHAIN LINK 3/8"	SC80	16	18-8 SS
7	S-HOOK 3/8"X3 1/2"	SC38SHS	1	18-8 SS



C	RPS	4/12/24	AAR APPROVAL # WAS E-139514
B	RJP	11/1/13	AAR APPROVAL # WAS E-039015 MIL SPEC WAS MIL-C-27487G
A	CHL	1/7/04	AAR APPROVAL # WAS E-939034
REV	BY	DATE	DESCRIPTION

UNLESS OTHERWISE SPECIFIED DIMENSIONAL TOLERANCES FRACTIONAL: ±1/16 X.XX: ±.03 X.XXX: ±.015 ANGLE: ±1° DEBURR ALL SHARP EDGES. ALL MACHINED SURFACES TO HAVE A 125 RMS FINISH UNLESS NOTED OTHERWISE THIRD ANGLE PROJECTION	DRAWN BY: CHL CHECKED BY: ACC PROTOTYPE DATE: 2/11/2003 APPROVED FOR PRODUCTION BY: ACC PRODUCTION DATE: 2/11/2003 SIZE: C DRAWING #: 17655
---	---

SALCO PRODUCTS, INC.

PART NAME: **QUICK CONNECT ADAPTER 4" THREAD ON**

MATERIAL: **SEE BOM**

PROJECT #: SHEET #: **1 OF 1** SCALE: **3:4**

PART #: **K4SA3A**