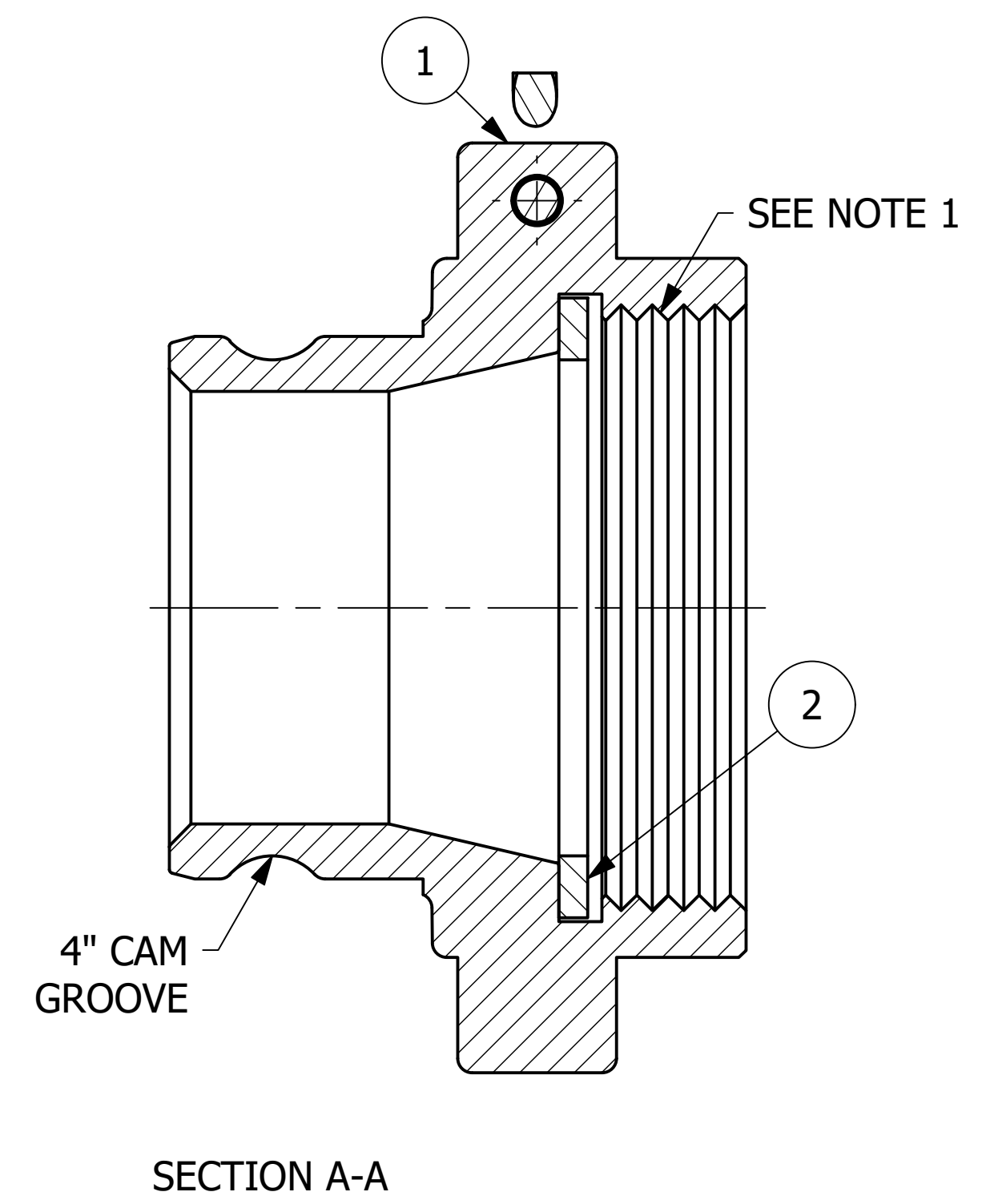
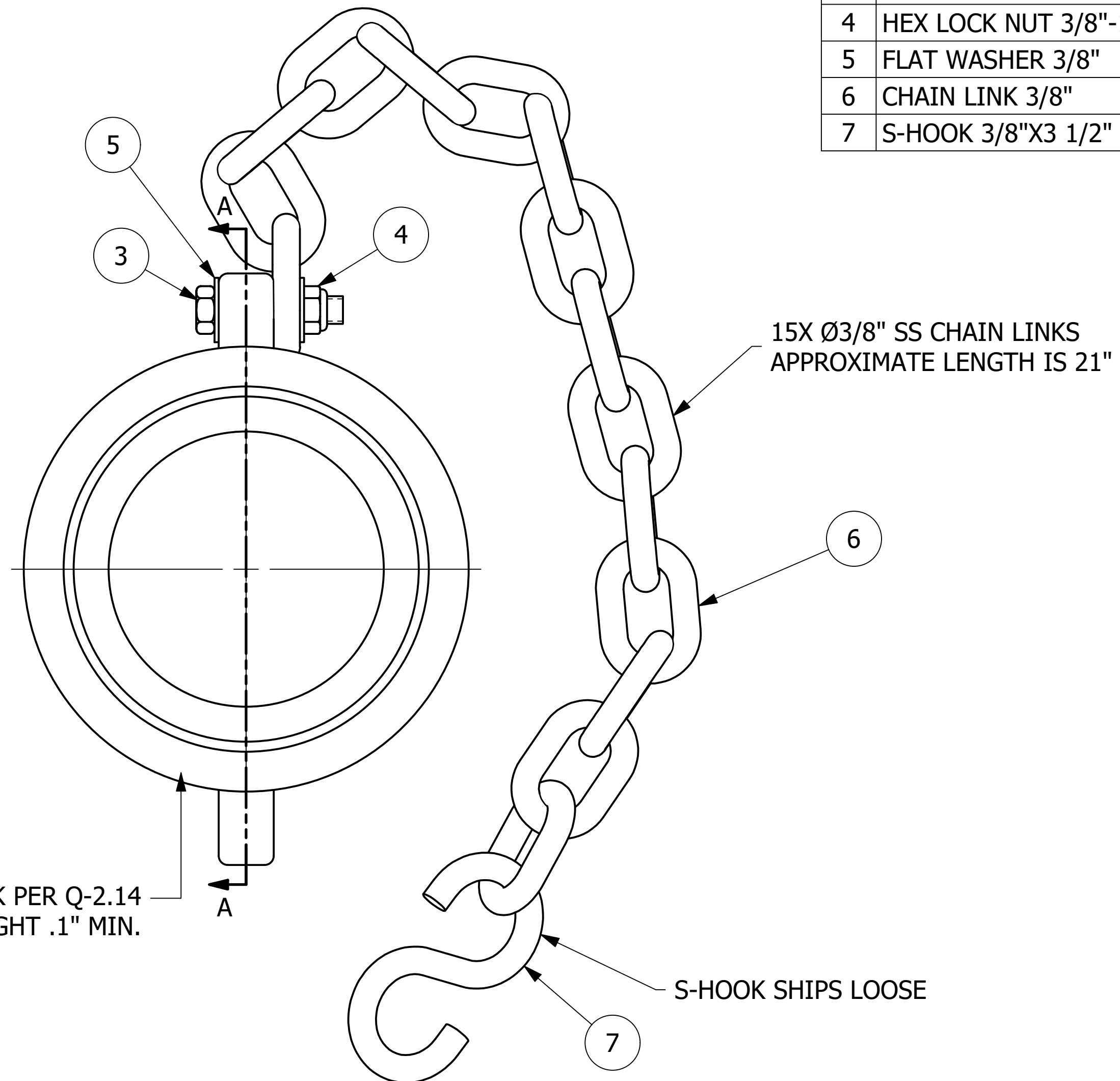


NO.	PART NAME	PART #	REQ'D	MATERIAL
1	QUICK CONNECT ADAPTER 4" THREAD ON	K4SA	1	316 SS
2	ADAPTER GASKET 5 1/4" RR	SSA4GW	1	WHITE FDA NITRILE
3	HEX BOLT 3/8"-16X1 3/4"	EA111BS	1	18-8 SS
4	HEX LOCK NUT 3/8"-16	RP103MN	1	18-8 SS/NYLON
5	FLAT WASHER 3/8"	RP103MW	2	18-8 SS
6	CHAIN LINK 3/8"	SC80	16	18-8 SS
7	S-HOOK 3/8"X3 1/2"	SC38SHS	1	18-8 SS



MARK PER Q-2.14
TEXT HEIGHT .1" MIN.

- NOTES:
- 5-1/4"-4 UN 2B THREADS CONFORM TO ANSI B1.1 STANDARD AND FIGURE E18 FROM AAR TANK CAR MANUAL.
 - THIS ASSEMBLY IS NOT DOT APPROVED AND CAN BE USED ONLY ON AAR STENCILED CARS.
 - QUICK DISCONNECT MEETS A-A-59326D.
 - ADAPTER IS 316ASTM A351 OR A743 GRADE CF8M 316 SS
 - AAR APPROVAL # E-232133.
 - SEE DOCUMENT Q-2.14 FOR MARKING PROCEDURE.

REV	BY	DATE	DESCRIPTION
D	RPS	4/4/24	AAR APPROVAL # WAS E-139514.
C	BP	12/9/21	UPDATED TO NEW STANDARDS: UPDATED THE NOTES
B	RJP	11/1/13	AAR APPROVAL # WAS E-039015 MIL SPEC WAS MIL-C-27487G
A	CHL	1/6/04	AAR APPROVAL # WAS E-939034

UNLESS OTHERWISE SPECIFIED DIMENSIONAL TOLERANCES FRACTIONAL: ±1/16 X.XX: ±.03 X.XXX: ±.015 ANGLE: ±1° DEBURR ALL SHARP EDGES. ALL MACHINED SURFACES TO HAVE A 125 RMS FINISH UNLESS NOTED OTHERWISE THIRD ANGLE PROJECTION	DRAWN BY: FOD CHECKED BY: ACC PROTOTYPE DATE: 3/13/2000 APPROVED FOR PRODUCTION BY: ACC PRODUCTION DATE: 3/13/2000 SIZE: C DRAWING #: 14159
---	---

SALCO PRODUCTS, INC.

PART NAME: **QUICK CONNECT ADAPTER 4" THREAD ON**

MATERIAL: **SEE BOM**

PROJECT #: **000310** SHEET #: **1 OF 1** SCALE: **3:4**

PART #: **K4SA2A**