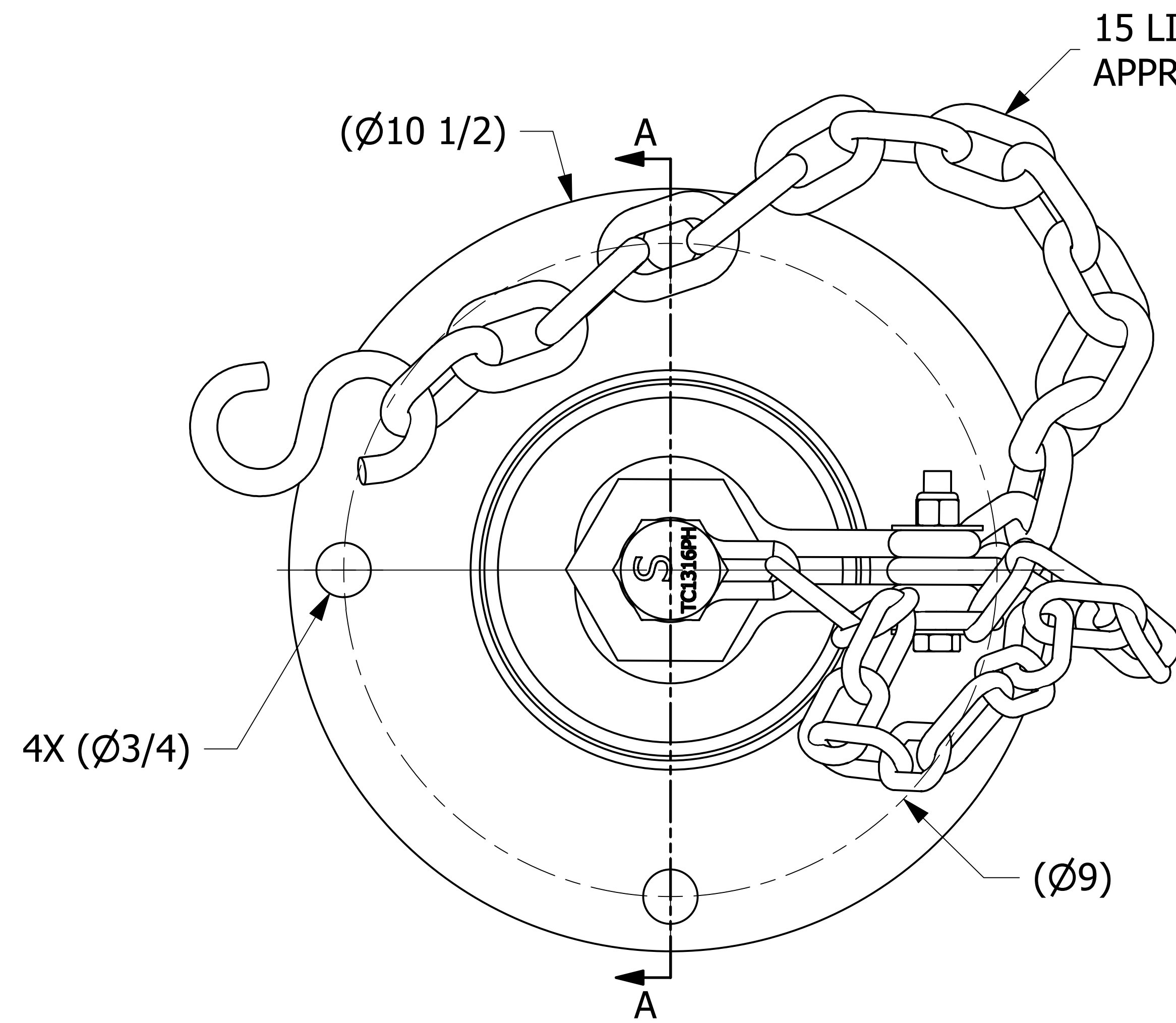
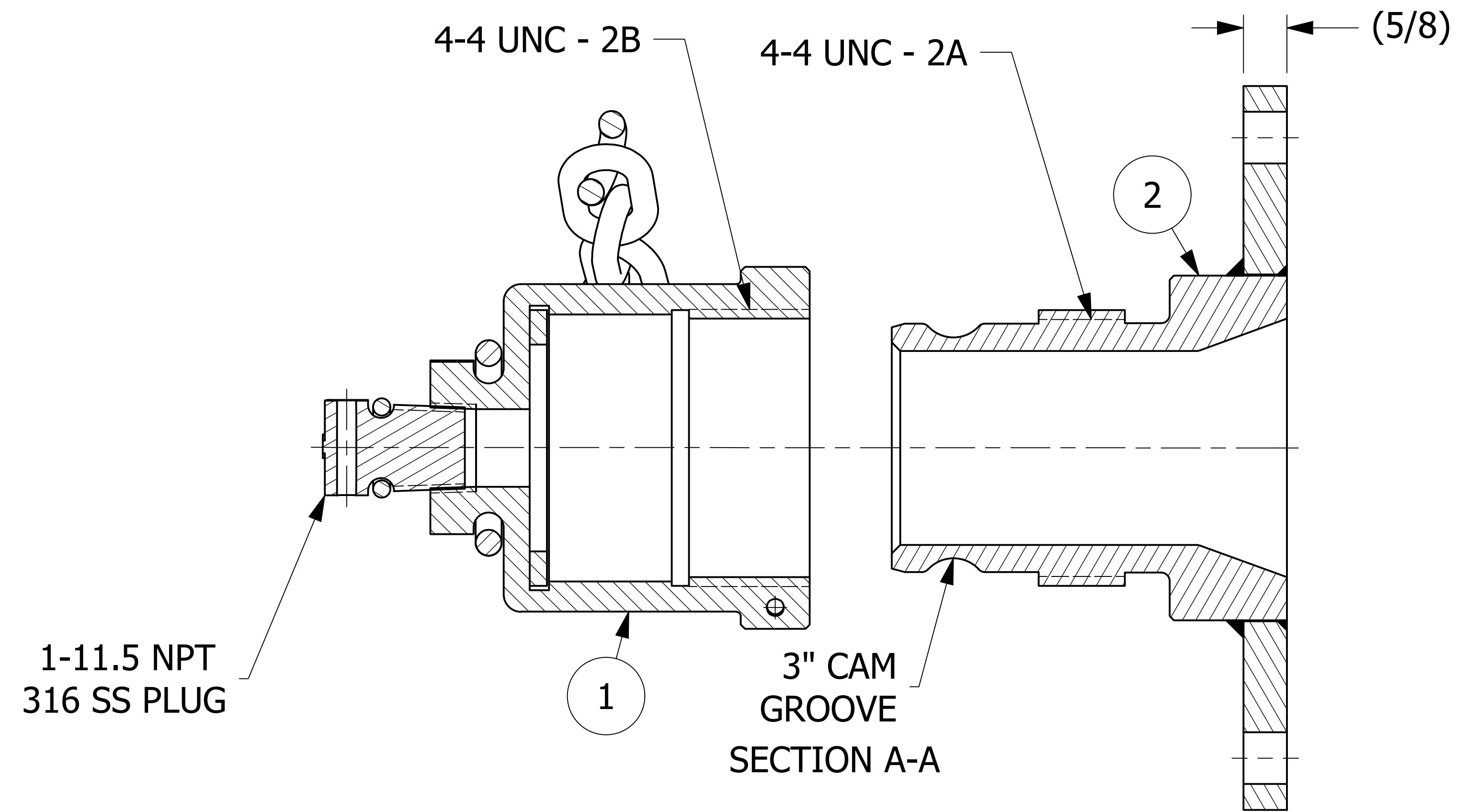


NO	PART NAME	PART #	REQ'D	MATERIAL
1	QUICK CONNECT CAP 3" THREADED	TE3S416DC173A	1	416 SS
2	QUICK CONNECT ADAPTER 3" FLANGED	TE4X3SF	1	316 SS



15 LINKS OF 3/8" 18-8 SS CHAIN  
APPROXIMATE LENGTH IS 21"



NOTES:

1. AAR APPROVAL# E-149523.
2. GASKET MATERIAL: FDA WHITE VITON A.
3. FITS JAMESBURY 4" BALL VALVE (9.00" BC).
4. APPROXIMATE HEIGHT = 9".
5. THIS ASSEMBLY IS AAR AND DOT APPROVED.
6. QUICK CONNECT MEETS A-A-59326D.

B	RJP	10/30/17	UPDATED TE3S416DC173A TO LIPPED CAP DESIGN
A	JG	6/16/16	RELEASED FOR PRODUCTION
REV	BY	DATE	DESCRIPTION

UNLESS OTHERWISE SPECIFIED DIMENSIONAL TOLERANCES FRACTIONAL: ±1/16 X.XX: ±.03 X.XXX: ±.015 ANGULAR: ±1° DEBURR ALL SHARP EDGES. ALL MACHINED SURFACES TO HAVE A 125 RMS FINISH UNLESS NOTED OTHERWISE. THIRD ANGLE PROJECTION	DRAWN BY:	JG
	CHECKED BY:	JRO
	PROTOTYPE DATE:	6/16/2016
	APPROVED FOR PRODUCTION BY:	MJW
	PRODUCTION DATE:	6/16/2016
	SIZE:	D
DRAWING #:	43872	

**SALCO PRODUCTS, INC.**

PART NAME: **QUICK CONNECT 3" FLANGED**

MATERIAL: **SEE BOM**

PROJECT #: **R160610F** SHEET #: **1** SCALE: **3:4**

PART #: **TE4X3S416SF0173A**