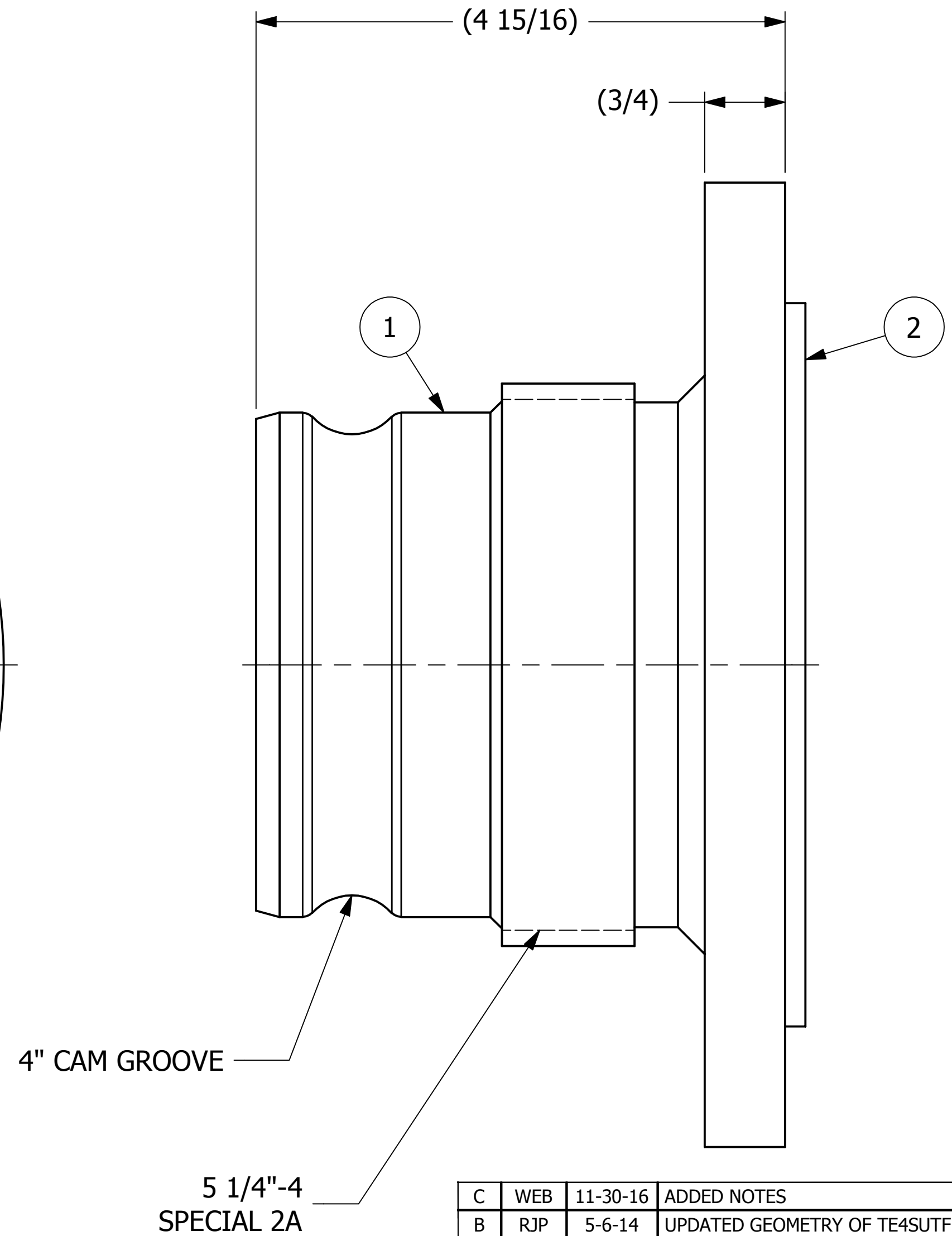
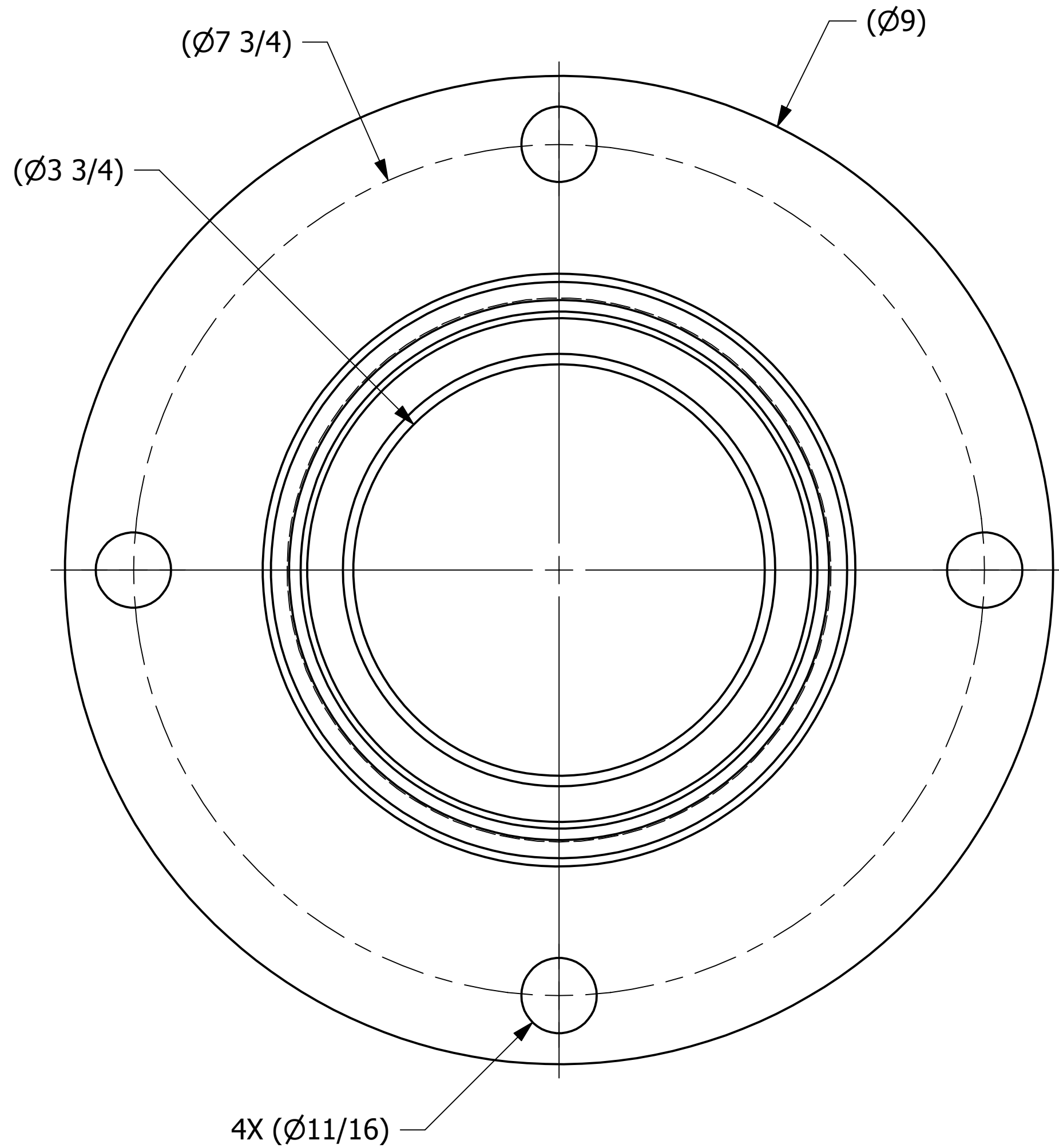


NO.	PART NAME	PART#	REQ'D	MATERIAL
1	QUICK CONNECT ADAPTER 4" FLANGED	TE4SUTF	1	316 SS
2	GASKET 3/16" X 4" X 6 3/4"	FG467503	1	BLACK EPDM SC



- NOTES:
1. FITS 7.75" BOLT CIRCLE.
  2. AAR APPROVAL # E-149523.
  3. THIS ASSEMBLY IS AAR AND DOT APPROVED.
  4. QUICK DISCONNECT MEETS A-A-59326D.

REV	BY	DATE	DESCRIPTION
C	WEB	11-30-16	ADDED NOTES
B	RJP	5-6-14	UPDATED GEOMETRY OF TE4SUTF
A	WEB	1-22-13	RELEASED FOR PRODUCTION

<small>UNLESS OTHERWISE SPECIFIED DIMENSIONAL TOLERANCES FRACTIONAL: <math>\pm 1/16</math> X.XX: <math>\pm .03</math> X.XXX: <math>\pm .015</math> ANGLE: <math>\pm 1^\circ</math> DEBURR ALL SHARP EDGES. ALL MACHINED SURFACES TO HAVE A 125 RMS FINISH UNLESS NOTED OTHERWISE.</small>	DRAWN BY:	WEB
	CHECKED BY:	CHL
	PROTOTYPE BY:	WEB
	PROTOTYPE DATE:	1/22/2013
	APPROVED FOR PRODUCTION BY:	WEB
	PRODUCTION DATE:	1/21/2013

<b>SALCO PRODUCTS, INC.</b>		
PART NAME: <b>QUICK CONNECT ADAPTER 4" FLANGED</b>		
MATERIAL: <b>SEE BOM</b>		
PROJECT #: <b>090219</b>	SHEET #: <b>1 OF 1</b>	SCALE: <b>1:1</b>
DRAWING #: <b>C35191</b>	PART #: <b>TE4SUTF3</b>	