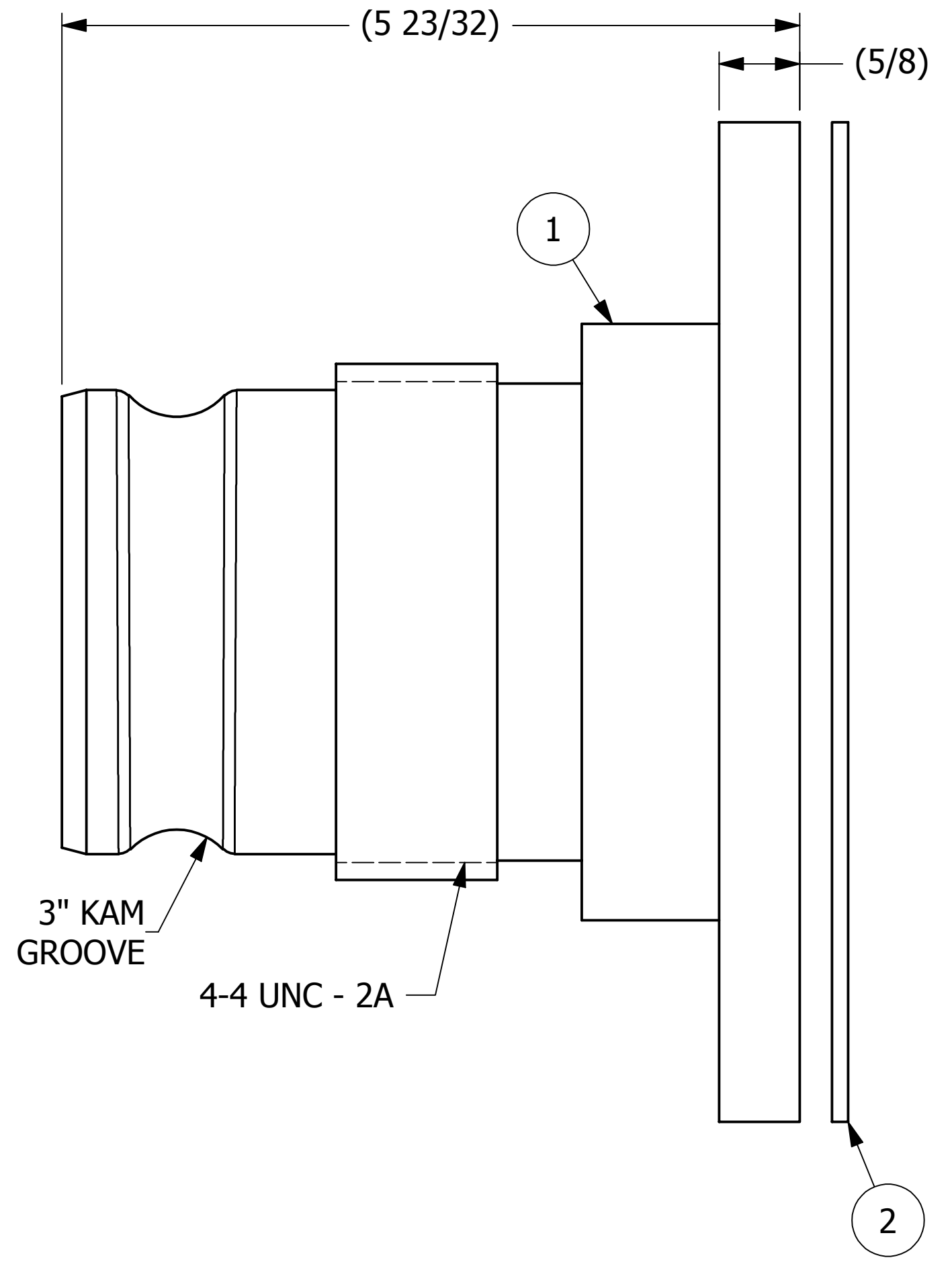
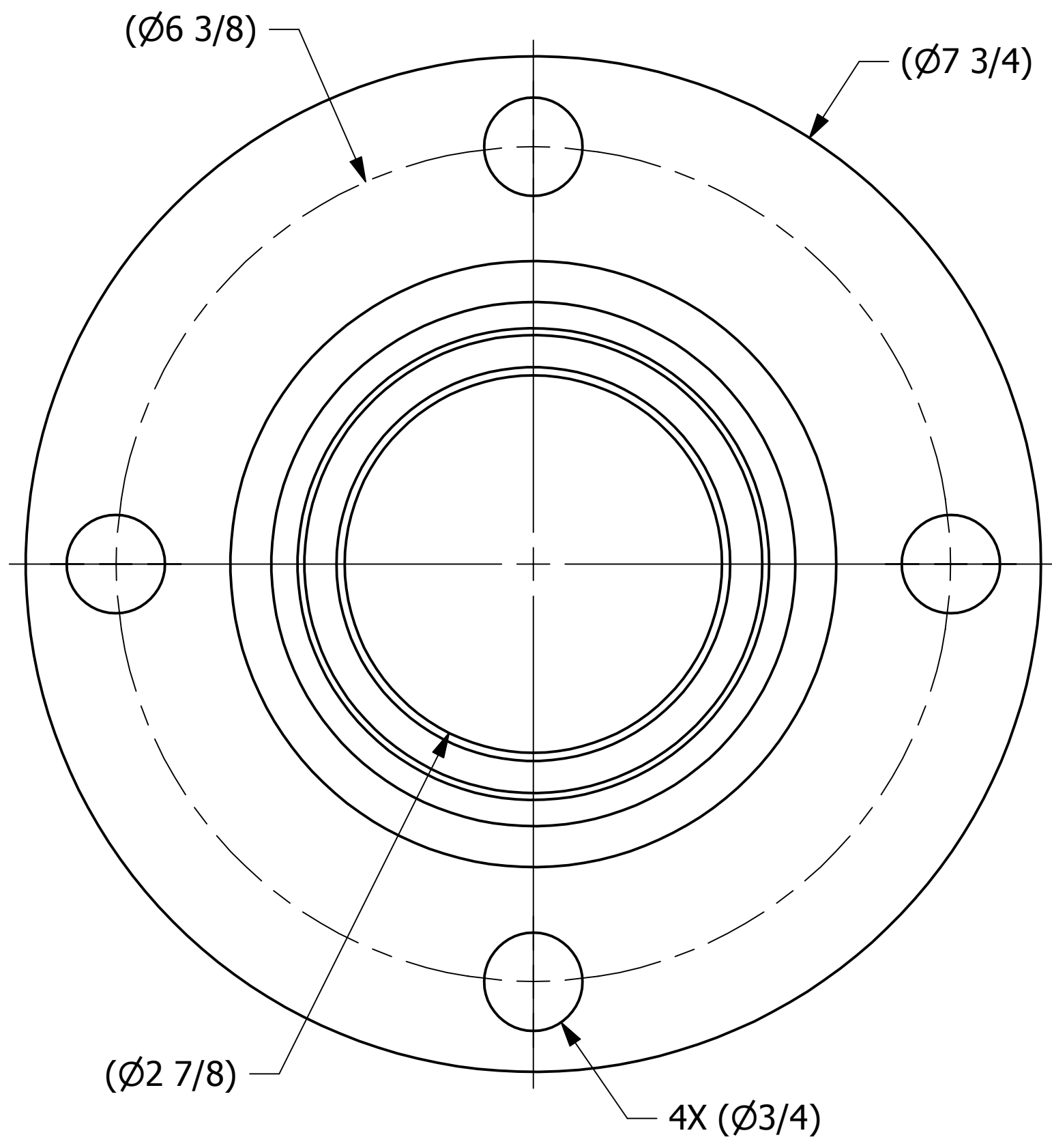


NO.	PART NAME	PART#	REQ'D	MATERIAL
1	QUICK CONNECT ADAPTER 3" FLANGED	TE3SACFFM	1	316 SS
2	FLANGE GASKET 3"	FG63802	1	FDA WHITE NITRILE



- NOTES:  
 1. AAR APPROVAL # E-149523.  
 2. THIS ASSEMBLY IS AAR AND DOT APPROVED.  
 3. QUICK DISCONNECT MEETS A-A-59326D.

REV	BY	DATE	DESCRIPTION
B	WEB	7-10-15	E-149523 WAS E-949047, NEW TITLEBLOCK A-A-59326D WAS MIL-C-27487G
A	BG	12/4/12	NEW PART ADDED TO THE NETWORK

UNLESS OTHERWISE SPECIFIED DIMENSIONAL TOLERANCES FRACTIONAL: $\pm 1/16$ X.XX: $\pm .03$ X.XXX: $\pm .015$ ANGLE: $\pm 1^\circ$ DEBURR ALL SHARP EDGES. ALL MACHINED SURFACES TO HAVE A 125 RMS FINISH UNLESS NOTED OTHERWISE. THIRD ANGLE PROJECTION	DRAWN BY:	CHL
	CHECKED BY:	VD
	PROTOTYPE BY:	CHL
	PROTOTYPE DATE:	11/17/2009
	APPROVED FOR PRODUCTION BY:	VD
	PRODUCTION DATE:	12/4/2012

**SALCO PRODUCTS, INC.**

PART NAME: **QUICK CONNECT 3" FLANGED**

MATERIAL: **SEE BOM**

PROJECT #: **WAG0748** SHEET #: **1 OF 1** SCALE: **1:1**

DRAWING #: **C27773** PART #: **TE3SACFFM02A**