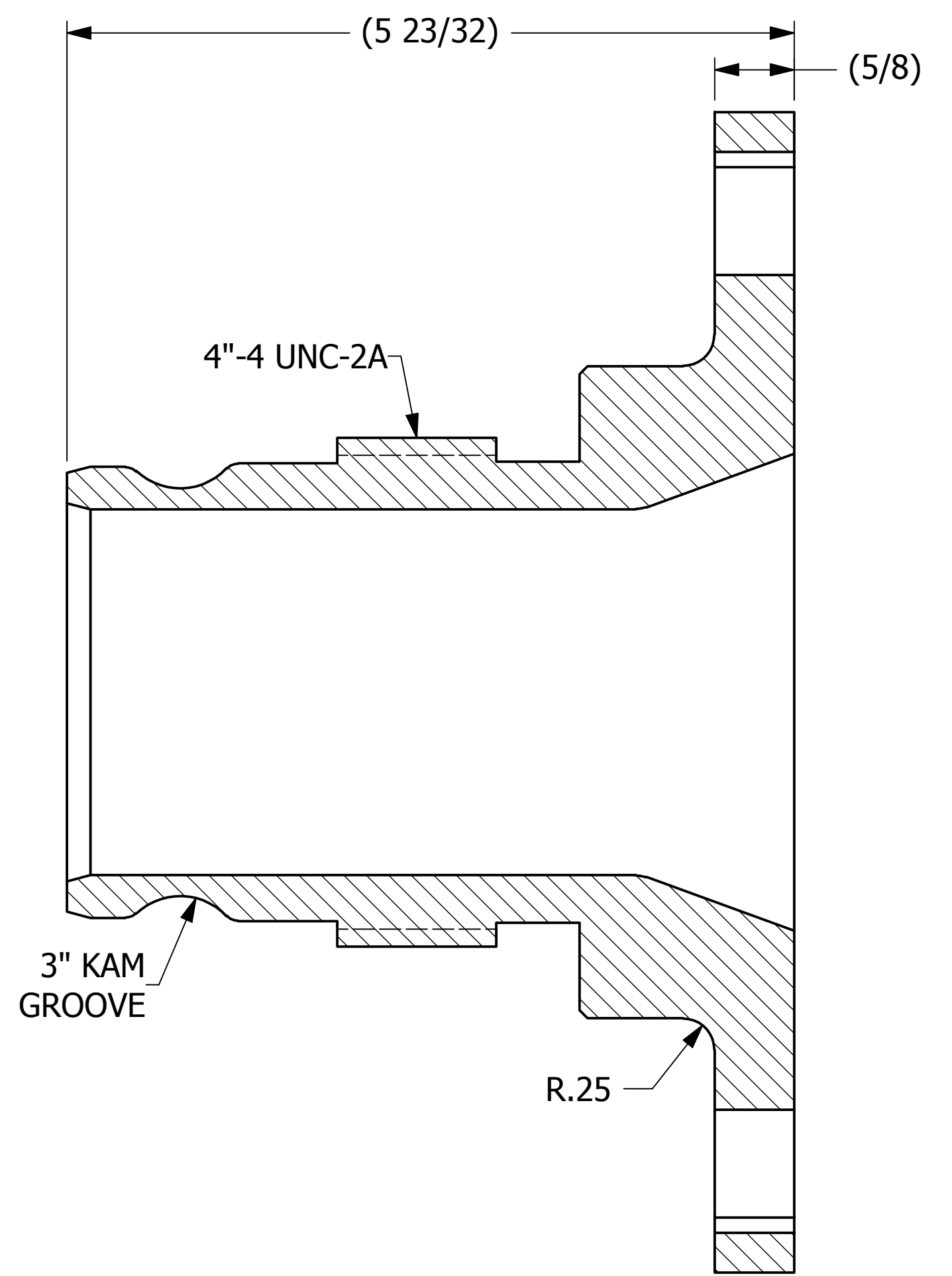
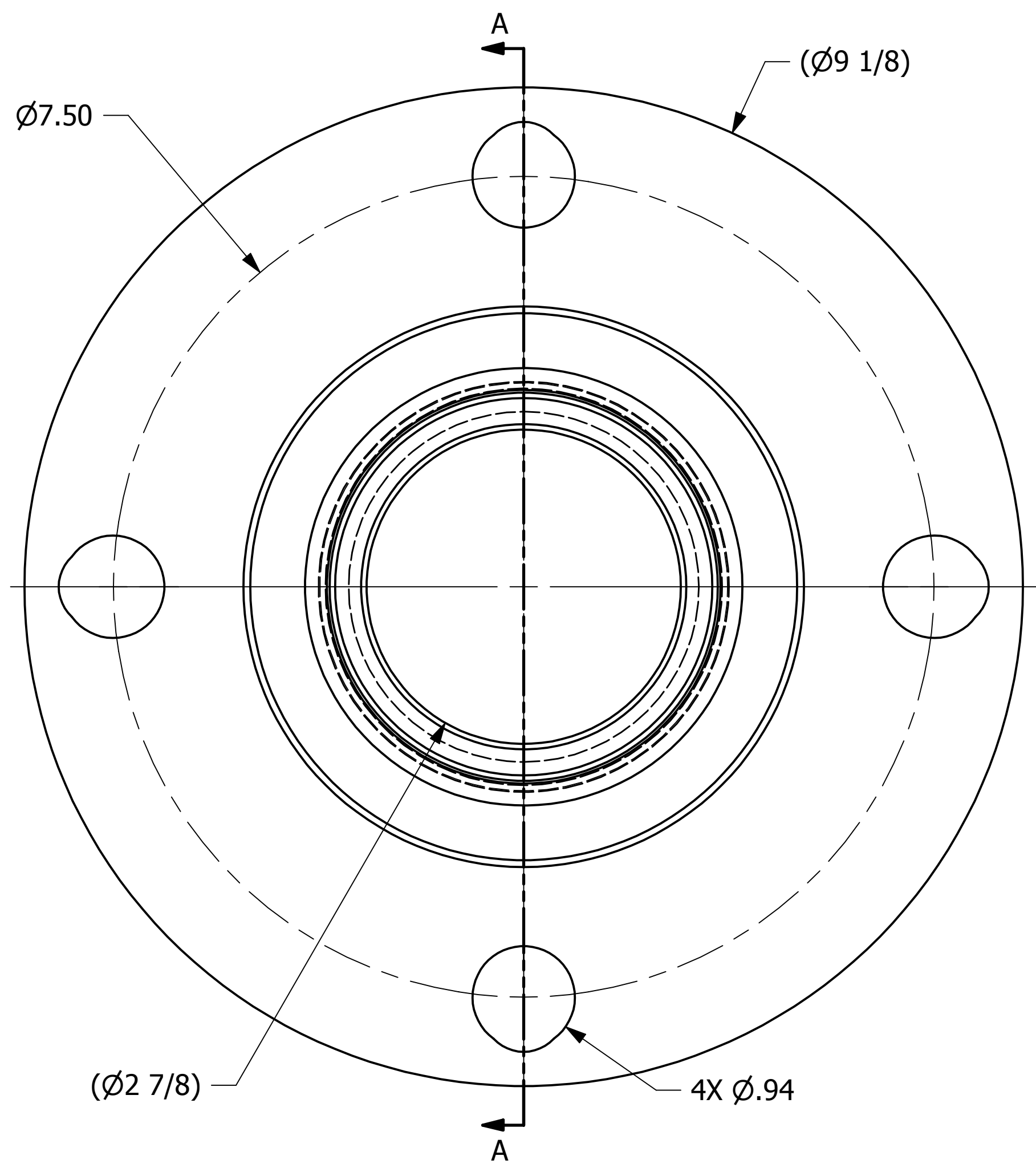


NO.	PART NAME	PART #	REQ'D	MATERIAL
1	QUICK CONNECT 3" FLANGED	TE4X3SFUT	1	316 SS



SECTION A-A

NOTES:
 1. TEST PER QAP4C-1.
 2. SEE DOCUMENT QAP5A-1 FOR MARKING PROCEDURE.

<small>UNLESS OTHERWISE SPECIFIED DIMENSIONAL TOLERANCES</small> FRACTIONAL: ±1/16 X.XX: ±.03 X.XXX: ±.015 ANGLE: ±1° <small>THIS PRINT, PROPERTY OF SALCO PRODUCTS INC, CONTAINS PROPRIETARY INFORMATION AND MUST NOT BE COPIED, REPRODUCED, OR USED DETRIMENTALLY TO OUR INTEREST.</small>	DRAWN BY:	CHL
	CHECKED BY:	WRB
	PROTOTYPE BY:	CHL
	PROTOTYPE DATE:	9/10/2008
	APPROVED FOR PRODUCTION BY:	
	PRODUCTION DATE:	

A	REH	10-19-11	ADDED HEAT/LOT NOTE
REV	BY	DATE	DESCRIPTION
SALCO PRODUCTS, INC.			
PART NAME: QUICK CONNECT 3" FLANGED			
MATERIAL: SEE BOM			
PROJECT #: WAG0616		SHEET #: 1 OF 1	SCALE: 1:1
DRAWING #: C25959		PART #: TE3750SF	

