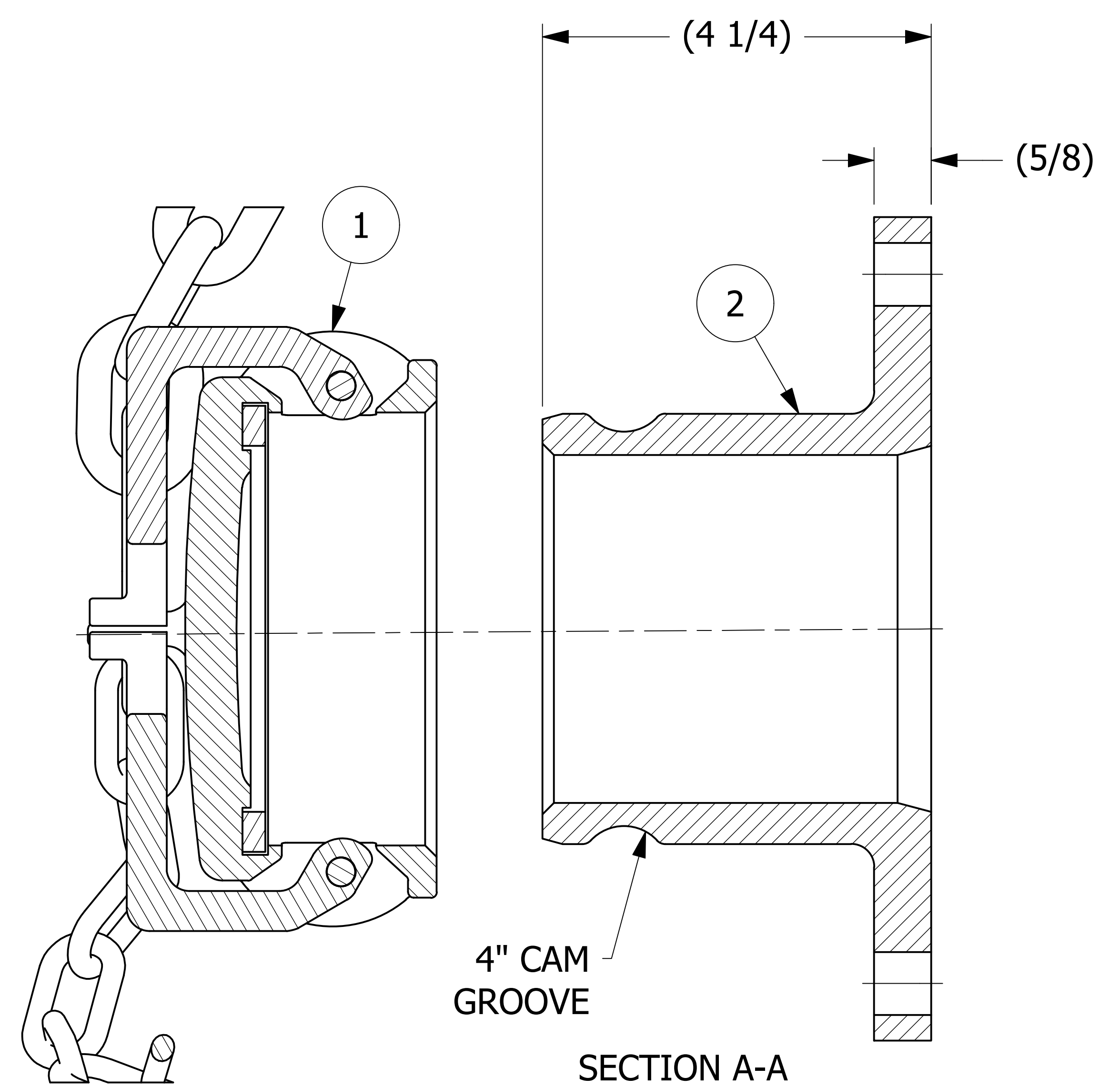


NO.	PART NAME	PART #	REQ'D	MATERIAL
1	QUICK CONNECT CAP ASSEMBLY 4"	K4ICDC2A	1	DUCTILE IRON
2	QUICK CONNECT ADAPTER 4" FLANGED	K4ITF	1	DI



- NOTES:**
1. APPROXIMATE HEIGHT = 6-7/8".
 2. AAR APPROVAL # E-232133.
 3. THIS ASSEMBLY IS NOT DOT APPROVED AND CAN BE USED ONLY ON AAR STENCILED CARS.
 4. QUICK DISCONNECT MEETS A-A-59326D.
 5. CAP GASKET IS FDA WHITE NITRILE.
 6. SPRAY WITH USDA APPROVED WHITE MINERAL OIL OR VEGETABLE OIL AS A RUST INHIBITOR.
 7. FITS TRINITY/UNION TANK 4" BALL VALVE (7.75" B.C.).

B	RPS	4/10/24	AAR APPROVAL # WAS E-139514.	
A	JG	10/4/16	RELEASED FOR PRODUCTION	
REV	BY	DATE	DESCRIPTION	
SALCO PRODUCTS, INC.				
PART NAME: QUICK CONNECT ASSEMBLY 4" FLANGED				
MATERIAL: SEE BOM				
PROJECT #: R160926F			SHEET #: 1 OF 1	SCALE: 1:1
PART #: K4ITCUF02A				
UNLESS OTHERWISE SPECIFIED DIMENSIONAL TOLERANCES		DRAWN BY:	JG	
FRACTIONAL: ±1/16		CHECKED BY:	EJF	
X.XX: ±.03		PROTOTYPE DATE:	9/26/2016	
X.XXX: ±.015		APPROVED FOR PRODUCTION BY:	VD	
ANGULAR: ±1°		PRODUCTION DATE:	10/4/2016	
DEBURR ALL SHARP EDGES. ALL MACHINED SURFACES TO HAVE A 125 RMS FINISH. UNLESS NOTED OTHERWISE.		SIZE:	D	
THIRD ANGLE PROJECTION		DRAWING #:	44361	