

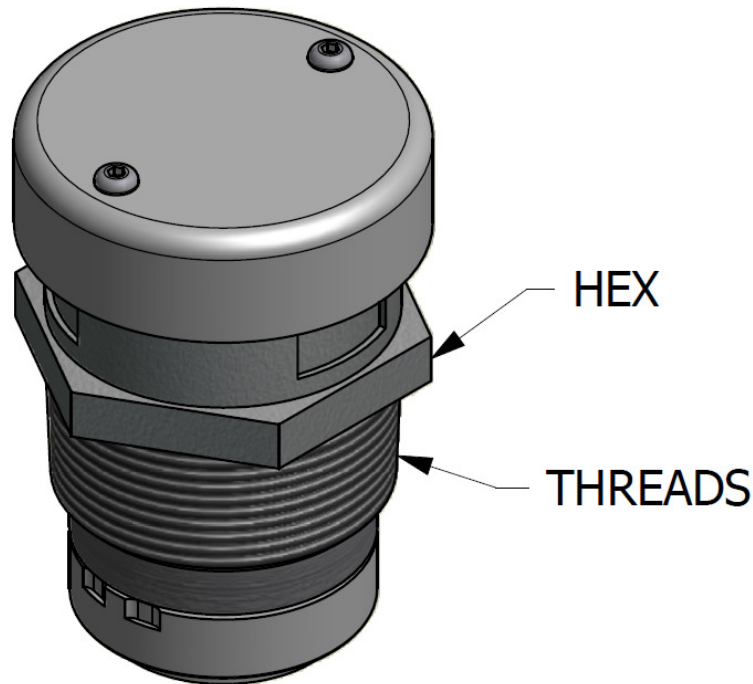


INSTALLATION INSTRUCTIONS FOR VACUUM RELIEF VALVES

Threaded Valves

The following procedure is a guide for the installation and removal of a Salco Products Threaded Vacuum Relief Valve (VRV). This procedure applies to both 1 ½” and 2 ½” threaded vacuum relief valves.

1. Ensure threads and valve body are clean and free of debris in order to assure proper thread engagement.
2. Apply PTFE tape or pipe compound to VRV threads in order to achieve a pressure tight seal. Whatever product is used, ensure it is compatible with the commodity.
3. Hand thread the VRV into car fitting to ensure no cross threading is occurring.
4. Wrench tighten the VRV using the hex portion of the valve body.
5. Leak test installation of VRV per car owner’s or facility maintenance instructions.



VVN25 Vacuum Relief Valve Shown



SALCO PRODUCTS, INC.

PDP3.02.2 - Rev 5

1385 101st St., Suite A • Lemont, IL 60439

(630) 783-2570 Fax (630) 783-2590

22311 Hufsmith-Kohrville • Tomball, TX 77375

(281) 351-0274 Fax (281) 351-1514

Flanged Valve

The following procedure is a guide for the installation of a Salco Products Flanged Vacuum Relief Valve (VRV). This procedure applies to all Salco Products flanged vacuum relief valves.

1. Ensure valve body sealing surface and tank car mating surface are clean and free of debris.
2. Apply the proper gasket to the mating surface of the tank car.
3. Apply the VRV to the joint making sure to align bolt holes.
4. Install the appropriate fasteners by hand.
5. Tighten the VRV fasteners using the appropriate procedure and specifications based on the sealing surface size, gasket material, bolt grade, and bolt lubrication.
6. Leak test installation of VRV per car owner's or facility maintenance instructions.



VVN15S6 Vacuum Relief Valve Shown



SALCO PRODUCTS, INC.

PDP3.02.2 - Rev 5

1385 101st St., Suite A • Lemont, IL 60439

(630) 783-2570 Fax (630) 783-2590

22311 Hufsmith-Kohrville • Tomball, TX 77375

(281) 351-0274 Fax (281) 351-1514

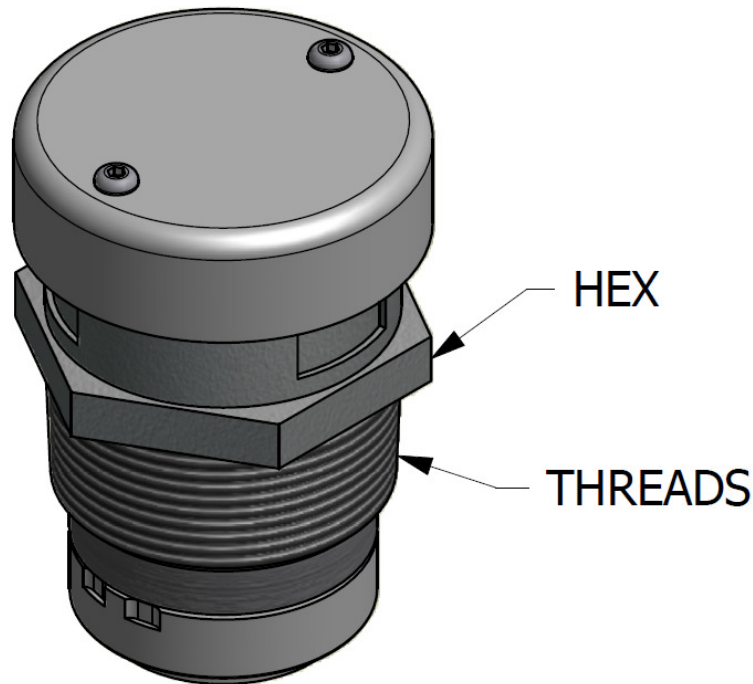


INSTALLATION INSTRUCTIONS FOR VACUUM RELIEF VALVES

Threaded Valves

The following procedure is a guide for the installation and removal of a Salco Products Threaded Vacuum Relief Valve (VRV). This procedure applies to both 1 ½” and 2 ½” threaded vacuum relief valves.

1. Ensure threads and valve body are clean and free of debris in order to assure proper thread engagement.
2. Apply PTFE tape or pipe compound to VRV threads in order to achieve a pressure tight seal. Whatever product is used, ensure it is compatible with the commodity.
3. Hand thread the VRV into car fitting to ensure no cross threading is occurring.
4. Wrench tighten the VRV using the hex portion of the valve body.
5. Leak test installation of VRV per car owner’s or facility maintenance instructions.



VVN25 Vacuum Relief Valve Shown



SALCO PRODUCTS, INC.

PDP3.02.2 - Rev 5

1385 101st St., Suite A • Lemont, IL 60439

(630) 783-2570 Fax (630) 783-2590

22311 Hufsmith-Kohrville • Tomball, TX 77375

(281) 351-0274 Fax (281) 351-1514

Flanged Valve

The following procedure is a guide for the installation of a Salco Products Flanged Vacuum Relief Valve (VRV). This procedure applies to all Salco Products flanged vacuum relief valves.

1. Ensure valve body sealing surface and tank car mating surface are clean and free of debris.
2. Apply the proper gasket to the mating surface of the tank car.
3. Apply the VRV to the joint making sure to align bolt holes.
4. Install the appropriate fasteners by hand.
5. Tighten the VRV fasteners using the appropriate procedure and specifications based on the sealing surface size, gasket material, bolt grade, and bolt lubrication.
6. Leak test installation of VRV per car owner's or facility maintenance instructions.



VVN15S6 Vacuum Relief Valve Shown



SALCO PRODUCTS, INC.

PDP3.02.2 - Rev 5

1385 101st St., Suite A • Lemont, IL 60439

(630) 783-2570 Fax (630) 783-2590

22311 Hufsmith-Kohrville • Tomball, TX 77375

(281) 351-0274 Fax (281) 351-1514