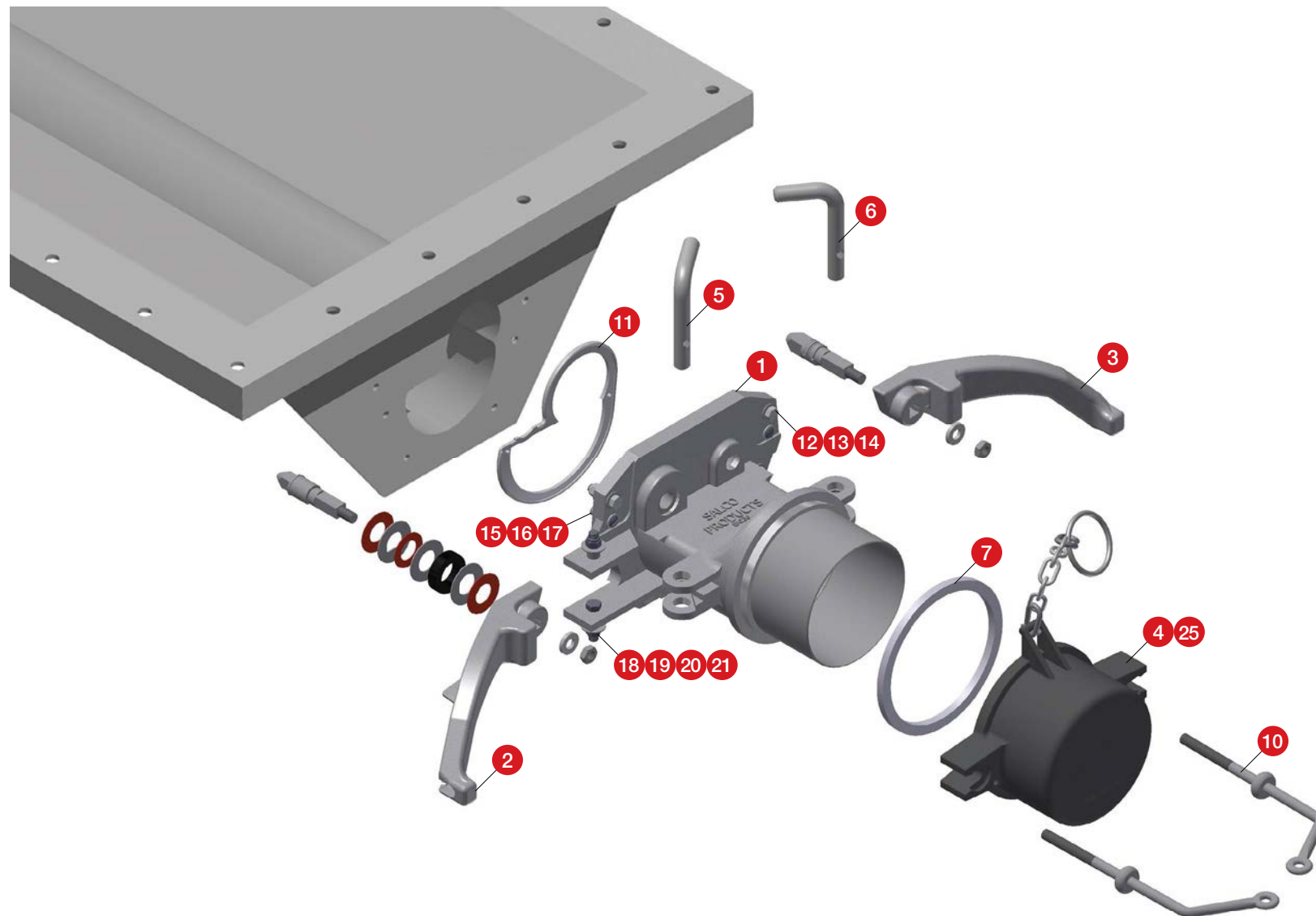


# ARI 5236 PNEUMATIC OUTLET GATE

HOPPER CAR

## REPLACEMENT PARTS



Number	Description	Part Number
1	End Adapter Full Assembly	EA236EA
2	Operating Handle (Left)	EA236OHL
3	Operating Handle (Right)	EA236OHR
4	Outlet Cap Assembly	RP205SCA
5	L Bolt 3/4" x 4 1/2"	AR3K492300
6	L Bolt 3/4" x 4 1/2"	AR3K492200
7	Outlet Nozzle Gasket 6 5/8" x 7 5/8"	ONG1115
8*	Pin Assembly (Left Hand Side)	EA236PA1
9*	Pin Assembly (Right Hand Side)	EA236PA2
10	Lock Arm	EA236LA
11	End Adapter Gasket	EAG206
12	Hex Lock Nut 3/8"-16	RP103MN
13	Flat Washer 3/8"	RP103MW
14	Hex Bolt 3/8"-16 x 1 1/2"	B20SS
15	Bolt 1/4" x 1/2"	FA-71809
16	Flat Washer 1/4"	WASH14SS
17	Bushing 1/4"	A34669
18	Hex Bolt 7/16" x 1 3/4"	FA-70160
19	Lock Nut 7/16"	FA-70863
20	Washer 7/16"	FA-0178028
21	Bushing 7/16"	A34681
22*	Bushing 3/4"	A35640
23*	Bushing 3/4"	A35641
24*	Gate Gasket	GG5236
25	Outlet Cap With Chain Assembly and Chain Bar	SCB205A
26*	Tamper Resistant Bolt	AR2U721000
27*	Torqx Wrench	AR91000132
28*	Mounting Bolt Kit (1/2"-13" x 2")	MBKA200
29*	Mounting Bolt Kit (1/2"-13" x 2 1/4")	MBKA225

\* Items Not On Drawing