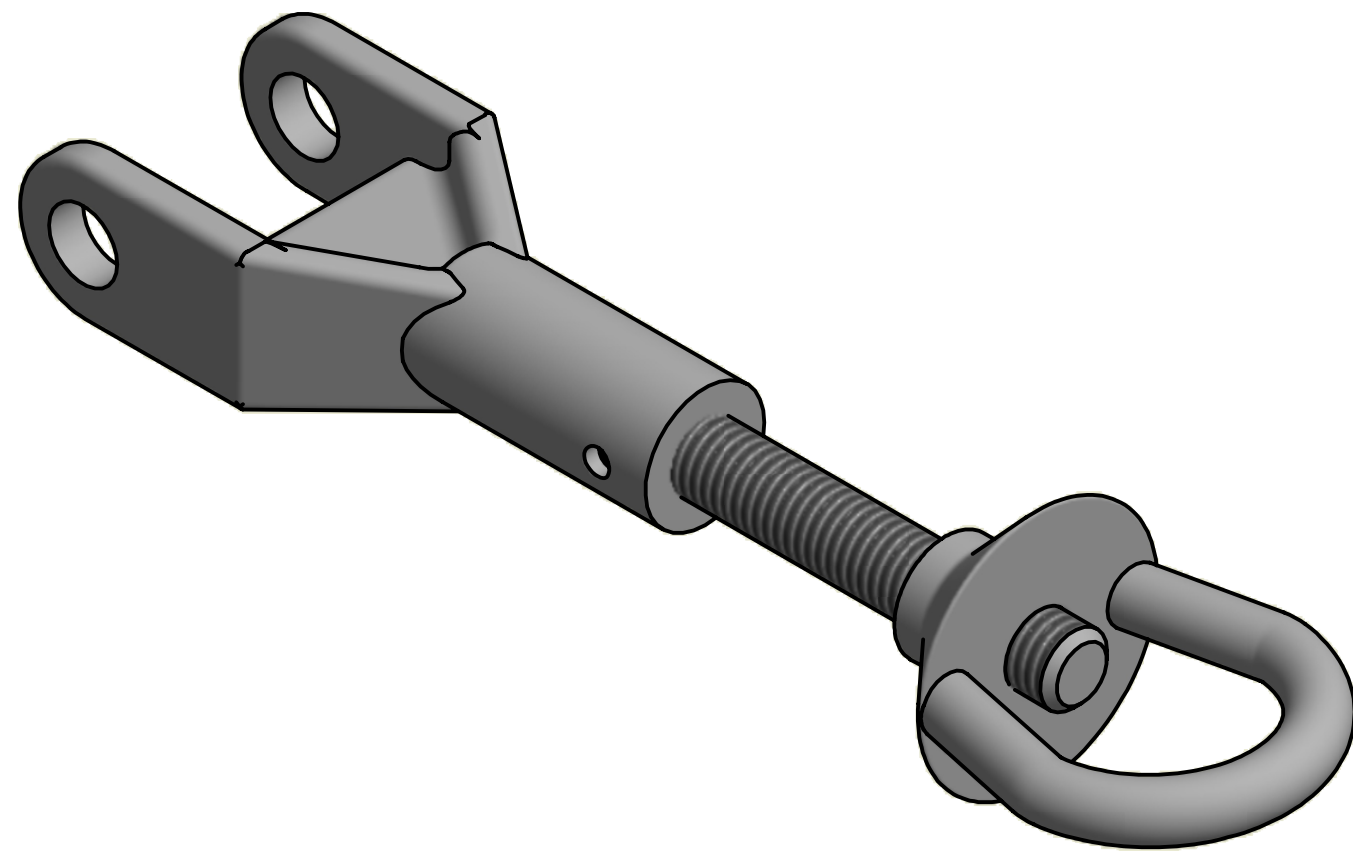
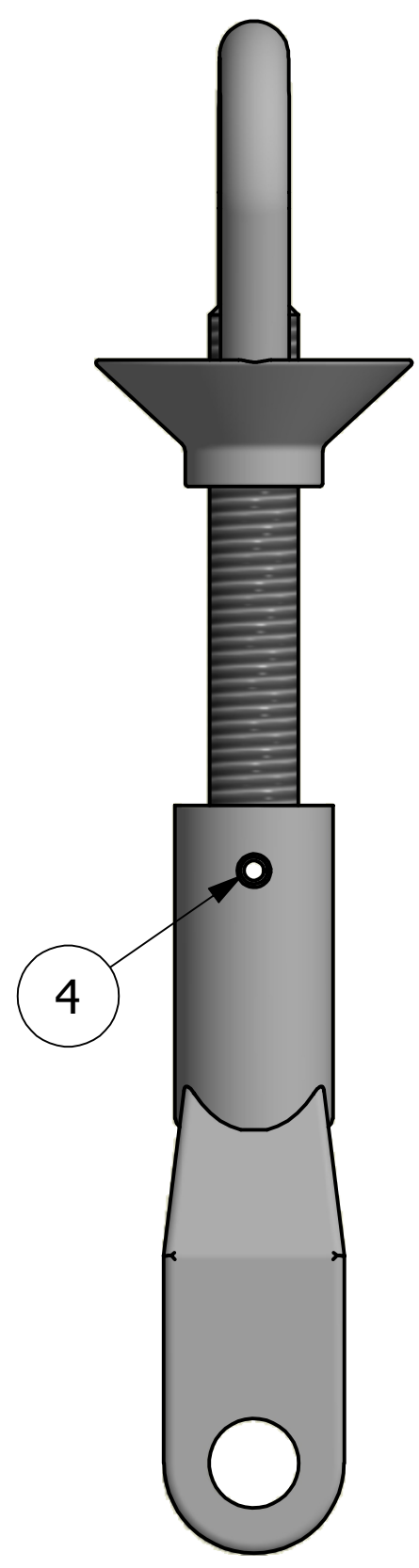
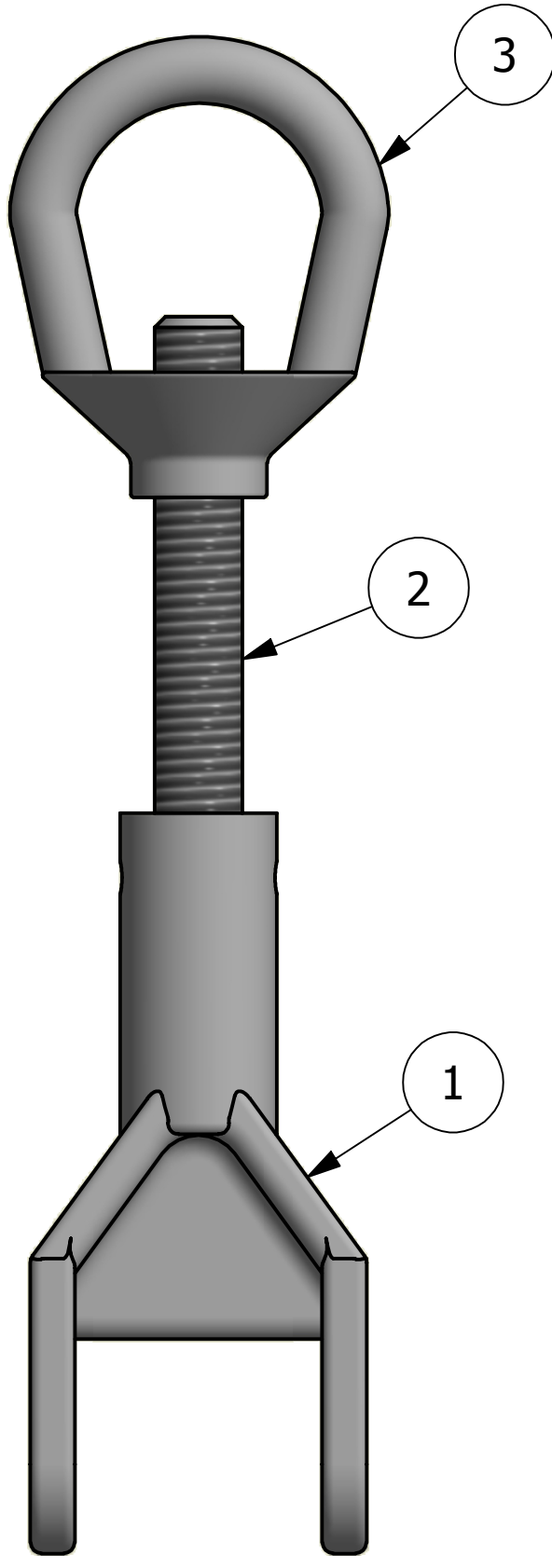
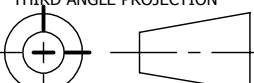



NO.	PART NAME	PART#	REQ'D	MATERIAL
1	SIDE LINK	SLEN20	1	ALUMINUM
2	THREADED ROD 1/2"	A25740	1	18-8 SS
3	EYE NUT	ENEN20	1	ALUMINUM
4	SPRING PIN 3/16"	FA74318	1	18-8 SS



ISOMETRIC VIEW

<small>UNLESS OTHERWISE SPECIFIED DIMENSIONAL TOLERANCES</small> FRACTIONAL: ±1/16 X.XX: ±.03 X.XXX: ±.015 ANGLE: ±1° <small>THIS PRINT, PROPERTY OF SALCO PRODUCTS INC, CONTAINS PROPRIETARY INFORMATION AND MUST NOT BE COPIED, REPRODUCED, OR USED DETRIMENTALLY TO OUR INTEREST.</small> <small>THIRD ANGLE PROJECTION</small> 	DRAWN BY:	BRG
	CHECKED BY:	CHL
	PROTOTYPE BY:	BRG
	PROTOTYPE DATE:	8/13/2008
	APPROVED FOR PRODUCTION BY:	BG
PRODUCTION DATE:	8/8/2013	

A	BG	8-8-13	DRAWING RELEASED FOR PRODUCTION	
REV	BY	DATE	DESCRIPTION	
 SALCO PRODUCTS, INC.				
PART NAME: OUTLET CAP SIDE LINK ASSEMBLY				
MATERIAL: SEE BOM				
PROJECT #:		080514	SHEET #:	1 OF 1
DRAWING #:		C25777	SCALE:	1:1
PART #:		SLAEN20		