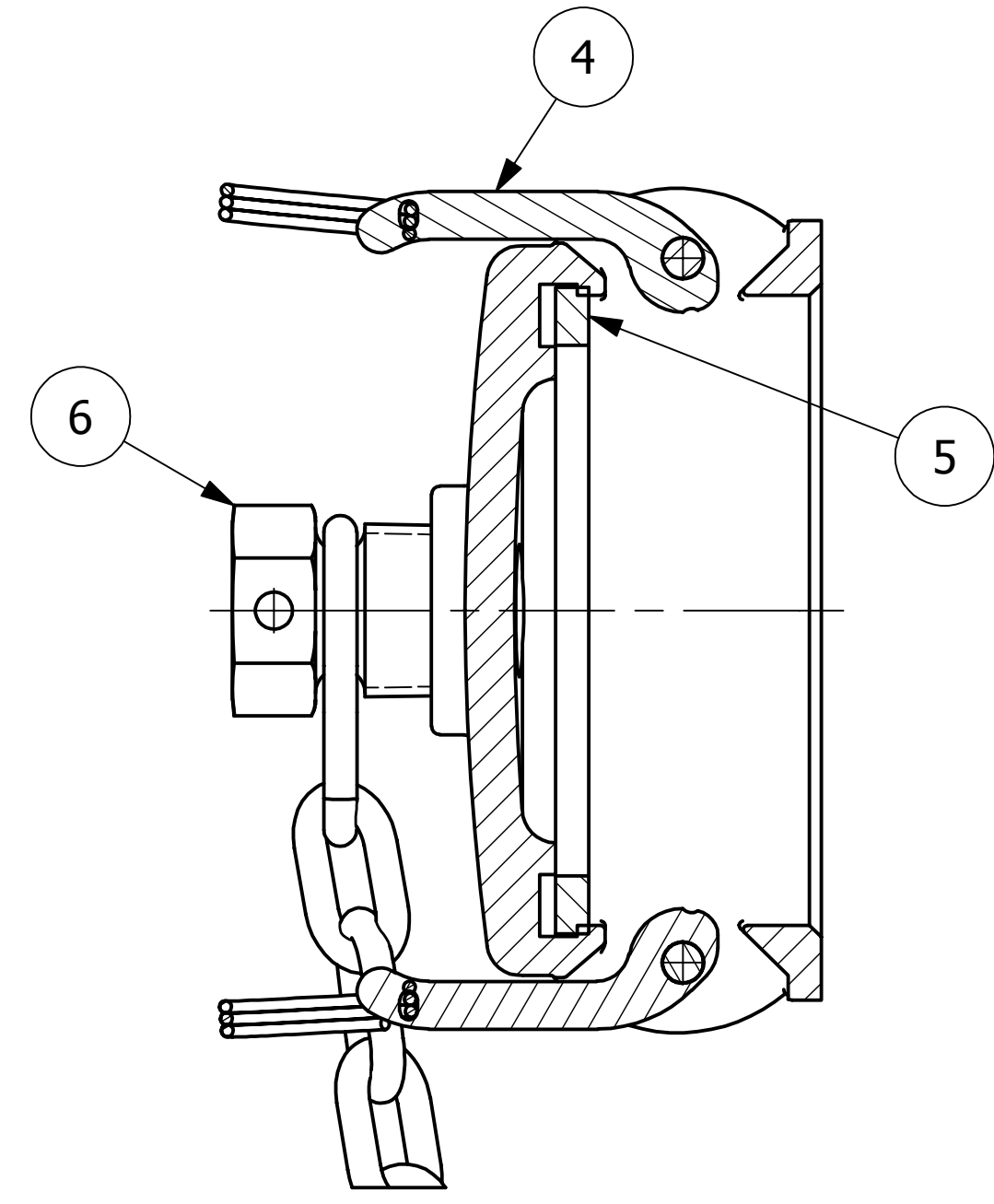
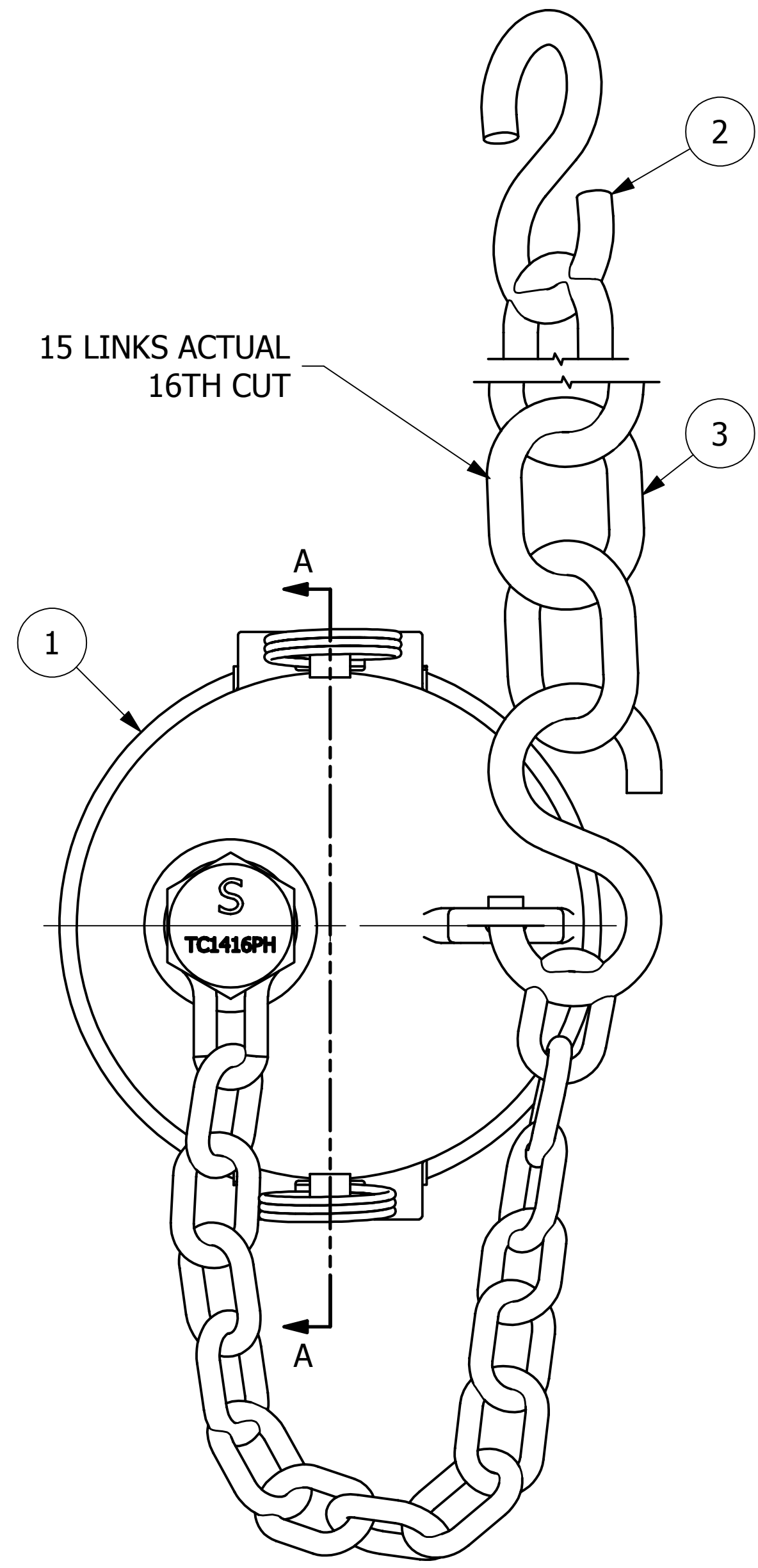


NO.	PART NAME	PART#	REQ'D	MATERIAL
1	QUICK CONNECT CAP 4" KAMMED	K4SDC	1	316 SS
2	S-HOOK 3/8"X3 1/2"	SC38SHS	2	18-8 SS
3	CHAIN LINK 3/8"	SC80	16	18-8 SS
4	KAM ARMS STRAIGHT	SSKLA	2	304 SS
5	DUST CAP GASKET 4"	SSDCG6	1	BLACK VITON A
6	PLUG ASSEMBLY 1"	TC1416PAH	1	416 SS



SECTION A-A

- NOTES:
1. THIS ASSEMBLY IS NOT DOT APPROVED AND CAN BE USED ONLY ON AAR STENCILED CARS.
 2. QUICK DISCONNECT MEETS A-A59326D.
 3. DUST CAP IS 316 SS ASTM# A743 GRADE CF-8M.
 4. AAR APPROVAL # E-139514.

REV	BY	DATE	DESCRIPTION
D	RJP	12-20-13	AAR APPROVAL # WAS E-019022 MIL SPEC WAS MIL-C-27487G
C	TAJ	7-7-11	AAR APPROVAL # WAS E-039015
B	CHL	1-12-04	AAR APPROVAL # WAS E-939034
A	CHL	5-20-03	NEW PART ADDED TO SYSTEM

<small>UNLESS OTHERWISE SPECIFIED DIMENSIONAL TOLERANCES FRACTIONAL: ±1/16 X.XX: ±.03 X.XXX: ±.015 ANGLE: ±1° DEBURR ALL SHARP EDGES. ALL MACHINED SURFACES TO HAVE A 125 RMS FINISH UNLESS NOTED OTHERWISE.</small>	DRAWN BY:	CHL
	CHECKED BY:	ACC
	PROTOTYPE BY:	CHL
	PROTOTYPE DATE:	4/24/2003
	APPROVED FOR PRODUCTION BY:	ACC
	PRODUCTION DATE:	4/24/2003

SALCO PRODUCTS, INC.

PART NAME: **QUICK CONNECT CAP 4" KAMMED**

MATERIAL: **SEE BOM**

PROJECT #: **WAG0013** SHEET #: **1 OF 1** SCALE: **3:4**

DRAWING #: **C17924** PART #: **K4SDC6A**