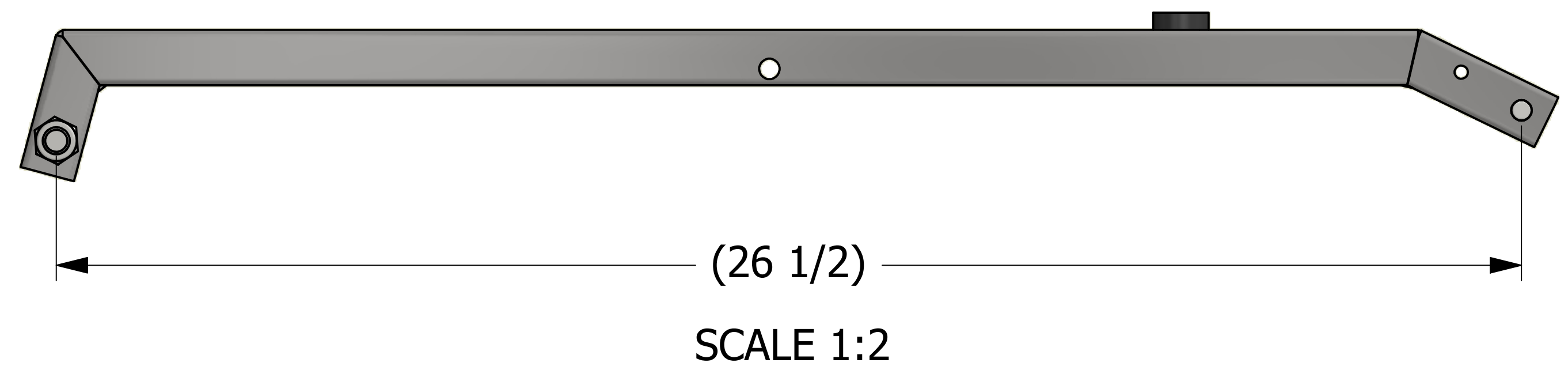


ISOMETRIC VIEW

| NO. | PART NAME | PART # | REQ'D | MATERIAL |
|-----|-------------------------|---------|-------|----------|
| 1 | HATCH COVER ARM 20" | A20SASW | 1 | SS |
| 2 | HEX BOLT 1/2"-13X6 1/2" | HB20SS | 1 | 18-8 SS |
| 3 | BUMPER | VAB | 1 | EPDM |
| 4 | HEX LOCK NUT 1/2"-13 | TN20LN | 1 | CS Z/P |



| REV | BY | DATE | DESCRIPTION |
|-----|-----|---------|-----------------------------|
| B | CHL | 2-27-14 | REPLACED TN20SS WITH TN20LN |
| A | WEB | 2-26-14 | RELEASED FOR PRODUCTION |

| | | |
|--|-----------------------------|-----------|
| UNLESS OTHERWISE SPECIFIED DIMENSIONAL TOLERANCES FRACTIONAL: ±1/16 X.XX: ±.03 X.XXX: ±.015 ANGULAR: ±1° DEBURR ALL SHARP EDGES. ALL MACHINED SURFACES TO HAVE A 125 RMS FINISH UNLESS NOTED OTHERWISE. THIRD ANGLE PROJECTION | DRAWN BY: | KHK |
| | CHECKED BY: | CHL |
| | PROTOTYPE BY: | KHK |
| | PROTOTYPE DATE: | 2/18/2014 |
| | APPROVED FOR PRODUCTION BY: | WEB |
| | PRODUCTION DATE: | 2/25/2014 |

SALCO PRODUCTS, INC.

PART NAME: **HATCH COVER ARM ASSEMBLY 20"**

MATERIAL: **SEE BOM**

PROJECT #: **140212T** SHEET #: **1 OF 1** SCALE: **3:4**

DRAWING #: **D38407** PART #: **ATH20SCAB**