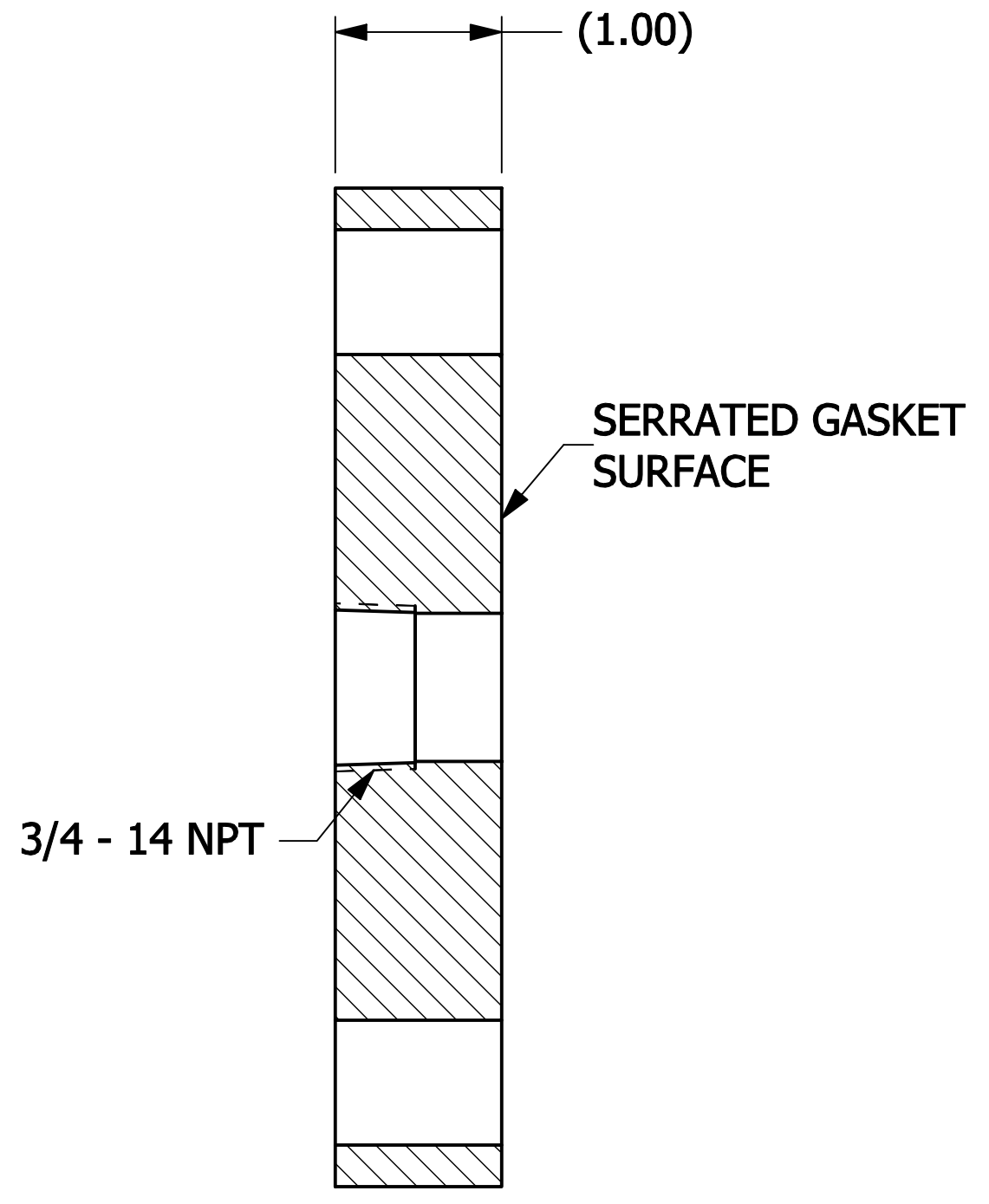
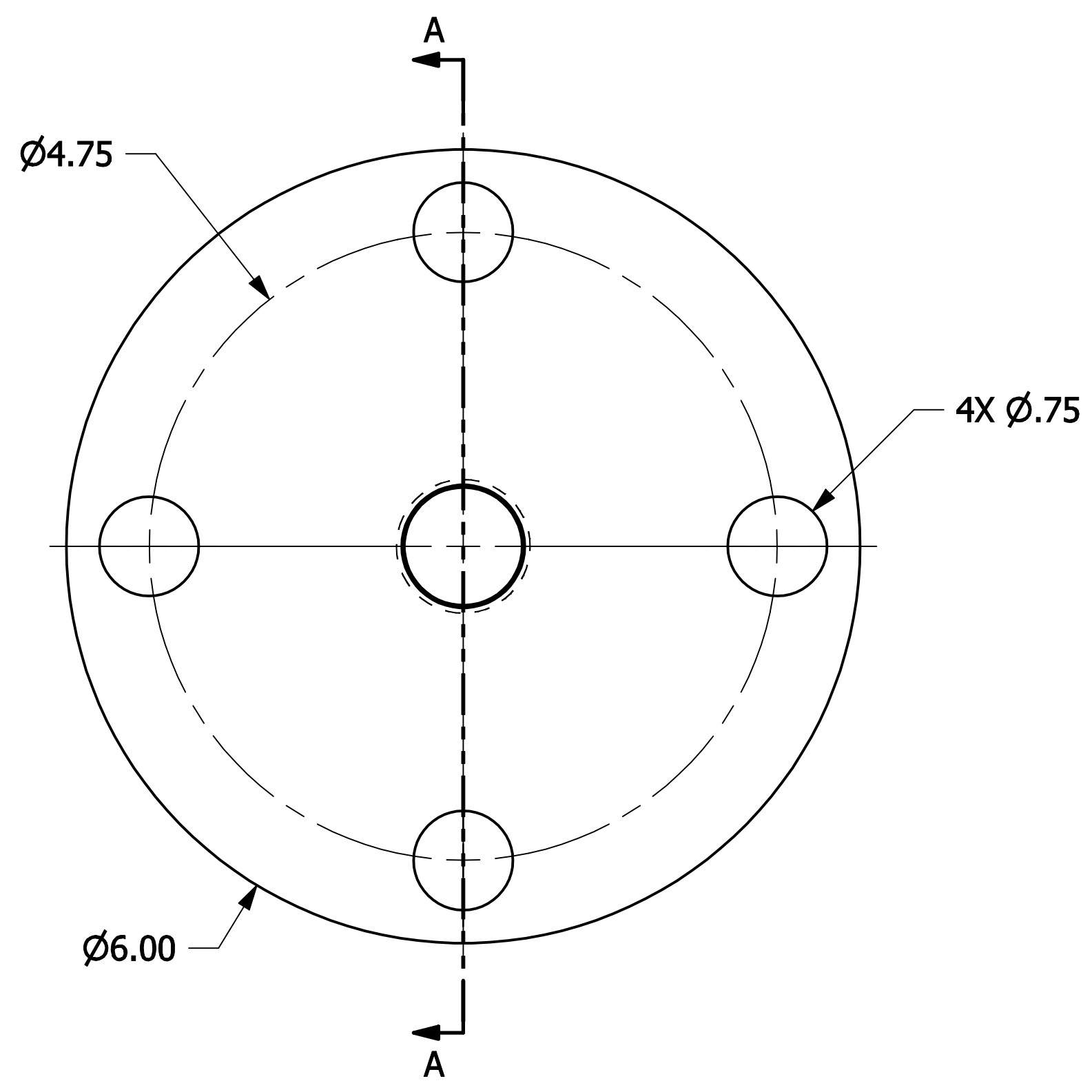


NO.	PART NAME	PART#	REQ'D	MATERIAL
1	SHEET 1"	SHT1UHR	.27 SQ FT	SEE NOTE



SECTION A-A

NOTE:
MATERIAL IS RED TIVAR® 1000UV,
ALTERNATE COLOR IS BLACK.

REV	BY	DATE	DESCRIPTION
A	BRG	6-3-09	ADDED PART TO THE NETWORK

<small>UNLESS OTHERWISE SPECIFIED DIMENSIONAL TOLERANCES</small> FRACTIONAL: ±1/16 X.XX: ±.03 X.XXX: ±.015 ANGLE: ±1° <small>THIS PRINT, PROPERTY OF SALCO PRODUCTS INC. CONTAINS PROPRIETARY INFORMATION AND MUST NOT BE COPIED, REPRODUCED, OR USED DETRIMENTALLY TO OUR INTEREST.</small> THIRD ANGLE PROJECTION	DRAWN BY:	CHL
	CHECKED BY:	PJG
	PROTOTYPE BY:	CHL
	PROTOTYPE DATE:	11/5/2008
	APPROVED FOR PRODUCTION BY:	PJG
PRODUCTION DATE:	6/3/2009	

Hazarsolve® Corp
A DIVISION OF SALCO PRODUCTS

AIR INLET FLANGE 2"X3/4" 150 LB

MATERIAL: **SEE BOM**

PROJECT #: **081105** SHEET #: **1 OF 1** SCALE: **1:1**

DRAWING #: **C26106** PART #: **HS2075AIFP**