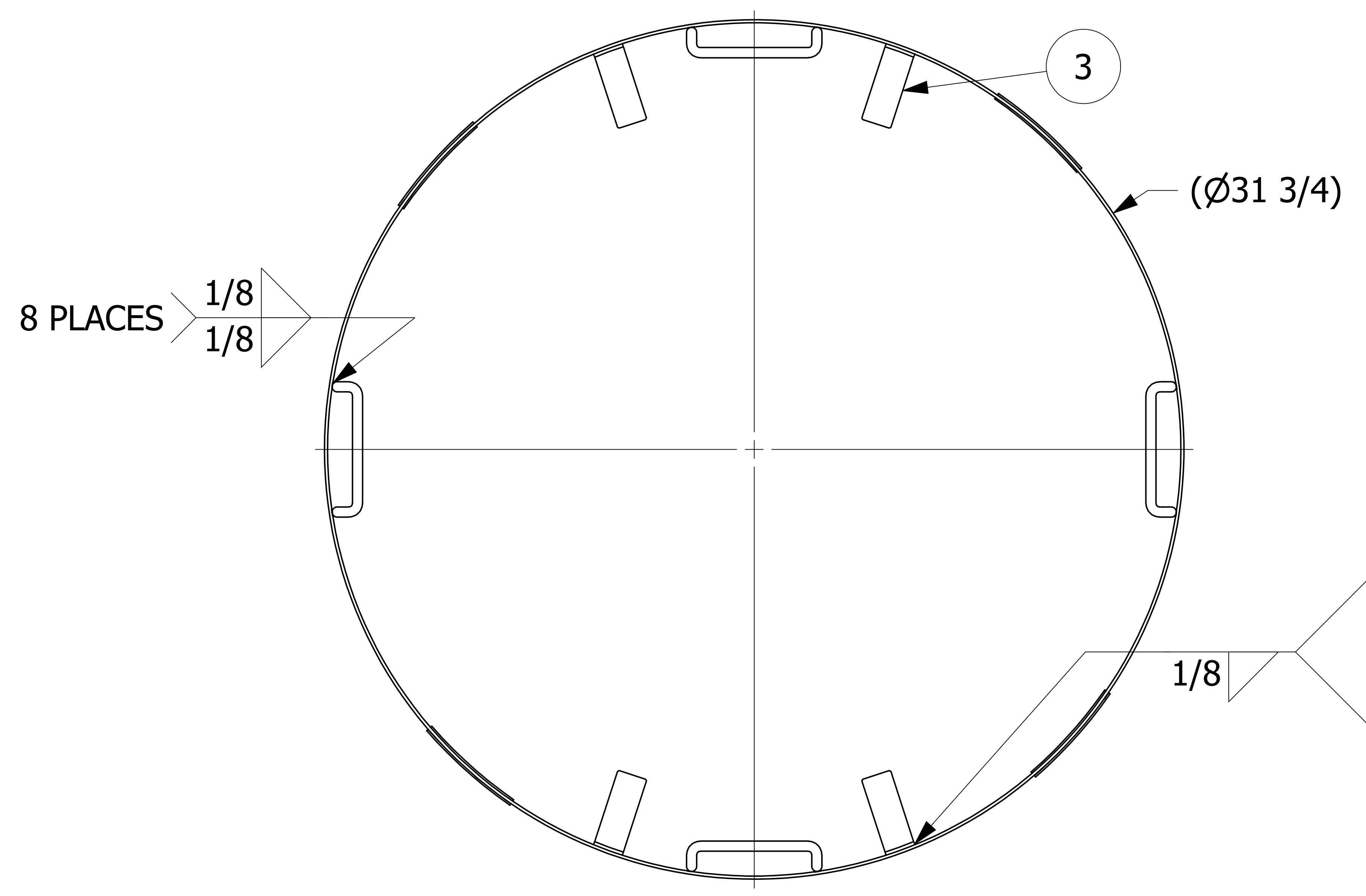
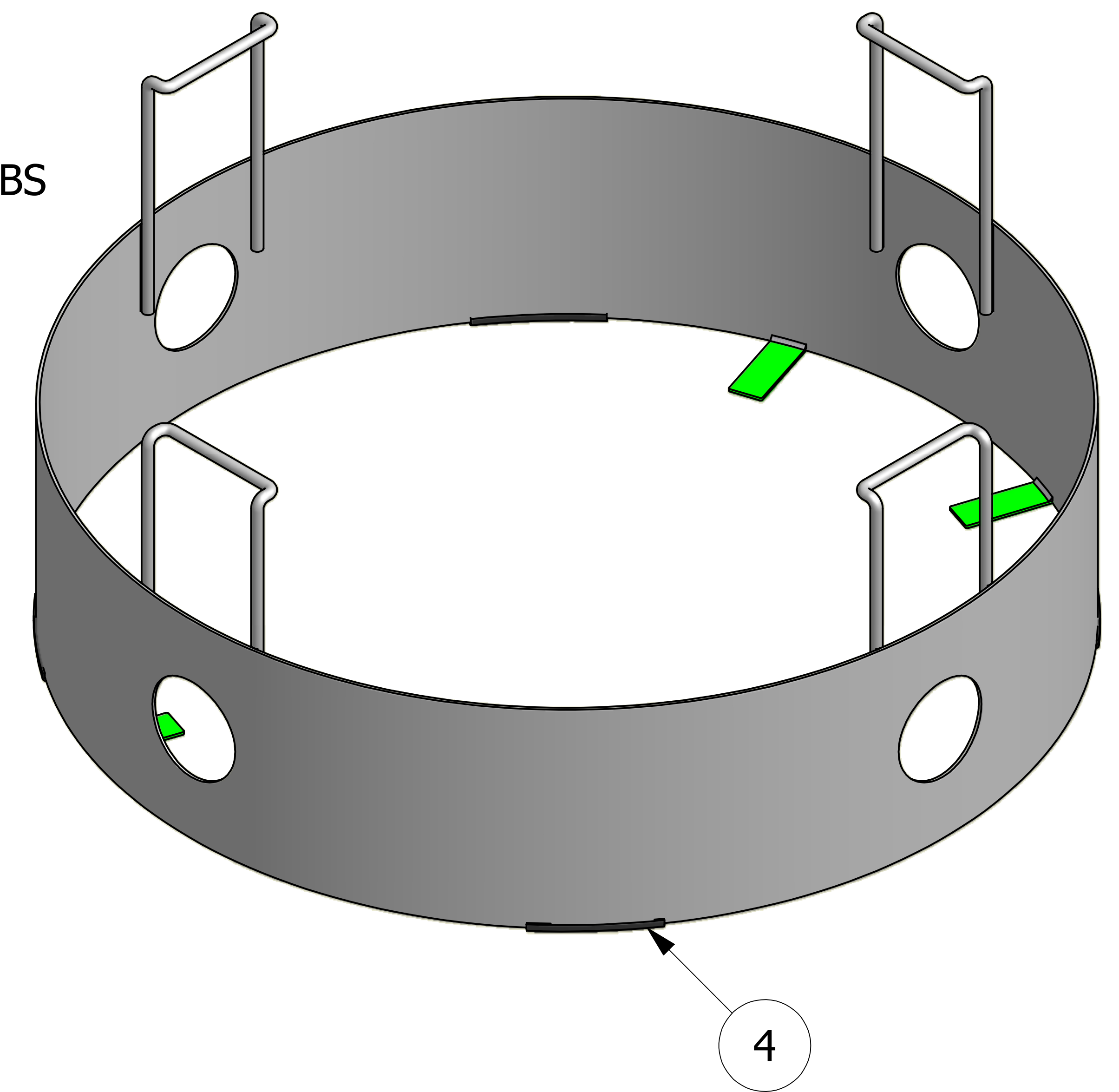


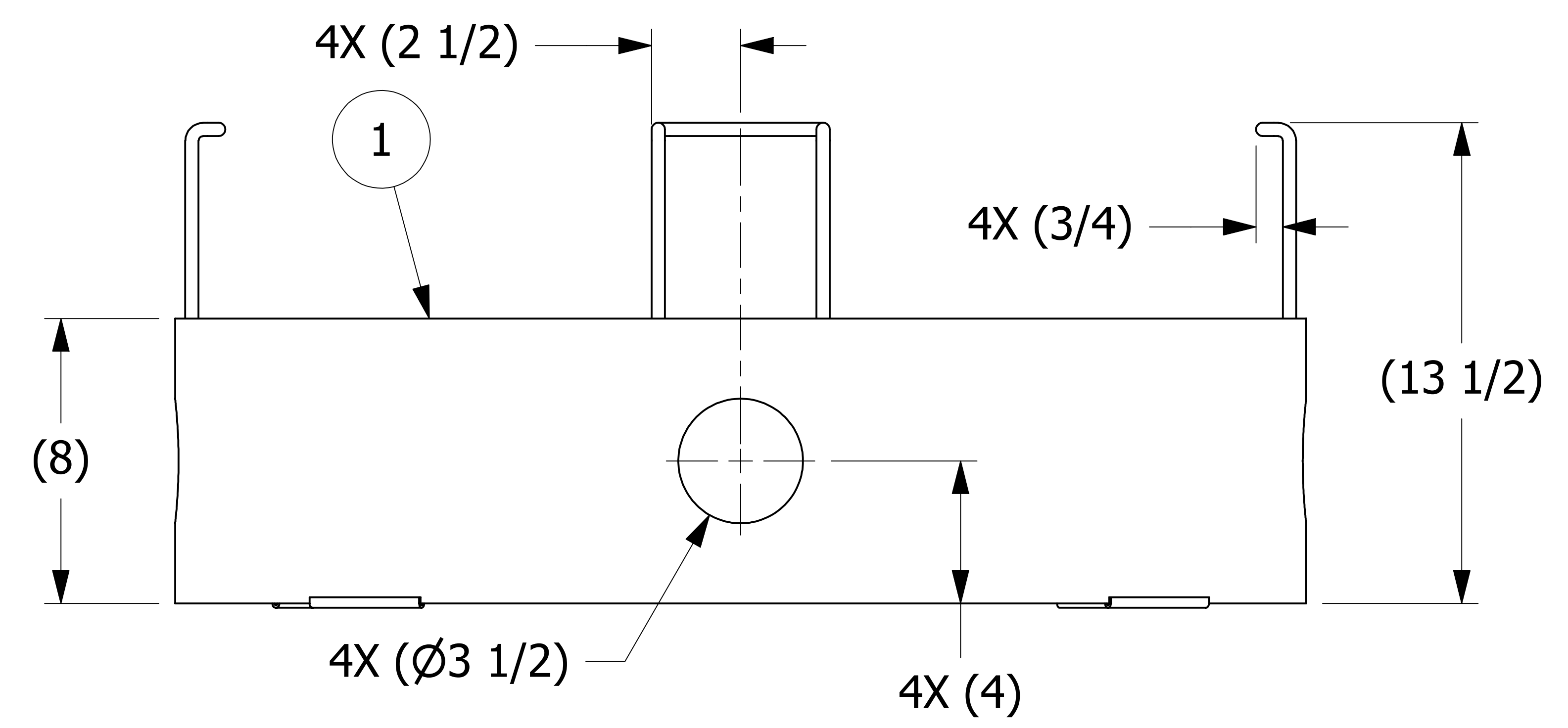
NO.	PART NAME	PART#	REQ'D	MATERIAL
1	SECURITY RING 20"	MB20PR05CSNL	1	SEE DWG
2	LABEL	MBPRLBL	1	VINYL
3	PLATE 2 15/16 X 1 1/8 CS	A16574	4	CS
4	EDGE TRIM 1/8"	A21066	4	NEOPRENE



CUSTOMER IS TO WELD TABS IN THE RIGHT PLACE AND USE TOUCH UP PAINT. 4 PLACES TABS TO BE FLUSH WITH BOTTOM OF RING



ISOMETRIC VIEW



- NOTES:
1. APPLY LABEL ON INSIDE THE RING, DO NOT PLACE OVER HOLE.
  2. GLUE EDGE TRIM TO RING.
  3. FITS ON GEOX20766 & GEOX20784 CARS.

A	VD	07-21-10	ADDED PART TO SYSTEM.
REV	BY	DATE	DESCRIPTION

UNLESS OTHERWISE SPECIFIED DIMENSIONAL TOLERANCES FRACTIONAL: ±1/16 X.XX: ±.03 X.XXX: ±.015 ANGULAR: ±1° DEBURR ALL SHARP EDGES. ALL MACHINED SURFACES TO HAVE A 125 RMS FINISH UNLESS NOTED OTHERWISE.	DRAWN BY:	REH
	CHECKED BY:	VD
	PROTOTYPE BY:	REH
	PROTOTYPE DATE:	6/3/2010
	APPROVED FOR PRODUCTION BY:	
THIRD ANGLE PROJECTION	PRODUCTION DATE:	

**SALCO PRODUCTS, INC.**

**SECURITY RING 20"**

**SEE BOM**

PROJECT #: 080922 SHEET #: 1 OF 1 SCALE: 3:8

DRAWING #: **E28891** PART #: **MB20PR05CS**