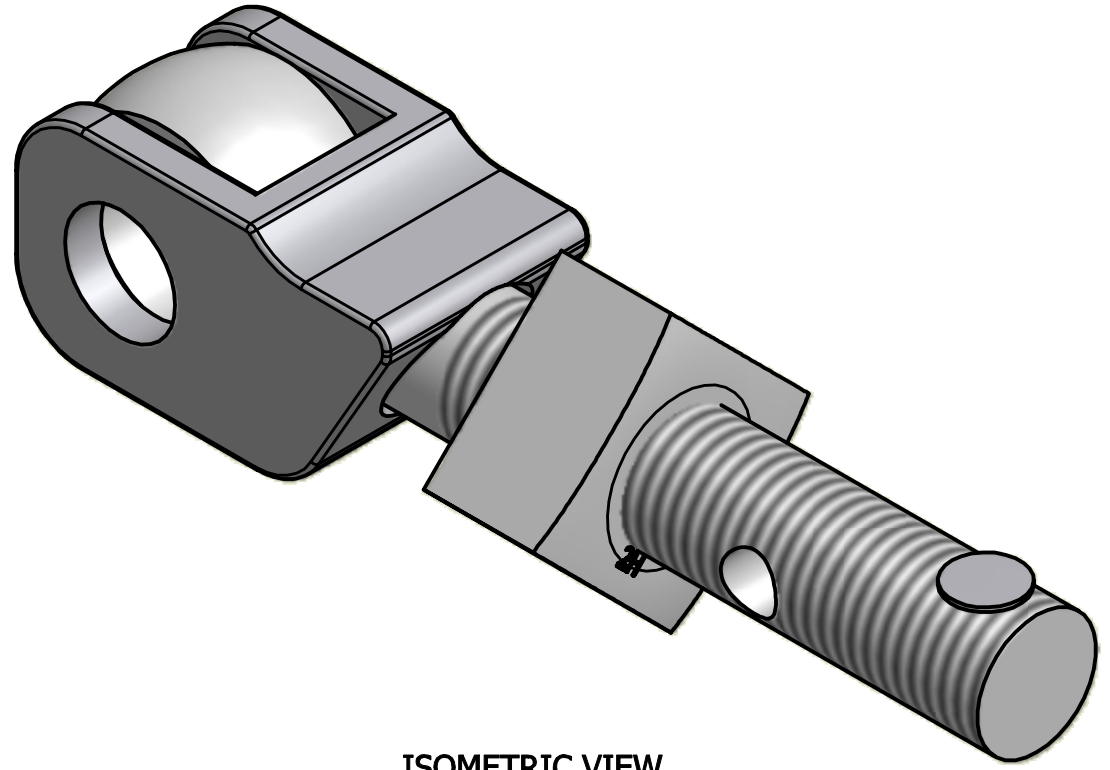
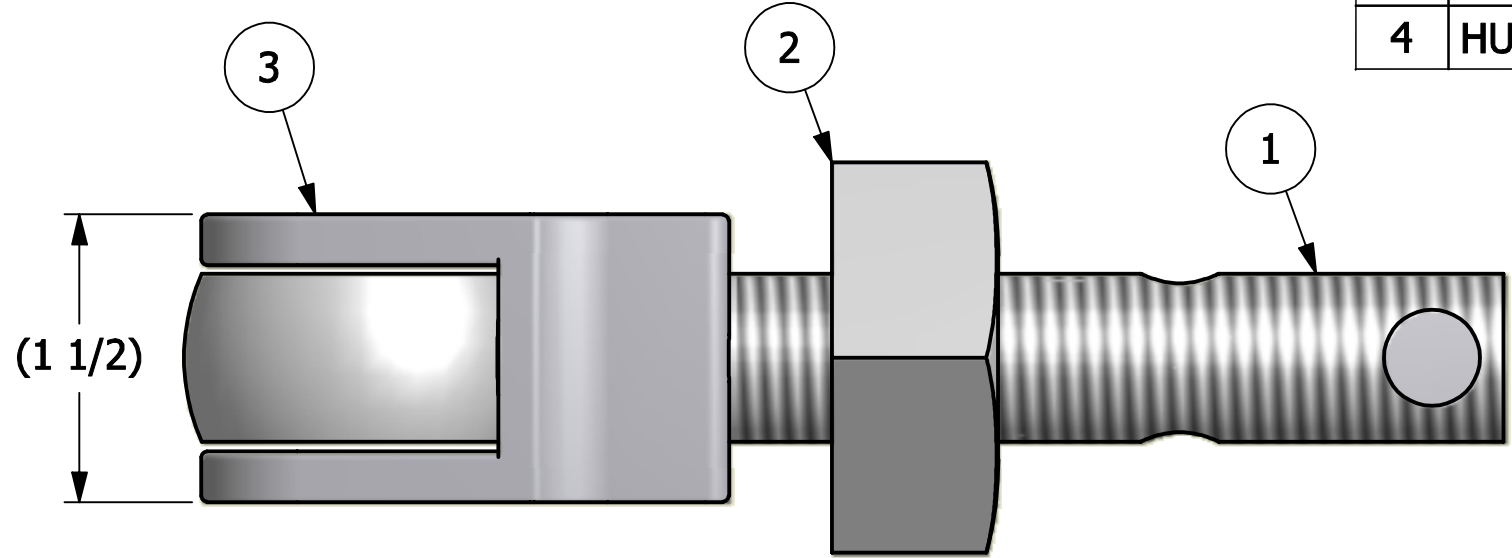
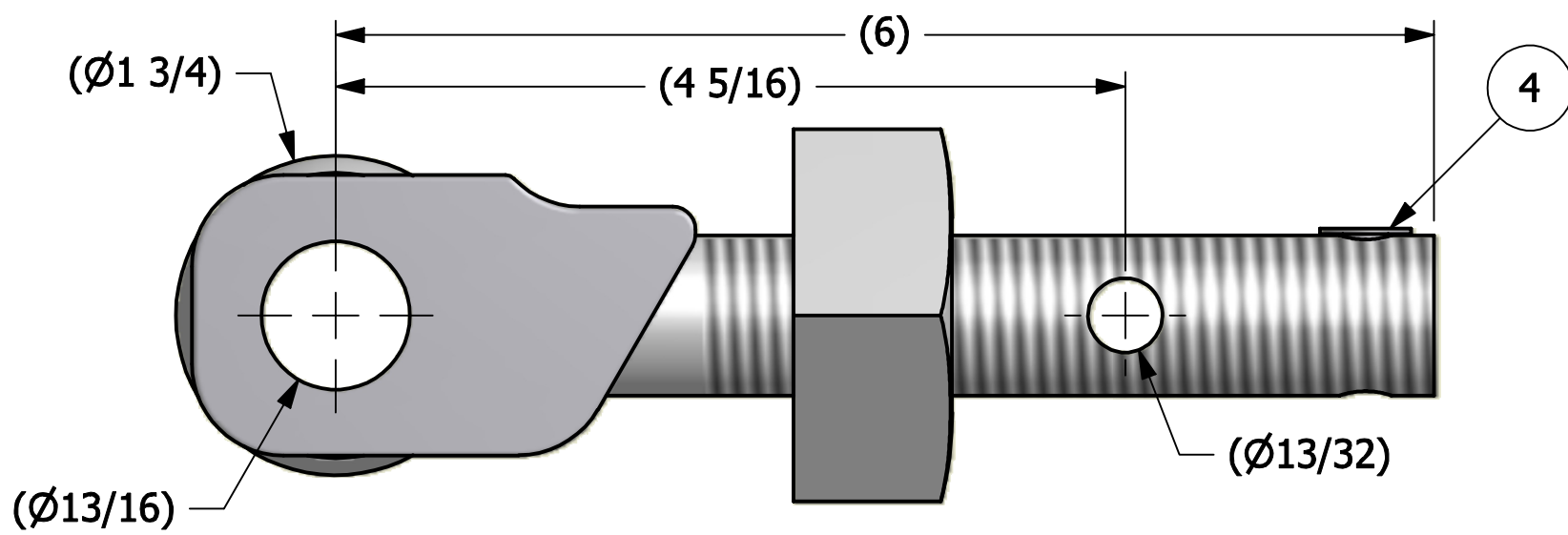


NO.	PART NAME	PART#	REQ'D	MATERIAL
1	EYEBOLT 7/8"X6"	EBR786HR	1	CARBON STEEL
2	HEAVEY SQUARE NUT 7/8"-9	N78	1	CARBON STEEL
3	SAFETY CATCH 2 3/4"	DEB275SC	1	316 SS
4	HUCK RIVET 1/4"X13/16"	A16204	1	316 SS



ISOMETRIC VIEW



REV	BY	DATE	DESCRIPTION
A	BRG	12-17-08	UPDATED EYEBOLT MATERIAL
A	CHL	11-26-01	REPLACED SN14S WITH A16204

UNLESS OTHERWISE SPECIFIED DIMENSIONAL TOLERANCES	DRAWN BY:	CHL
FRACTIONAL: ±1/16	CHECKED BY:	SAB
X.XX: ±.03	PROTOTYPE BY:	CHL
X.XXX: ±.015	PROTOTYPE DATE:	10/30/2001
ANGULAR: ±1°	APPROVED FOR PRODUCTION BY:	SAB
THIS PRINT, PROPERTY OF SALCO PRODUCTS INC., CONTAINS PROPRIETARY INFORMATION AND MUST NOT BE COPIED, REPRODUCED, OR USED DETRIMENTALLY TO OUR INTEREST.	PRODUCTION DATE:	10/30/2001
THIRD ANGLE PROJECTION		

SALCO PRODUCTS, INC.

PART NAME: **EYEBOLT ASSEMBLY 7/8"X6"**

MATERIAL: **SEE BOM**

PROJECT #: _____ SHEET #: **1 OF 1** SCALE: **1:1**

DRAWING #: **B16328** PART #: **EB786HANSC**

