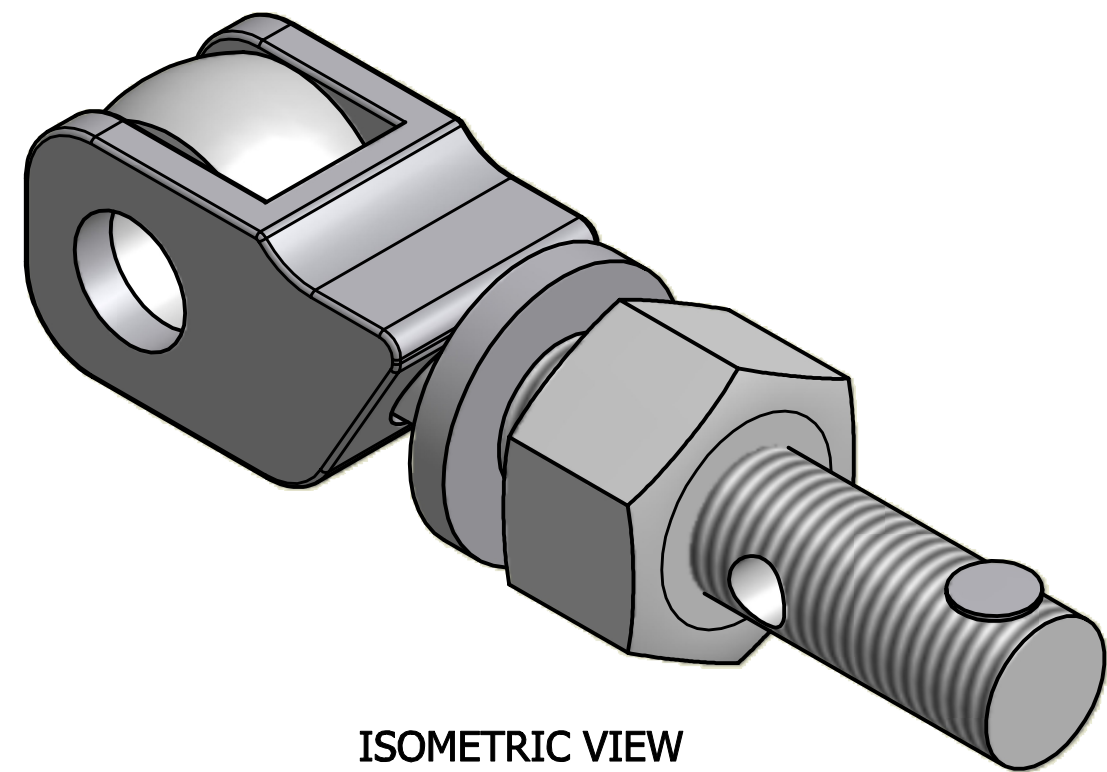


NO.	PART NAME	PART#	REQ'D	MATERIAL
1	EYEBOLT 7/8"X6"	EBR786HS6R	1	316 SS
2	HEAVY HEX NUT 7/8"-9	N78XS6S	1	416 SS
3	SAFETY CATCH 2 3/4"	DEB275SC	1	316 SS
4	HUCK RIVET 1/4"X13/16"	A16204	1	316 SS
5	FLAT WASHER 7/8"	WASH78SST	1	18-8 SS



ISOMETRIC VIEW

REV	BY	DATE	DESCRIPTION
B	CHL	6-8-09	REPLACED WASH78S6 W/WASH78SST
A	CHL	5-27-09	NEW PART ADDED TO SYSTEM

UNLESS OTHERWISE SPECIFIED DIMENSIONAL TOLERANCES	DRAWN BY:	BRG
FRACTIONAL: ±1/16	CHECKED BY:	PJG
X.XX: ±.03	PROTOTYPE BY:	BRG
X.XXX: ±.015	PROTOTYPE DATE:	5/20/2009
ANGULAR: ±1°	APPROVED FOR PRODUCTION BY:	
THIS PRINT, PROPERTY OF SALCO PRODUCTS INC., CONTAINS PROPRIETARY INFORMATION AND MUST NOT BE COPIED, REPRODUCED, OR USED DETRIMENTALLY TO OUR INTEREST.	PRODUCTION DATE:	
THIRD ANGLE PROJECTION		

<b>Hazarsolve® Corp</b> A DIVISION OF SALCO PRODUCTS		
PART NAME: <b>EYEBOLT ASSEMBLY 7/8"X6"</b>		
MATERIAL: <b>SEE BOM</b>		
PROJECT #: <b>WAG0683</b>	SHEET #: <b>1 OF 1</b>	SCALE: <b>1:1</b>
DRAWING #: <b>B26917</b>	PART #: <b>EB786X2HAS6SCCN</b>	