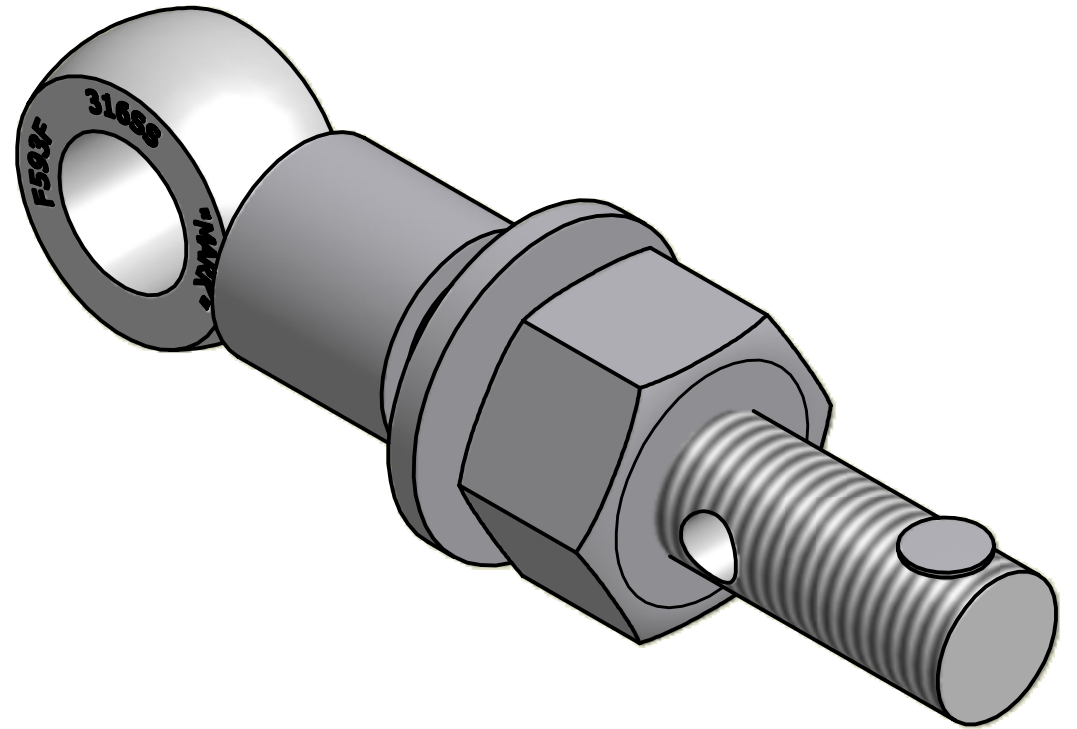
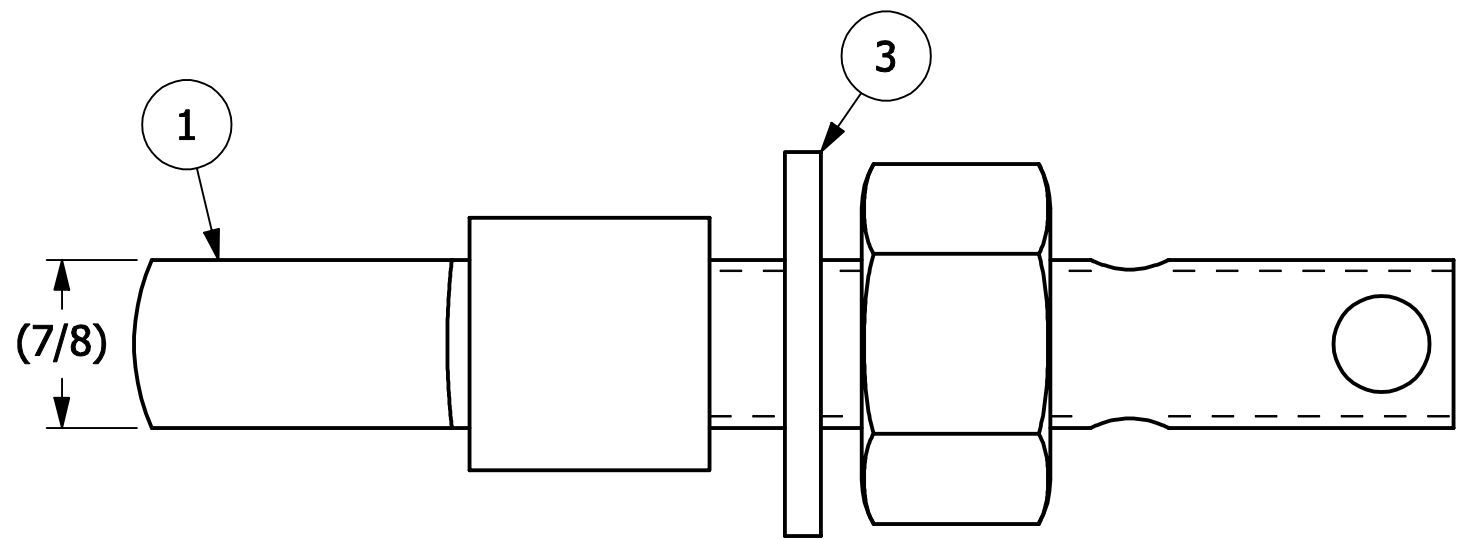
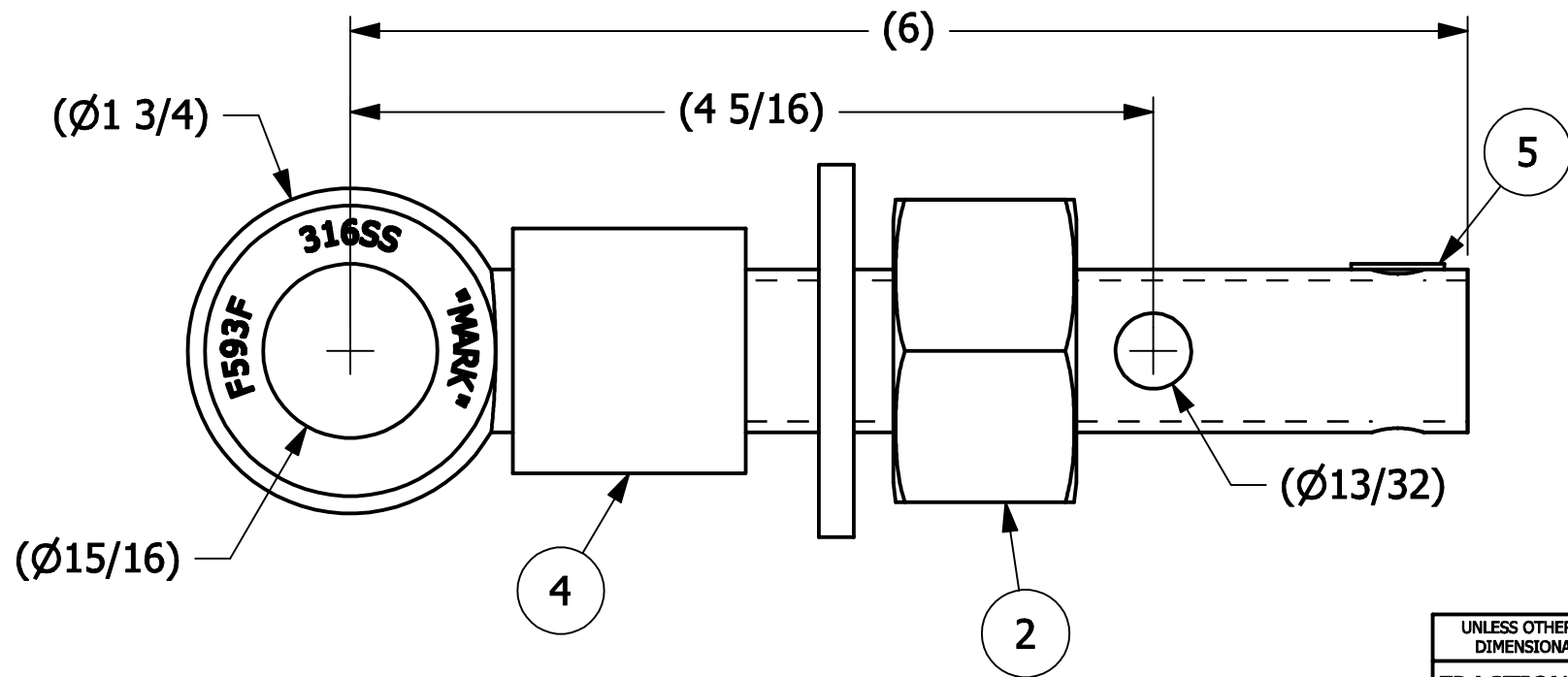


NO.	PART NAME	PART#	REQ'D	MATERIAL
1	EYEBOLT 7/8"X6"	EBR786HS6R	1	316 SS
2	HEAVY HEX NUT 7/8"-9	N78XS6S	1	416 SS
3	FLAT WASHER 7/8" SAE	WASH78S6	1	316 SS
4	SAFETY COLLAR 1 1/4"	COLLAR1S6	1	316 SS
5	HUCK RIVET 1/4"X13/16"	A16204	1	316 SS



ISOMETRIC VIEW



REV	BY	DATE	DESCRIPTION
B	CHL	5-21-08	REPLAVED COLLAR1S4 W/COLLAR1S6
A	CHL	11-26-01	REPLACED SN14S W/A16204

UNLESS OTHERWISE SPECIFIED DIMENSIONAL TOLERANCES	DRAWN BY:	CHL
FRACTIONAL: ±1/16	CHECKED BY:	SAB
X.XX: ±.03	PROTOTYPE BY:	CHL
X.XXX: ±.015	PROTOTYPE DATE:	5/15/2002
ANGULAR: ±1°	APPROVED FOR PRODUCTION BY:	SAB
THIS PRINT, PROPERTY OF SALCO PRODUCTS INC., CONTAINS PROPRIETARY INFORMATION AND MUST NOT BE COPIED, REPRODUCED, OR USED DETRIMENTALLY TO OUR INTEREST.	PRODUCTION DATE:	6/7/1999
THIRD ANGLE PROJECTION		

SALCO PRODUCTS, INC.

PART NAME:
EYEBOLT ASSEMBLY 7/8"X6"

MATERIAL: **SEE BOM**

PROJECT #: **011129** SHEET #: **1 OF 1** SCALE: **1:1**

DRAWING #: **B13513** PART #: **EB786X2HAS6C**