

4

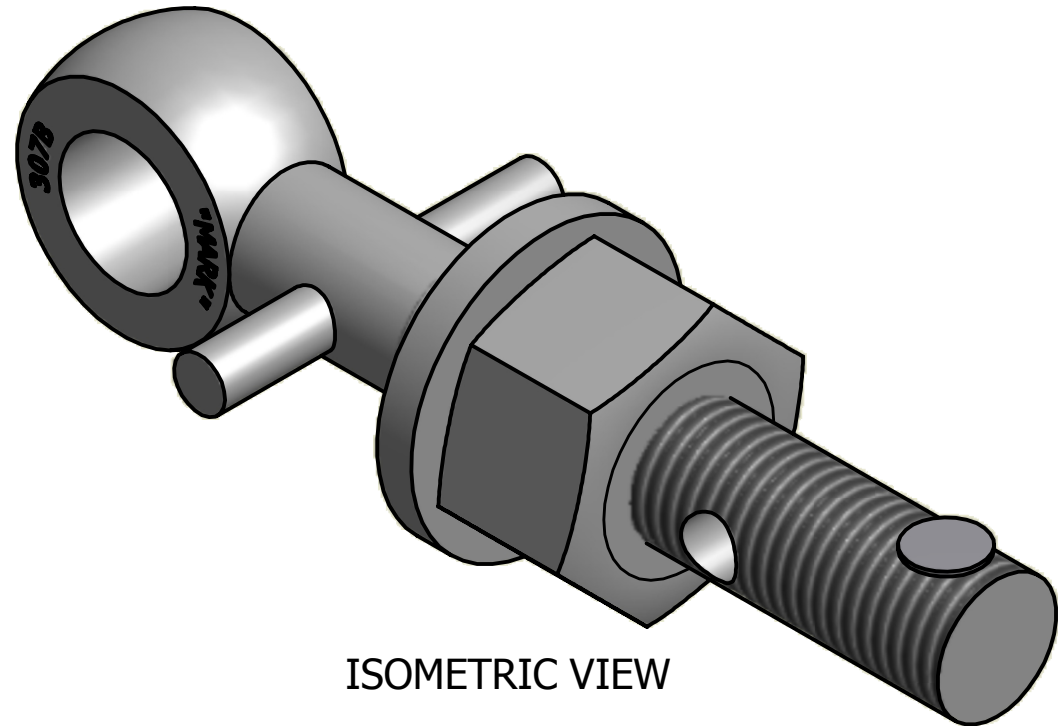
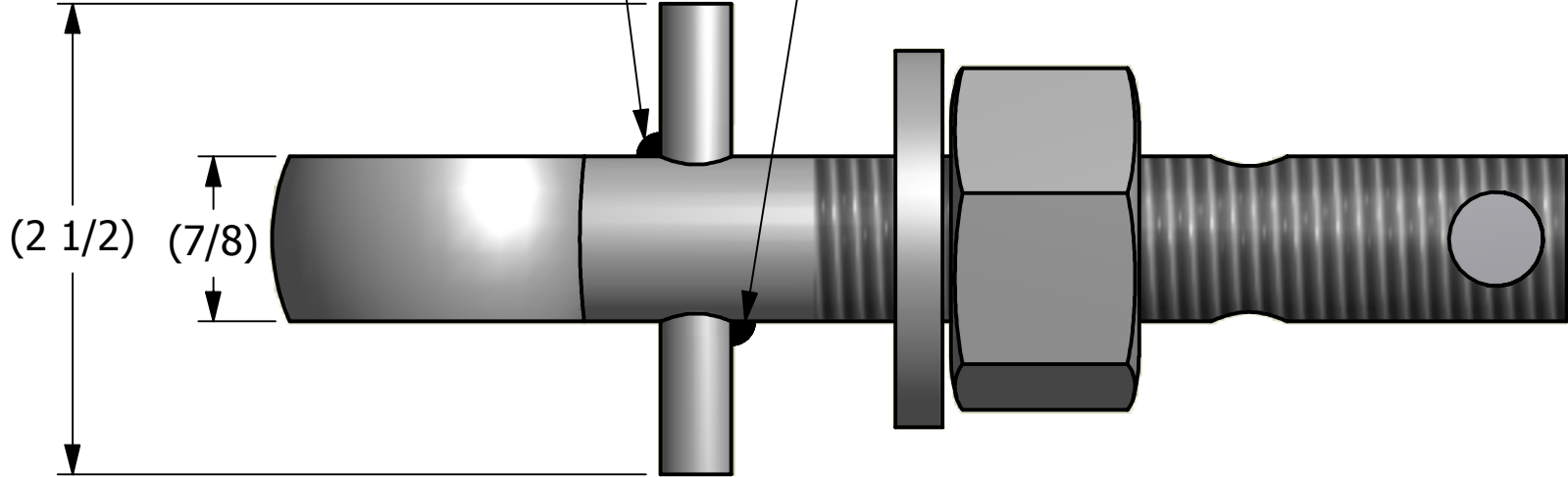
3

2

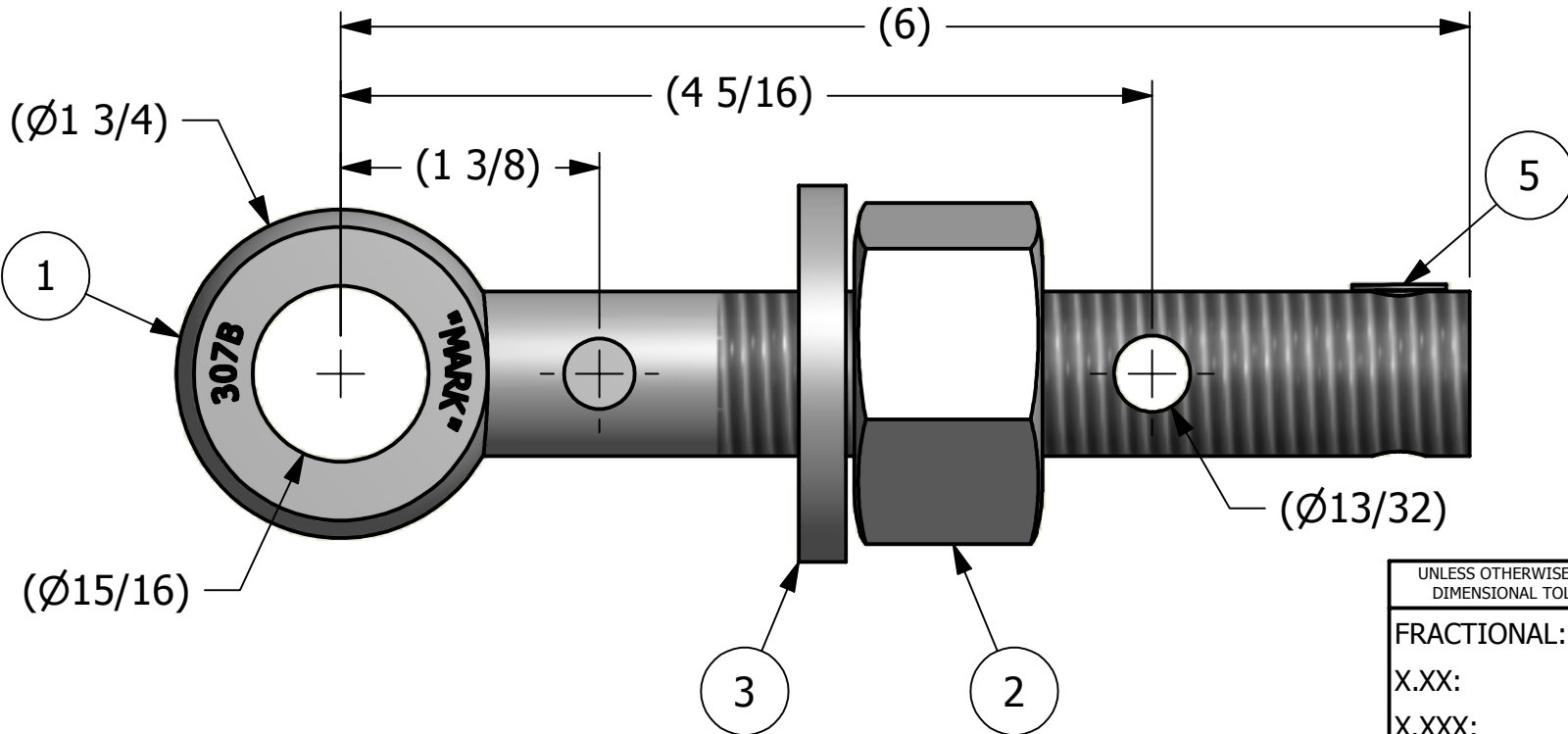
1

NO.	PART NAME	PART #	REQ'D	MATERIAL
1	EYEBOLT 7/8"X6"	EBR786HPR	1	CARBON STEEL
2	HEAVY HEX NUT 7/8"-9	N78XS	1	CARBON STEEL
3	FLAT WASHER 7/8"	WASH78T	1	CARBON STEEL
4	PIN 3/8"X2 1/2"	PIN375	1	CARBON STEEL
5	HUCK RIVET 1/4"X13/16"	A16204	1	304 SS

TACK WELD 2 PLACES  
TOP AND BOTTOM



ISOMETRIC VIEW



A	DGP	02-06-13	RELEASED FOR PRODUCTION
REV	BY	DATE	DESCRIPTION

UNLESS OTHERWISE SPECIFIED DIMENSIONAL TOLERANCES	DRAWN BY:	DGP
FRACTIONAL: ±1/16	CHECKED BY:	CHL
X.XX: ±.03	PROTOTYPE BY:	DGP
X.XXX: ±.015	PROTOTYPE DATE:	2/6/2013
ANGULAR: ±1°	APPROVED FOR PRODUCTION BY:	DGP
THIS PRINT, PROPERTY OF SALCO PRODUCTS INC., CONTAINS PROPRIETARY INFORMATION AND MUST NOT BE COPIED, REPRODUCED, OR USED DETRIMENTALLY TO OUR INTEREST.	PRODUCTION DATE:	2/6/2013
THIRD ANGLE PROJECTION		

**SALCO PRODUCTS, INC.**

PART NAME: EYEBOLT ASSEMBLY 7/8"X6"

MATERIAL: SEE BOM

PROJECT #: 130206FR SHEET #: 1 OF 1 SCALE: 1:1

DRAWING #: **B35289** PART #: **EB786X2HAP**

4

3

2

1