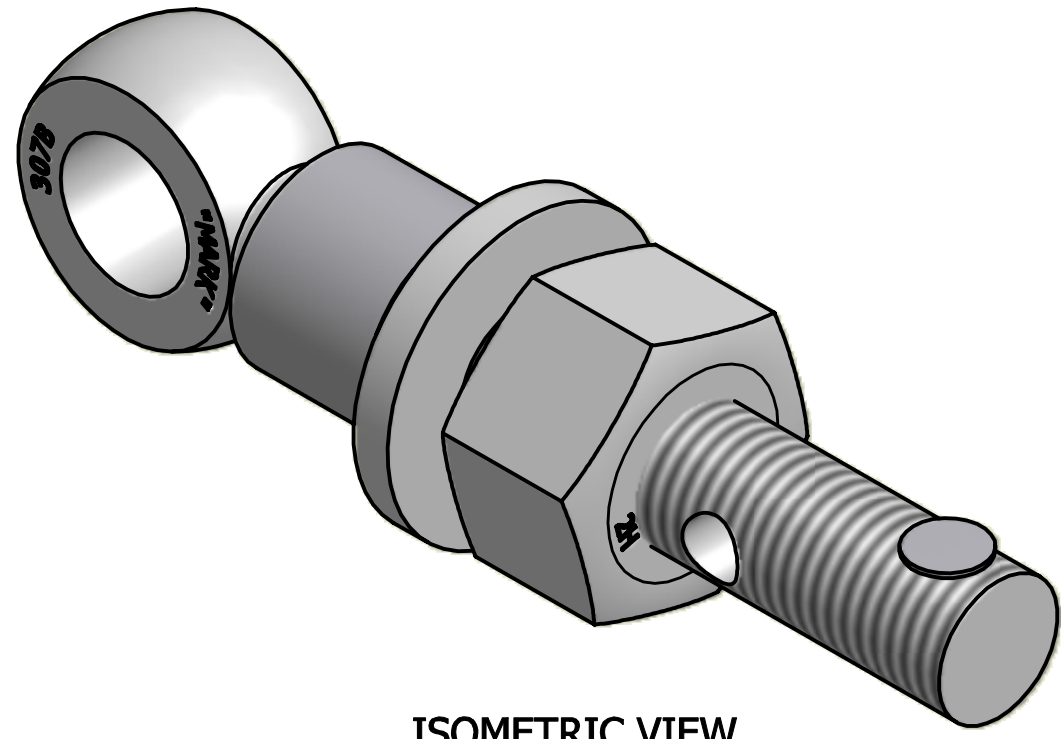
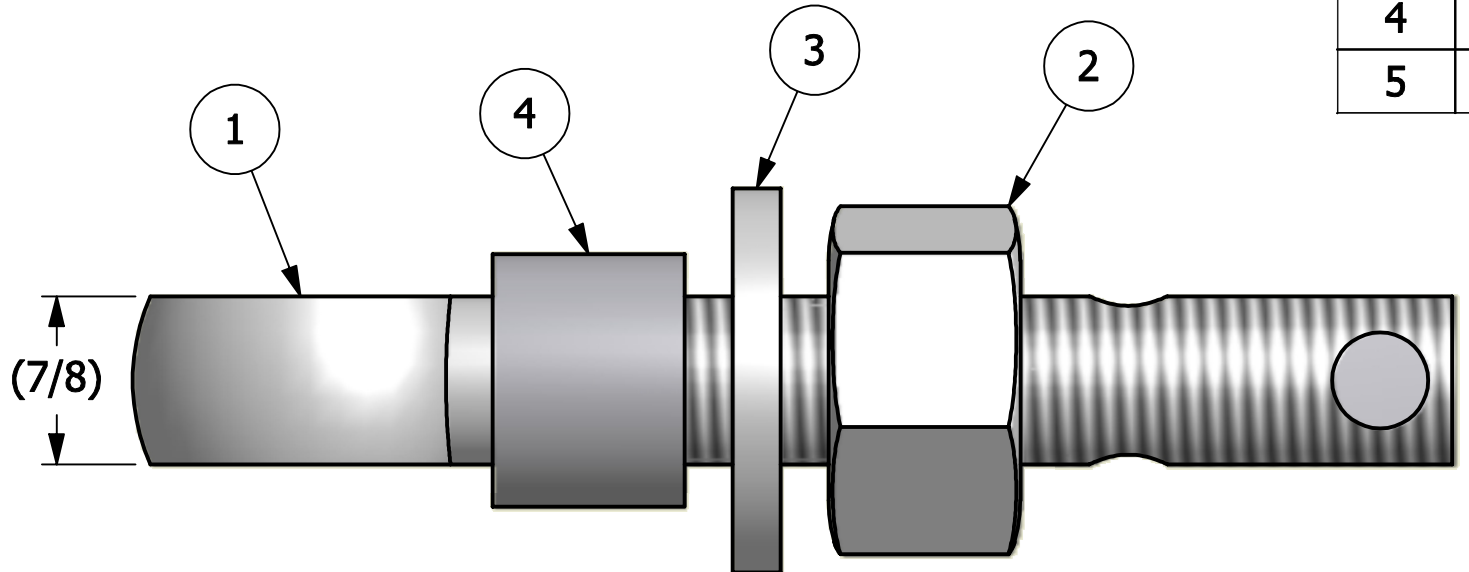
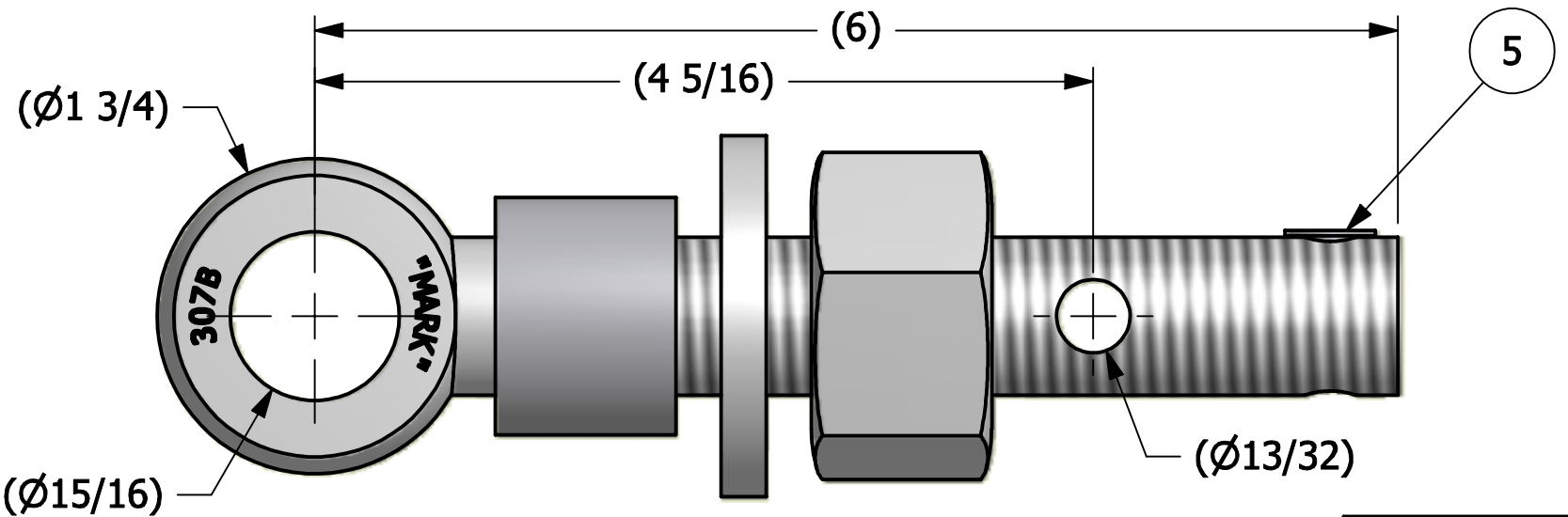


NO.	PART NAME	PART#	REQ'D	MATERIAL
1	EYEBOLT 7/8"X6"	EBR786HR	1	CARBON STEEL
2	HEAVY HEX NUT 7/8"-9	N78XS	1	CARBON STEEL
3	FLAT WASHER 7/8"	WASH78T	1	CARBON STEEL
4	EYEBOLT SAFETY COLLAR 7/8"	COLLAR1	1	CARBON STEEL
5	HUCK RIVET 1/4"X13/16"	A16204	1	316 SS



ISOMETRIC VIEW



B	BRG	12-18-08	UPDATED EYEBOLT MATERIAL
A	CHL	7-2-03	NEW PART ADDED TO SYSTEM
REV	BY	DATE	DESCRIPTION

UNLESS OTHERWISE SPECIFIED DIMENSIONAL TOLERANCES		DRAWN BY:	CHL
FRACTIONAL:	±1/16	CHECKED BY:	ACC
X.XX:	±.03	PROTOTYPE BY:	CHL
X.XXX:	±.015	PROTOTYPE DATE:	7/2/2003
ANGULAR:	±1°	APPROVED FOR PRODUCTION BY:	ACC
THIS PRINT, PROPERTY OF SALCO PRODUCTS INC., CONTAINS PROPRIETARY INFORMATION AND MUST NOT BE COPIED, REPRODUCED, OR USED DETRIMENTALLY TO OUR INTEREST.		PRODUCTION DATE:	7/2/2003
THIRD ANGLE PROJECTION			

SALCO PRODUCTS, INC.

PART NAME: **EYEBOLT ASSEMBLY 7/8"X6"**

MATERIAL: **SEE BOM**

PROJECT #: _____ SHEET #: **1 OF 1** SCALE: **1:1**

DRAWING #: **B18168** PART #: **EB786X2HAC**

