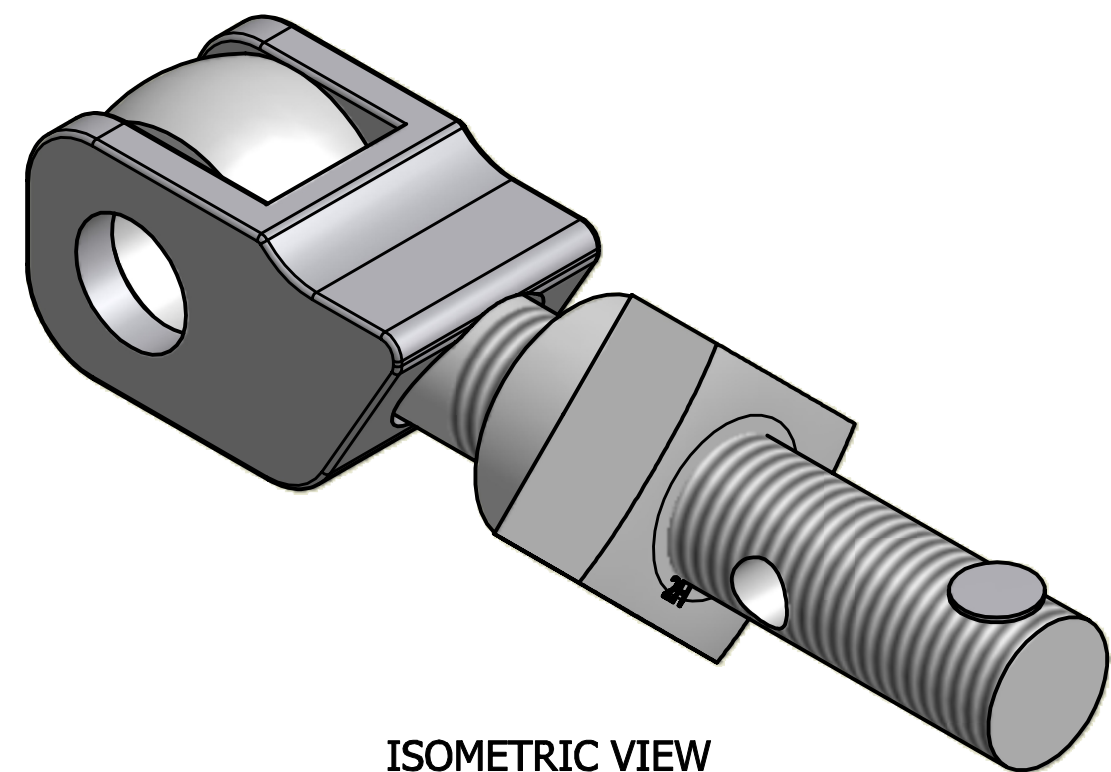
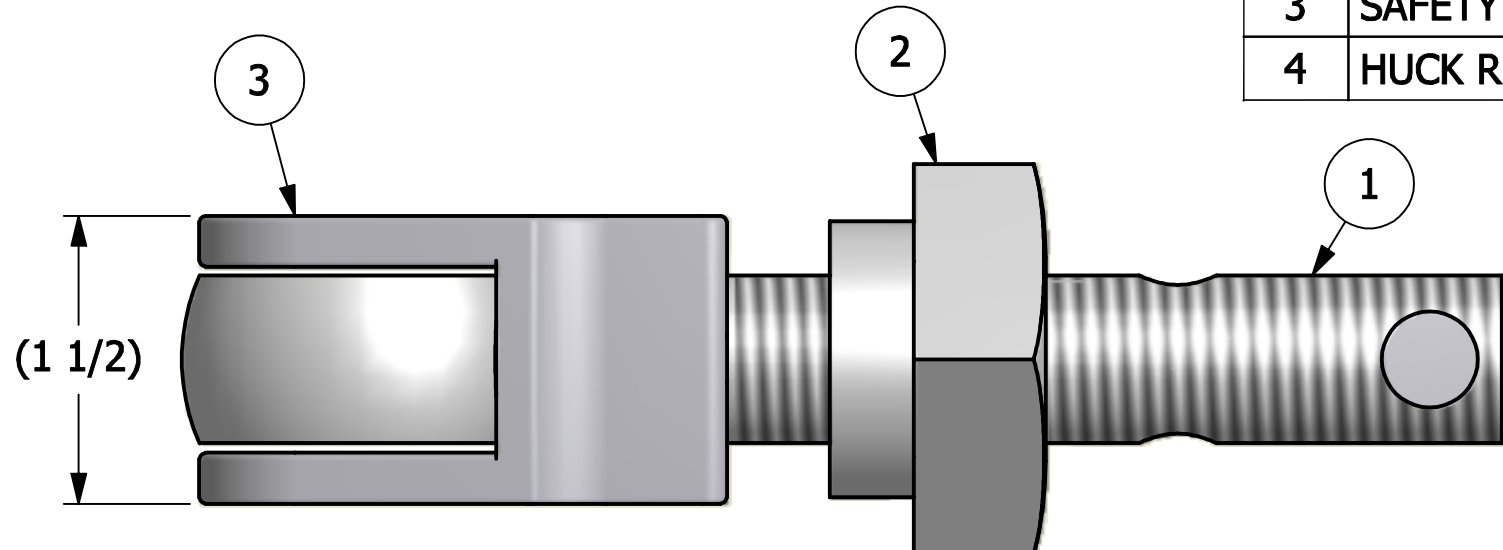
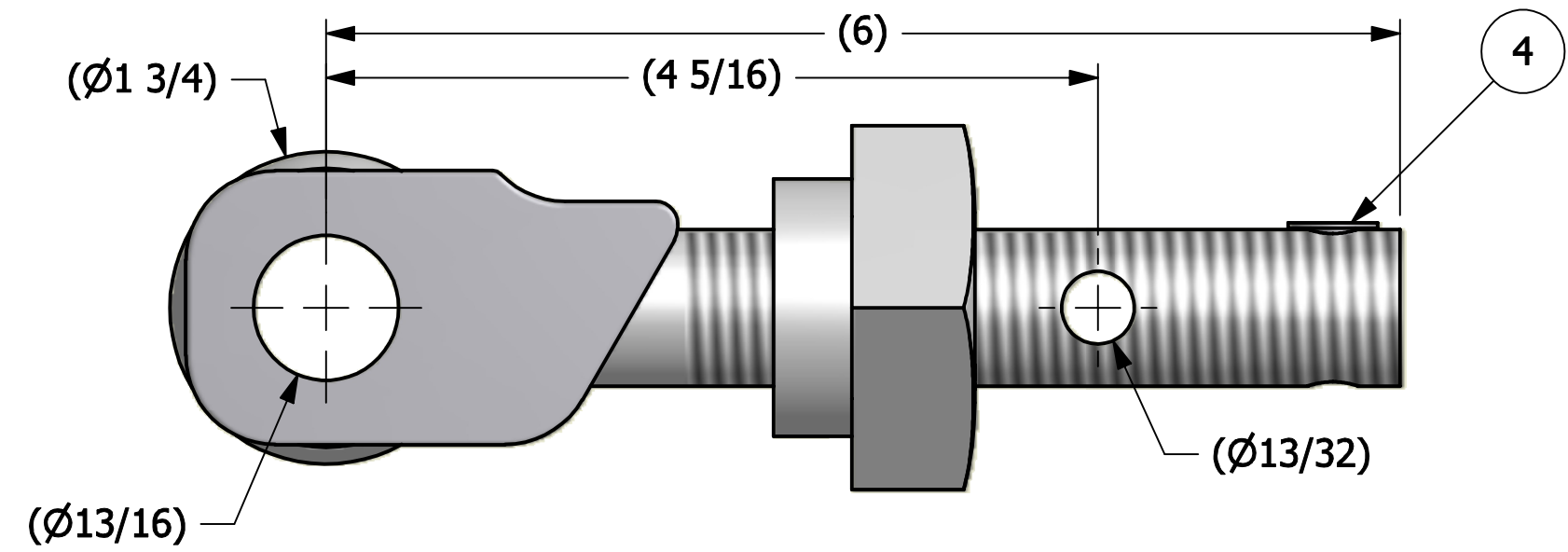


NO.	PART NAME	PART#	REQ'D	MATERIAL
1	EYEBOLT 7/8"X6"	EBR786HR	1	CARBON STEEL
2	HEAVY SQUARE FERRULE NUT 7/8"-9	N78SN	1	CARBON STEEL
3	SAFETY CATCH 2 3/4"	DEB275SC	1	316 SS
4	HUCK RIVET 1/4"X13/16"	A16204	1	316 SS



ISOMETRIC VIEW



B	BRG	12-17-08	UPDATED EYEBOLT MATERIAL
A	CHL	11-26-01	REPLACED SN14S WITH A16204
REV	BY	DATE	DESCRIPTION

UNLESS OTHERWISE SPECIFIED DIMENSIONAL TOLERANCES		DRAWN BY:	FOD
FRACTIONAL:	±1/16	CHECKED BY:	SAB
X.XX:	±.03	PROTOTYPE BY:	FOD
X.XXX:	±.015	PROTOTYPE DATE:	6/9/1999
ANGULAR:	±1°	APPROVED FOR PRODUCTION BY:	SAB
THIS PRINT, PROPERTY OF SALCO PRODUCTS INC. CONTAINS PROPRIETARY INFORMATION AND MUST NOT BE COPIED, REPRODUCED, OR USED DETRIMENTALLY TO OUR INTEREST.		PRODUCTION DATE:	6/9/1999
THIRD ANGLE PROJECTION			

SALCO PRODUCTS, INC.

PART NAME: **EYEBOLT ASSEMBLY 7/8"X6"**

MATERIAL: **SEE BOM**

PROJECT #: _____ SHEET #: **1 OF 1** SCALE: **1:1**

DRAWING #: **B13523** PART #: **EB786HASC**