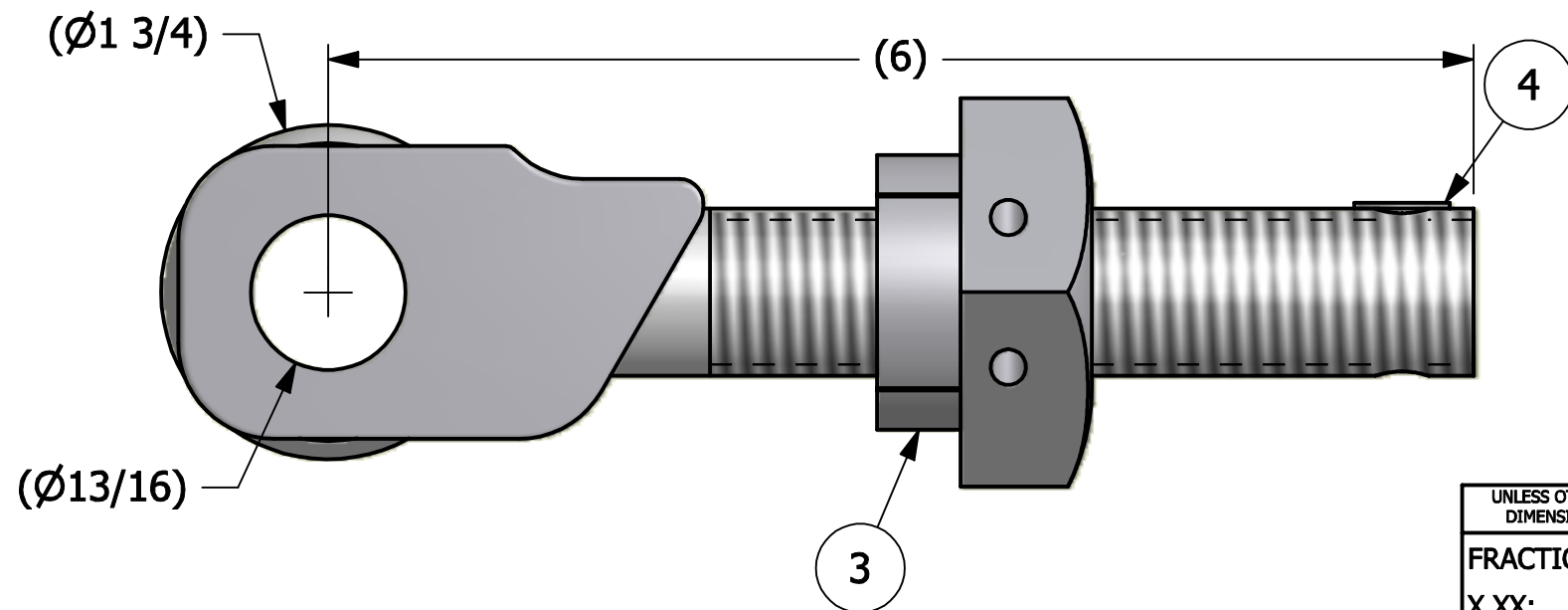
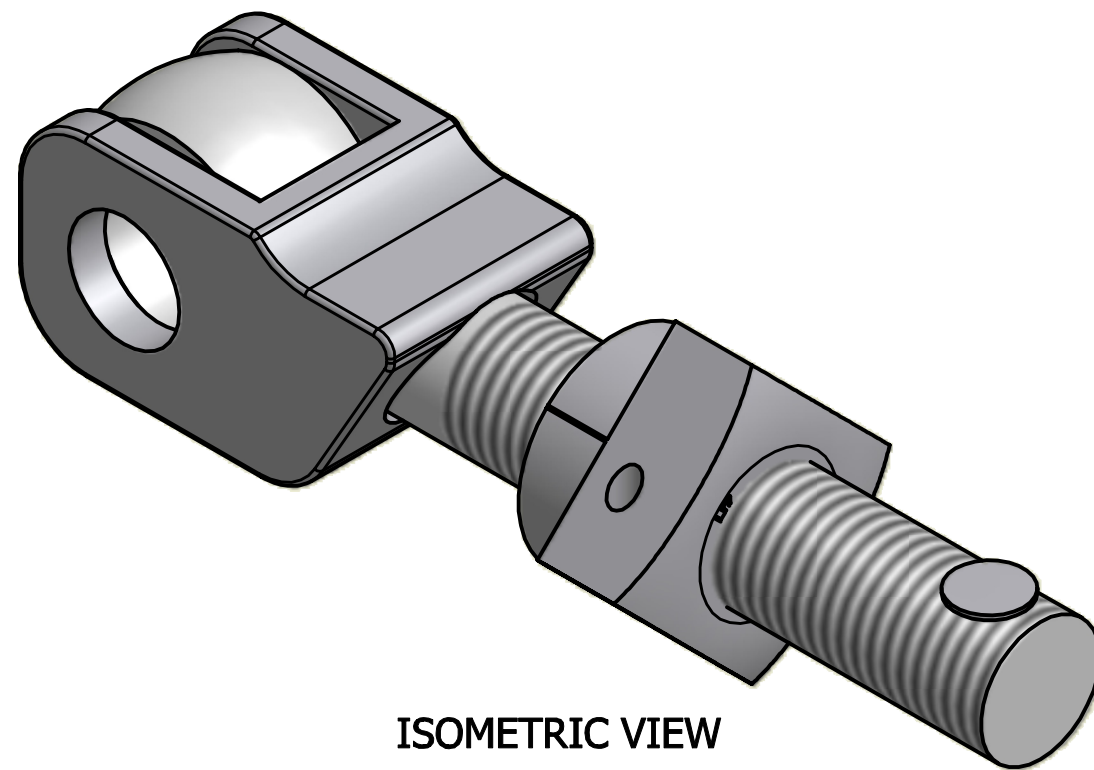
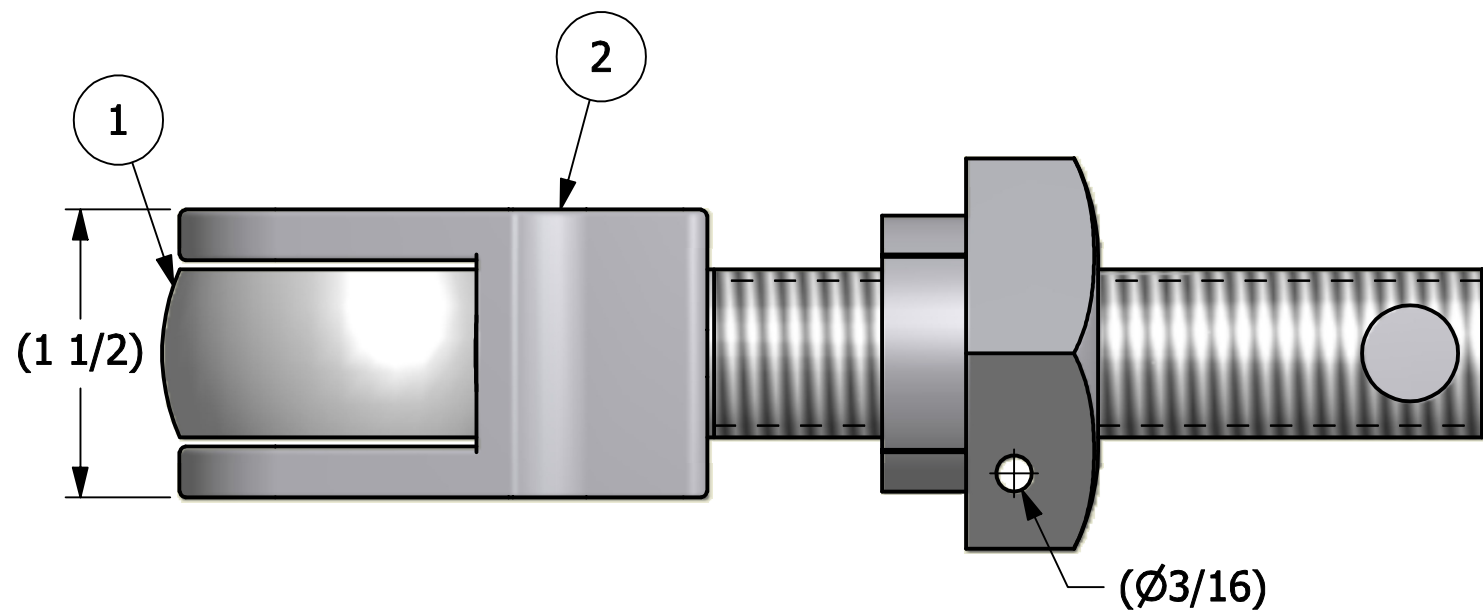


NO.	PART NAME	PART#	REQ'D	MATERIAL
1	EYEBOLT 7/8"X6"	EBR786R	1	CARBON STEEL
2	SAFETY CATCH 2 3/4"	DEB275SC	1	316 SS
3	HEAVY SQUARE FERRULE NUT 7/8"-9	N78SNH	1	CARBON STEEL
4	HUCK RIVET 1/4"X13/16"	A16204	1	316 SS



REV	BY	DATE	DESCRIPTION
B	BRG	1-19-09	UPDATED EYEBOLT MATERIAL
A	CHL	4-16-07	NEW PART ADDED TO SYSTEM

UNLESS OTHERWISE SPECIFIED DIMENSIONAL TOLERANCES	DRAWN BY:	CHL
FRACTIONAL: ±1/16	CHECKED BY:	ACC
X.XX: ±.03	PROTOTYPE BY:	CHL
X.XXX: ±.015	PROTOTYPE DATE:	1/9/2007
ANGULAR: ±1°	APPROVED FOR PRODUCTION BY:	ACC
THIS PRINT, PROPERTY OF SALCO PRODUCTS INC., CONTAINS PROPRIETARY INFORMATION AND MUST NOT BE COPIED, REPRODUCED, OR USED DETRIMENTALLY TO OUR INTEREST.	PRODUCTION DATE:	4/16/2007
THIRD ANGLE PROJECTION		

SALCO PRODUCTS, INC.		
PART NAME: EYEBOLT ASSEMBLY 7/8"X6"		
MATERIAL: SEE BOM		
PROJECT #: WAG0386	SHEET #: 1 OF 1	SCALE: 1:1
DRAWING #: B22995	PART #: EB786HA2SC	