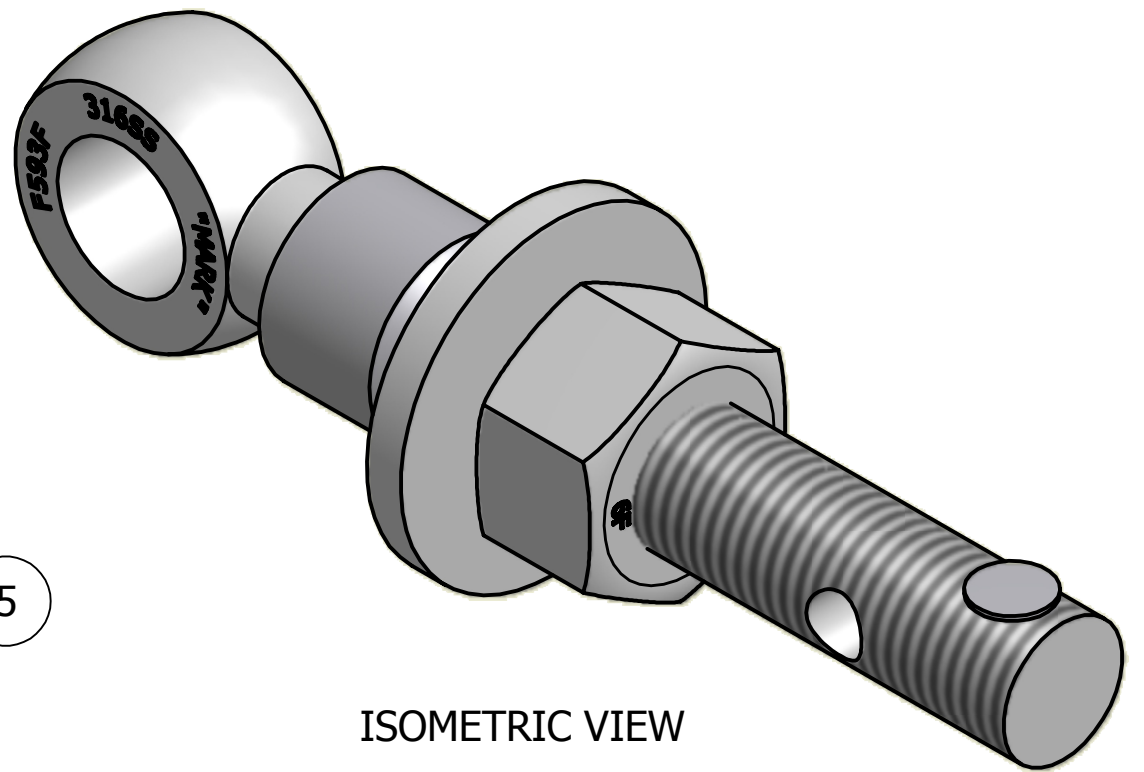


NO.	PART NAME	PART#	REQ'D	MATERIAL
1	EYEBOLT 7/8"X6 1/2"	EBR7865HFTS6R	1	316 SS
2	EYEBOLT SAFETY COLLAR 7/8"	COLLAR78S3T3	1	303 SS
3	HEAVY HEX NUT 7/8"-9	N78XS6	1	416 SS
4	FLAT WASHER 7/8"	WASH78S4T	1	304 SS
5	HUCK RIVET 1/4"X13/16"	A16204	1	304 SS



NOTE:
 APPLY JET LUBE (PFPE GREASE) TO WORKING THREAD AREA,
 THE BOTTOM FACE OF THE NUT AND THE TOP FACE OF THE
 WASHER.

B	CHL	10-15-10	REPLACED N78S6 W/N78XS6
A	CHL	6-10-10	NEW PART ADDED TO SYSTEM
REV	BY	DATE	DESCRIPTION

UNLESS OTHERWISE SPECIFIED DIMENSIONAL TOLERANCES	DRAWN BY:	CHL
FRACTIONAL: ±1/16	CHECKED BY:	VD
X.XX: ±.03	PROTOTYPE BY:	CHL
X.XXX: ±.015	PROTOTYPE DATE:	4/27/2010
ANGULAR: ±1°	APPROVED FOR PRODUCTION BY:	VD
THIS PRINT, PROPERTY OF SALCO PRODUCTS INC., CONTAINS PROPRIETARY INFORMATION AND MUST NOT BE COPIED, REPRODUCED, OR USED DETRIMENTALLY TO OUR INTEREST.	PRODUCTION DATE:	6/10/2010
THIRD ANGLE PROJECTION		

SALCO PRODUCTS, INC.

PART NAME:
EYEBOLT ASSEMBLY 7/8"X6 1/2"

MATERIAL: **SEE BOM**

PROJECT #: **WAG0784** SHEET #: **1 OF 1** SCALE: **1:1**

DRAWING #: **B28584** PART #: **EB7865XHFTAS6TC3L**