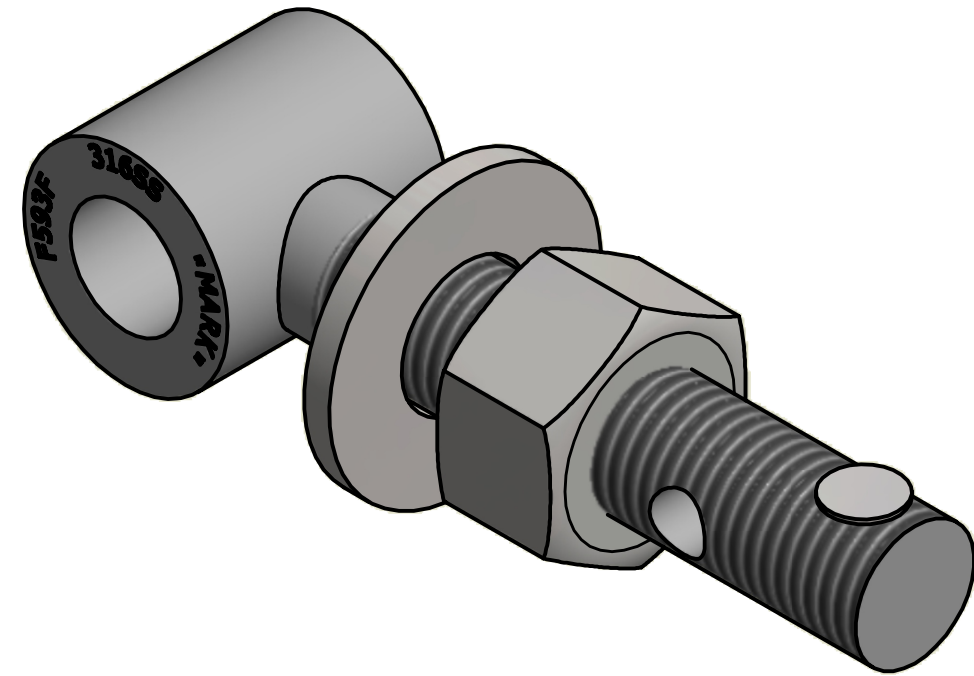
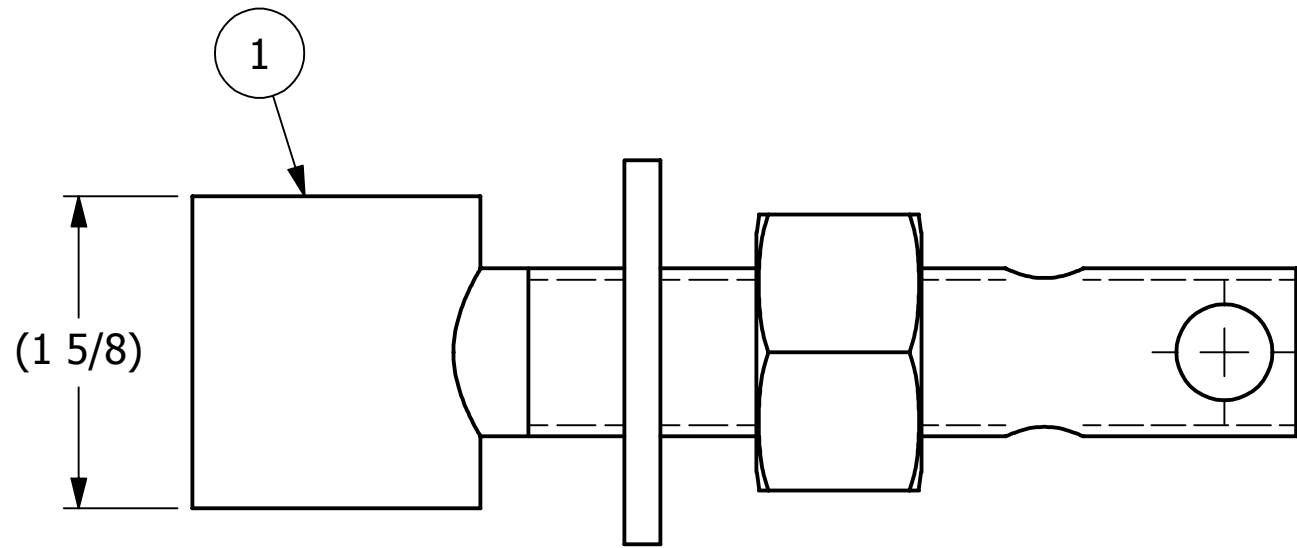
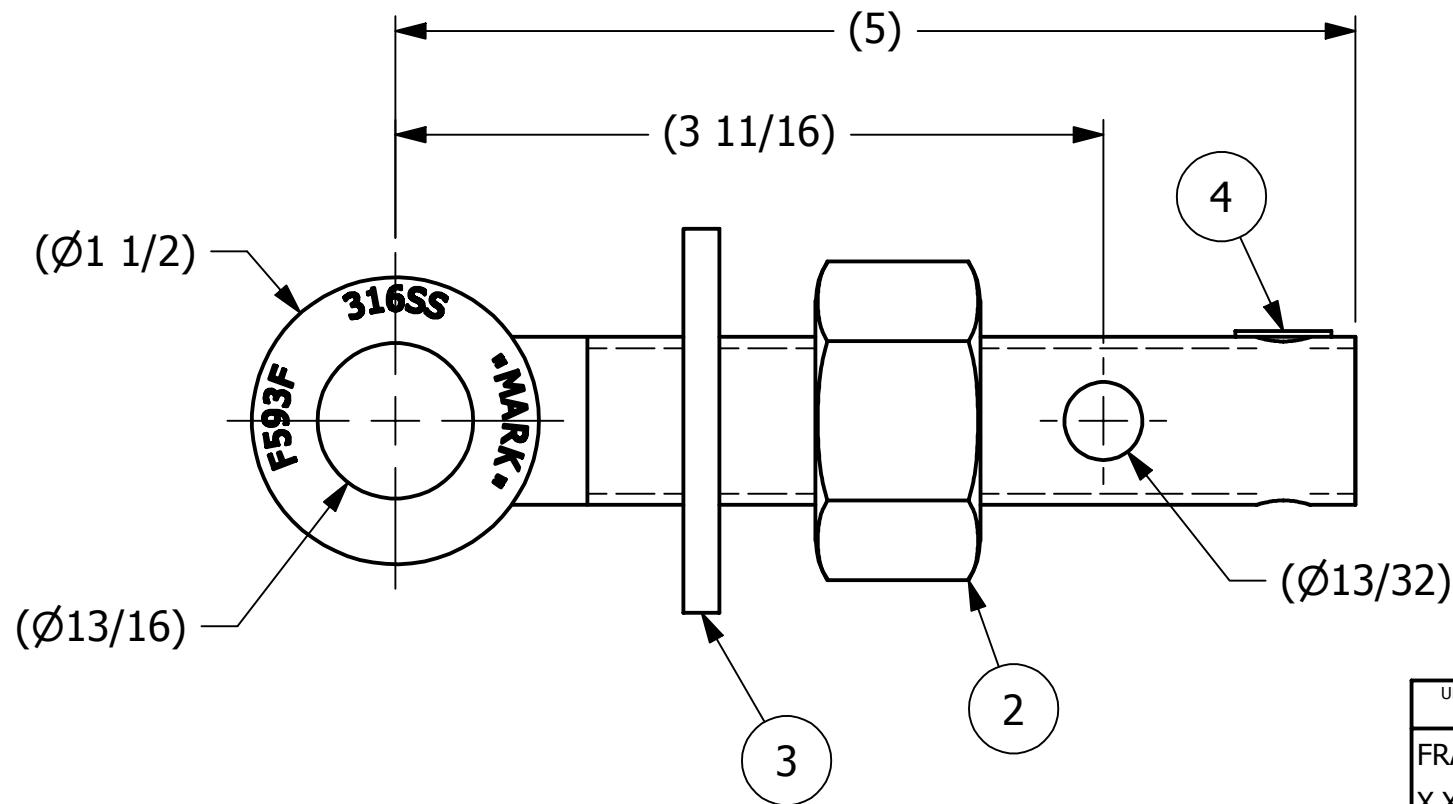


NO.	PART NAME	PART#	REQ'D	MATERIAL
1	EYEBOLT 7/8"X5"	EBR785THS6R	1	316 SS
2	HEAVY HEX NUT 7/8"-9	N78XS6	1	416 SS
3	FLAT WASHER 7/8" SAE	WASH78S6	1	316 SS
4	HUCK RIVET 1/4"X13/16"	A16204	1	304 SS



ISOMETRIC VIEW



REV	BY	DATE	DESCRIPTION
B	JJK	1-22-14	REPLACED WASH78S4 W/ WASH78S6
A	CHL	9-5-06	NEW PART ADDED TO SYSTEM

UNLESS OTHERWISE SPECIFIED DIMENSIONAL TOLERANCES	DRAWN BY:	CHL
FRACTIONAL: ±1/16	CHECKED BY:	ACC
X.XX: ±.03	PROTOTYPE BY:	CHL
X.XXX: ±.015	PROTOTYPE DATE:	2/1/2006
ANGULAR: ±1°	APPROVED FOR PRODUCTION BY:	ACC
THIS PRINT, PROPERTY OF SALCO PRODUCTS INC., CONTAINS PROPRIETARY INFORMATION AND MUST NOT BE COPIED, REPRODUCED, OR USED DETRIMENTALLY TO OUR INTEREST.	PRODUCTION DATE:	9/5/2006
THIRD ANGLE PROJECTION		

PART NAME: <b>EYEBOLT ASSEMBLY 7/8"X5"</b>		
MATERIAL: <b>SEE BOM</b>		
PROJECT #: <b>WAG0299</b>	SHEET #: <b>1 OF 1</b>	SCALE: <b>1:1</b>
DRAWING #: <b>B21520</b>	PART #: <b>EB785XTHAS6</b>	