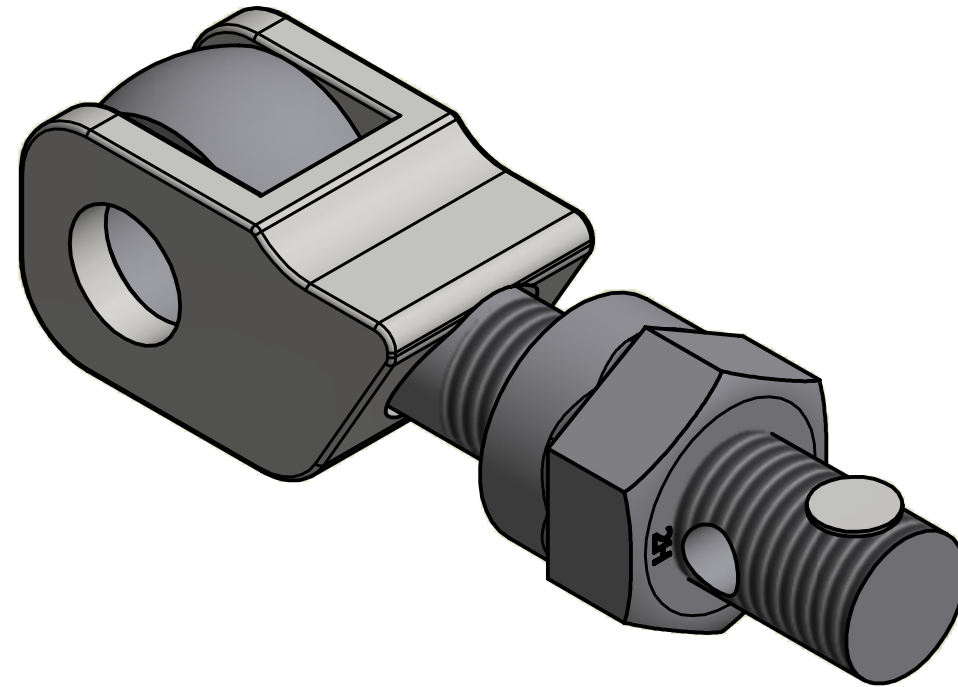
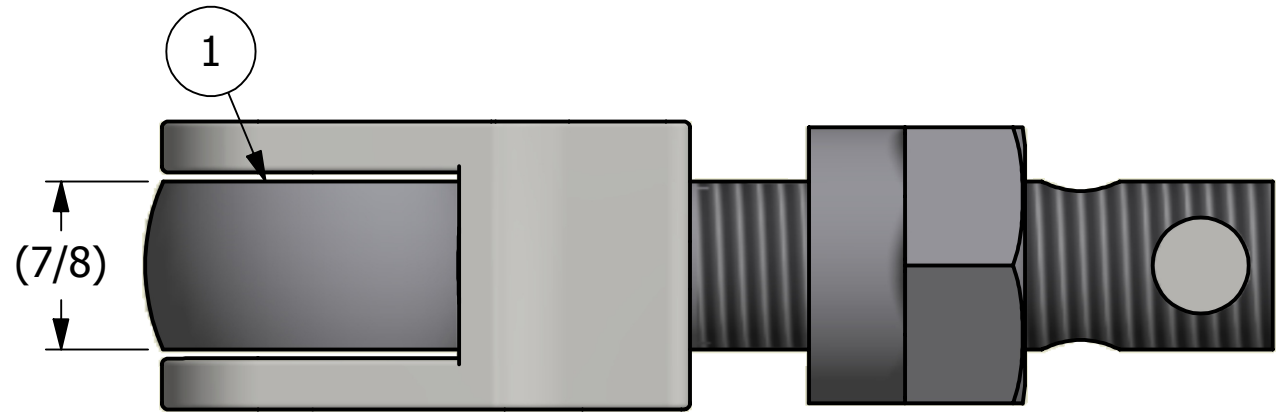
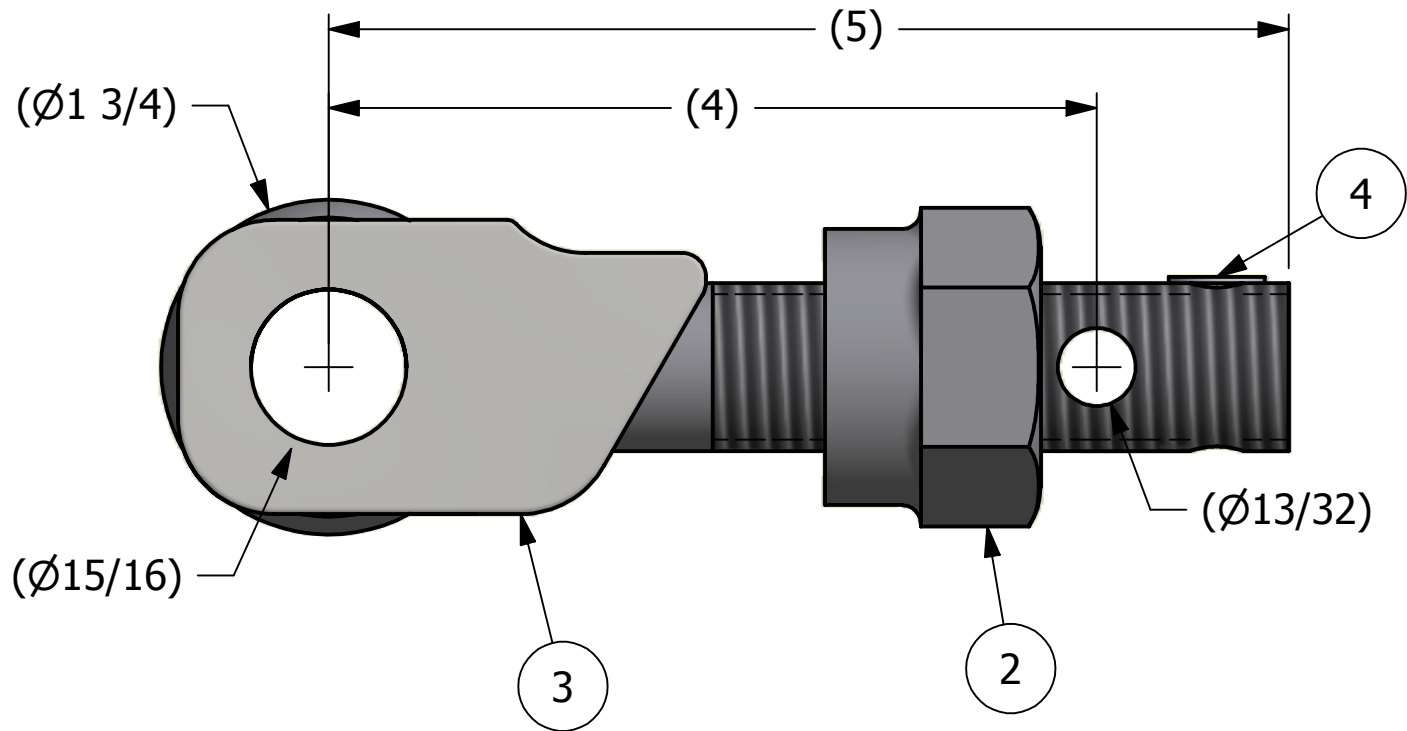


NO.	PART NAME	PART#	REQ'D	MATERIAL
1	EYEBOLT 7/8"X5"	EBR785HR	1	CARBON STEEL
2	HEAVY HEX FERRULE NUT 7/8"-9	N78XSN	1	CARBON STEEL
3	EYEBOLT SAFETY CATCH 7/8"	DEB275SC	1	316 SS
4	HUCK RIVET 1/4"X13/16"	A16204	1	304 SS



ISOMETRIC VIEW



REV	BY	DATE	DESCRIPTION
B	JJK	4-21-14	UPDATED EYEBOLT OD
A	CHL	9-21-10	DRAWING ADDED TO NETWORK

UNLESS OTHERWISE SPECIFIED DIMENSIONAL TOLERANCES		DRAWN BY:	VD
FRACTIONAL:	±1/16	CHECKED BY:	CHL
X.XX:	±.03	PROTOTYPE BY:	VD
X.XXX:	±.015	PROTOTYPE DATE:	1/11/2010
ANGULAR:	±1°	APPROVED FOR PRODUCTION BY:	CHL
THIS PRINT, PROPERTY OF SALCO PRODUCTS INC., CONTAINS PROPRIETARY INFORMATION AND MUST NOT BE COPIED, REPRODUCED, OR USED DETRIMENTALLY TO OUR INTEREST.		PRODUCTION DATE:	9/21/2010
THIRD ANGLE PROJECTION			

SALCO PRODUCTS, INC.

PART NAME:
EYEBOLT ASSEMBLY 7/8"X5"

MATERIAL: **SEE BOM**

PROJECT #: **WAG0759** SHEET #: **1 OF 1** SCALE: **1:1**

DRAWING #: **B27969** PART #: **EB785XSNHA2SC**