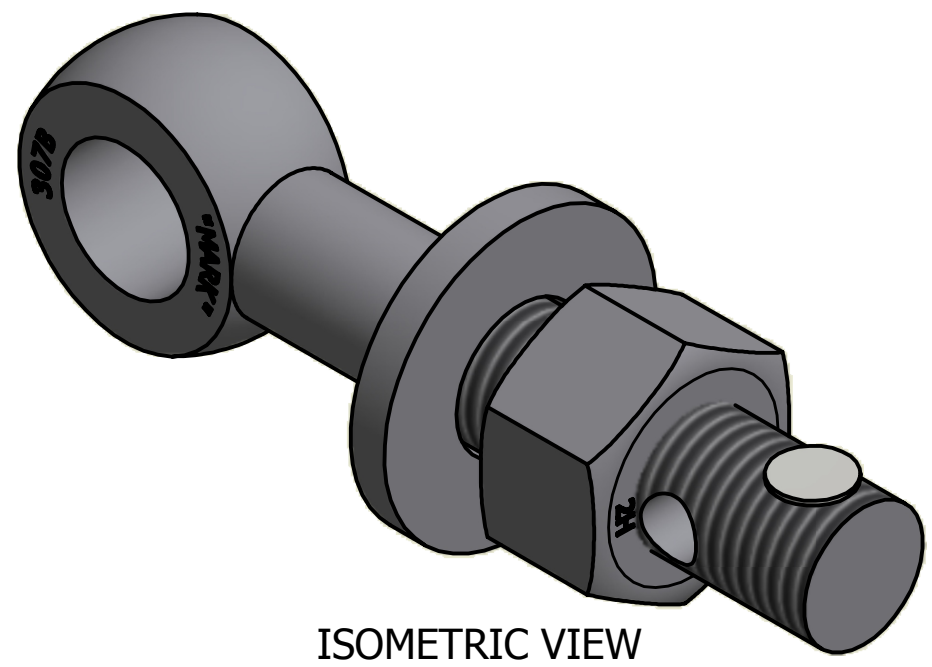
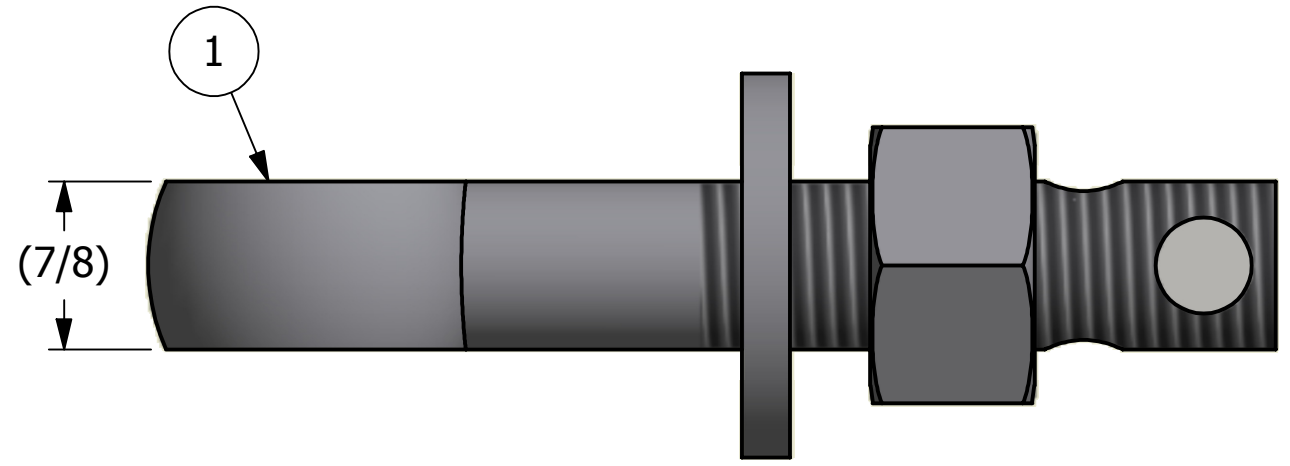
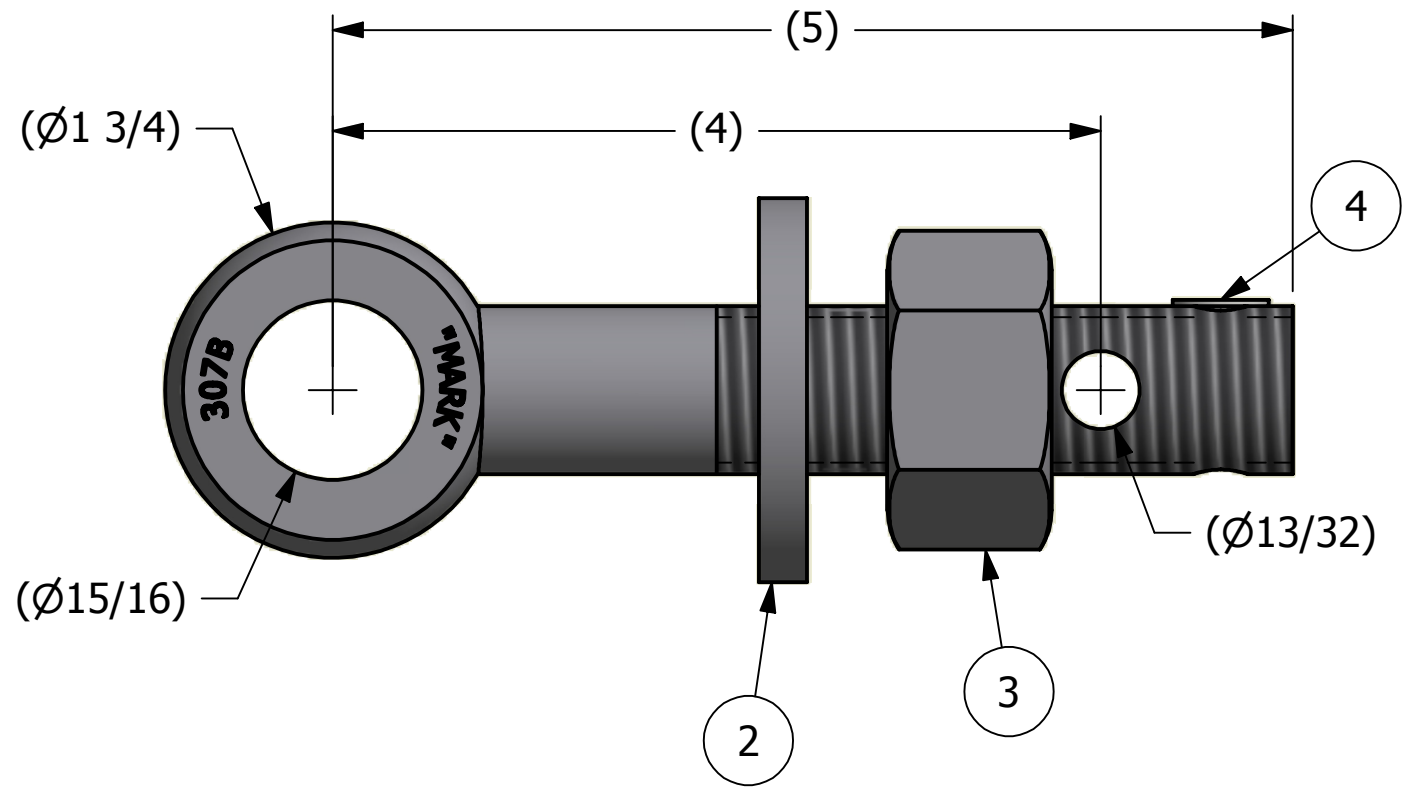


NO.	PART NAME	PART #	REQ'D	MATERIAL
1	EYEBOLT 7/8"X5"	EBR785HR	1	CARBON STEEL
2	FLAT WASHER 7/8"	WASH78T	1	CARBON STEEL
3	HEAVY HEX NUT 7/8"-9	N78X	1	CARBON STEEL
4	HUCK RIVET 1/4"X13/16"	A16204	1	304 SS



ISOMETRIC VIEW



REV	BY	DATE	DESCRIPTION
B	JJK	4-21-14	UPDATED EYEBOLT OD
A	CHL	9-20-10	DRAWING ADDED TO NETWORK

UNLESS OTHERWISE SPECIFIED DIMENSIONAL TOLERANCES	DRAWN BY:	VD
FRACTIONAL: ±1/16	CHECKED BY:	CHL
X.XX: ±.03	PROTOTYPE BY:	VD
X.XXX: ±.015	PROTOTYPE DATE:	1/11/2010
ANGULAR: ±1°	APPROVED FOR PRODUCTION BY:	CHL
THIS PRINT, PROPERTY OF SALCO PRODUCTS INC., CONTAINS PROPRIETARY INFORMATION AND MUST NOT BE COPIED, REPRODUCED, OR USED DETRIMENTALLY TO OUR INTEREST.	PRODUCTION DATE:	9/20/2010
THIRD ANGLE PROJECTION		

SALCO PRODUCTS, INC.

PART NAME: EYEBOLT ASSEMBLY 7/8"X5"

MATERIAL: SEE BOM

PROJECT #: WAG0759 SHEET #: 1 OF 1 SCALE: 1:1

DRAWING #: B27954 PART #: EB785XHA2

