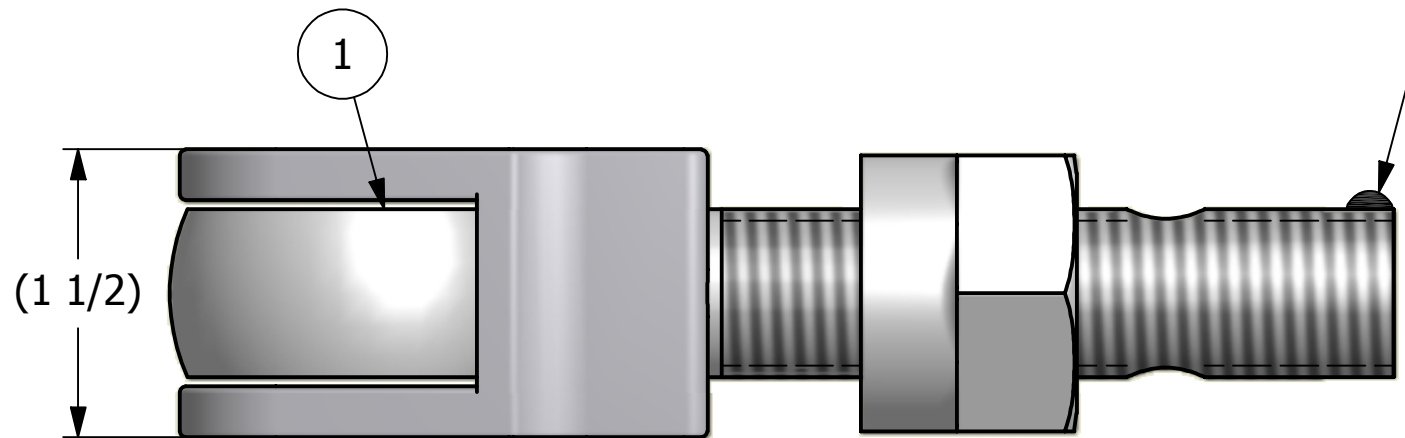
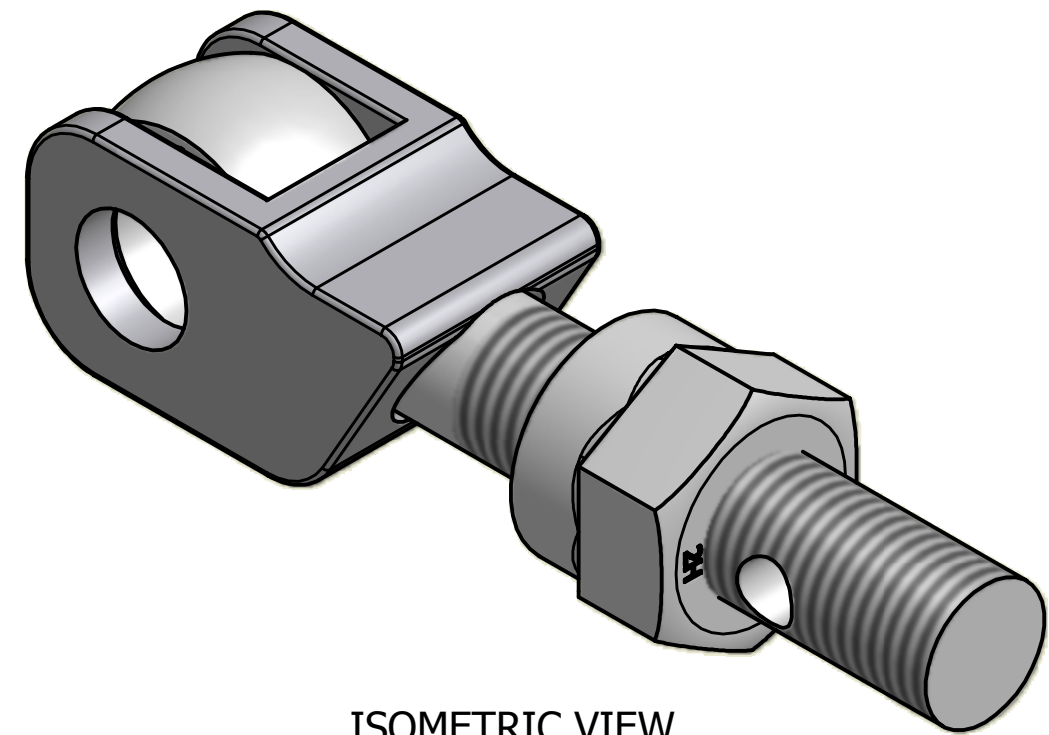


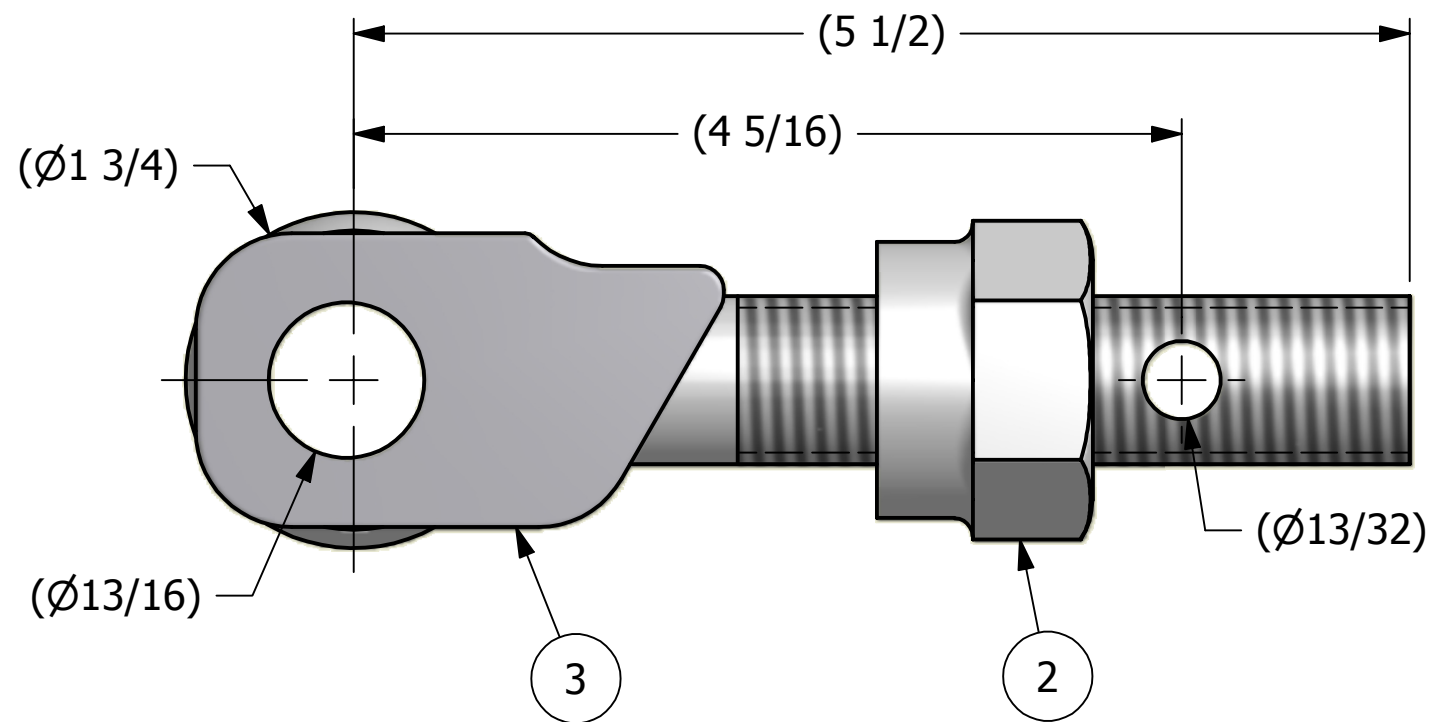
NO.	PART NAME	PART#	REQ'D	MATERIAL
1	EYEBOLT 7/8"X5 1/2"	EBR7855HB8MR	1	316 SS
2	HEAVY HEX FERRULE NUT 7/8"-9	N78XSN	1	CARBON STEEL
3	EYEBOLT SAFETY CATCH 7/8"	DEB275SC	1	316 SS



APPLY A BEAD OF WELD TO THE TWO END THREADS AFTER INSTALLING SAFETY CATCH AND NUT.



ISOMETRIC VIEW



NOTE:
PART# IS EB7855XSNHAB8MSCCN.

A	CHL	9-20-10	DRAWING ADDED TO NETWORK
REV	BY	DATE	DESCRIPTION

UNLESS OTHERWISE SPECIFIED DIMENSIONAL TOLERANCES	DRAWN BY:	CHL
FRACTIONAL: ±1/16	CHECKED BY:	VD
X.XX: ±.03	PROTOTYPE BY:	CHL
X.XXX: ±.015	PROTOTYPE DATE:	1/19/2010
ANGULAR: ±1°	APPROVED FOR PRODUCTION BY:	VD
THIS PRINT, PROPERTY OF SALCO PRODUCTS INC., CONTAINS PROPRIETARY INFORMATION AND MUST NOT BE COPIED, REPRODUCED, OR USED DETRIMENTALLY TO OUR INTEREST.	PRODUCTION DATE:	9/20/2010
THIRD ANGLE PROJECTION		

SALCO PRODUCTS, INC.

PART NAME:
EYEBOLT ASSEMBLY 7/8"X5 1/2"

MATERIAL: **SEE BOM**

PROJECT #: **WAG0764** SHEET #: **1 OF 1** SCALE: **1:1**

DRAWING #: **B28005** PART #: **SEE NOTE**