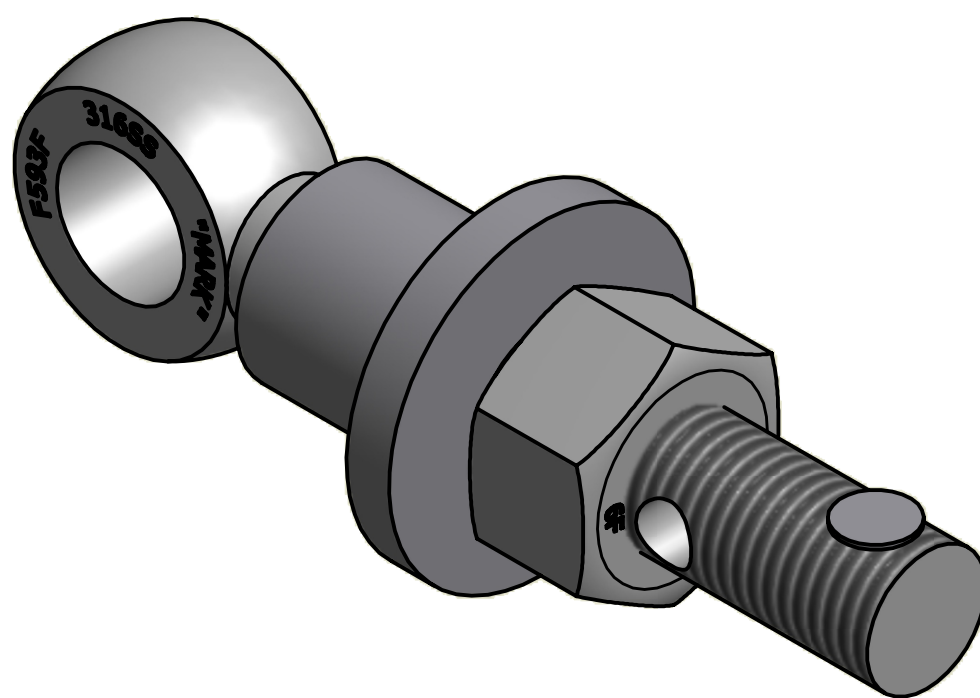


NO.	PART NAME	PART#	REQ'D	MATERIAL
1	EYEBOLT 7/8"X5 1/2"	EBR7855HS6R	1	316 SS
2	HEAVY HEX NUT 7/8"-9	N78XS6	1	416 SS
3	FLAT WASHER 7/8"	WASH78S6T2	1	316 SS
4	SAFETY COLLAR 1"	COLLAR2S4	1	304 SS
5	HUCK RIVET 1/4"X13/16"	A16204	1	304 SS



ISOMETRIC VIEW

A	CHL	7-15-09	NEW PART ADDED TO SYSTEM
REV	BY	DATE	DESCRIPTION
SALCO PRODUCTS, INC.			
PART NAME: EYEBOLT ASSEMBLY 7/8"X5 1/2"			
MATERIAL: SEE BOM			
PROJECT #:	WAG0701	SHEET #:	1 OF 1
		SCALE:	2:1
DRAWING #:	B27093	PART #:	EB7855XHAS6C

UNLESS OTHERWISE SPECIFIED DIMENSIONAL TOLERANCES	DRAWN BY:	CHL
FRACTIONAL: ±1/16	CHECKED BY:	PJG
X.XX: ±.03	PROTOTYPE BY:	CHL
X.XXX: ±.015	PROTOTYPE DATE:	6/17/2009
ANGULAR: ±1°	APPROVED FOR PRODUCTION BY:	PJG
THIS PRINT, PROPERTY OF SALCO PRODUCTS INC., CONTAINS PROPRIETARY INFORMATION AND MUST NOT BE COPIED, REPRODUCED, OR USED DETRIMENTALLY TO OUR INTEREST.	PRODUCTION DATE:	7/15/2009
THIRD ANGLE PROJECTION		