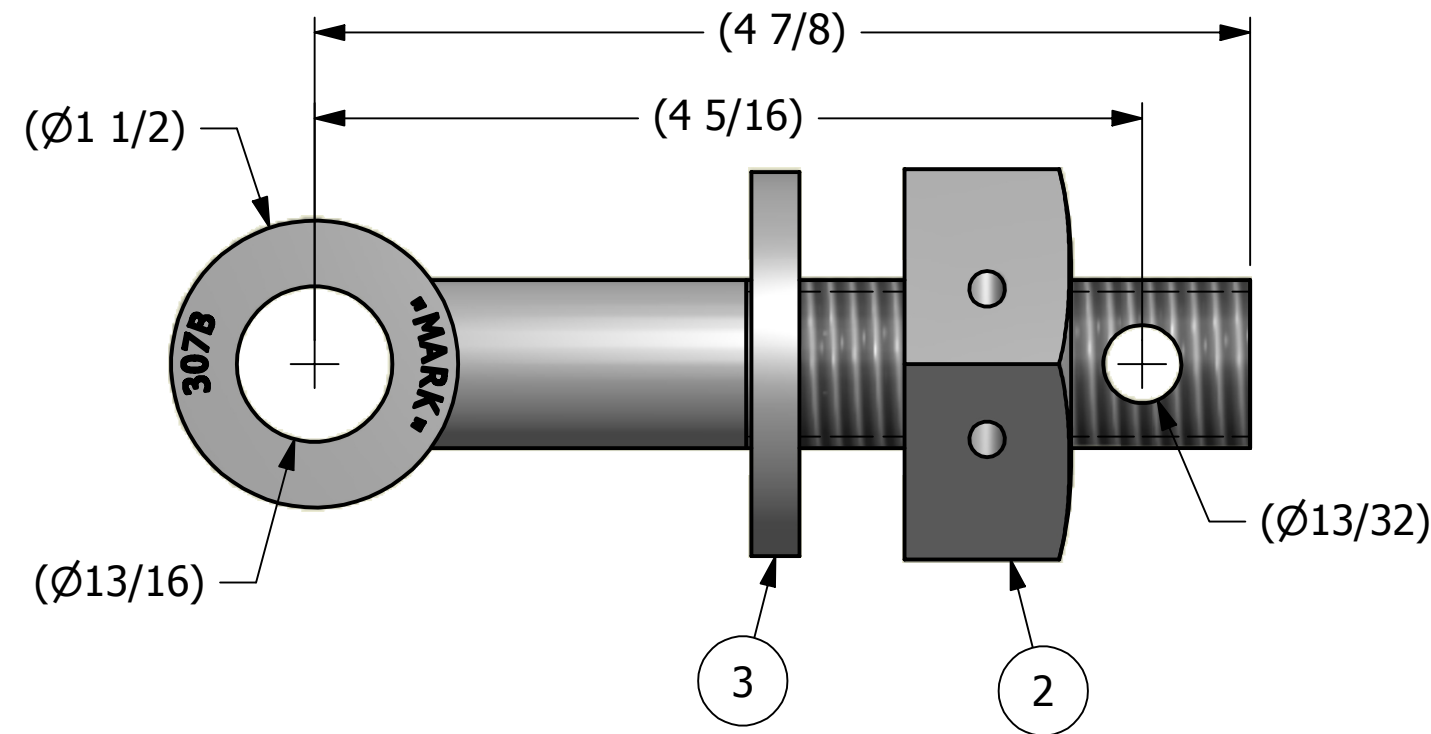
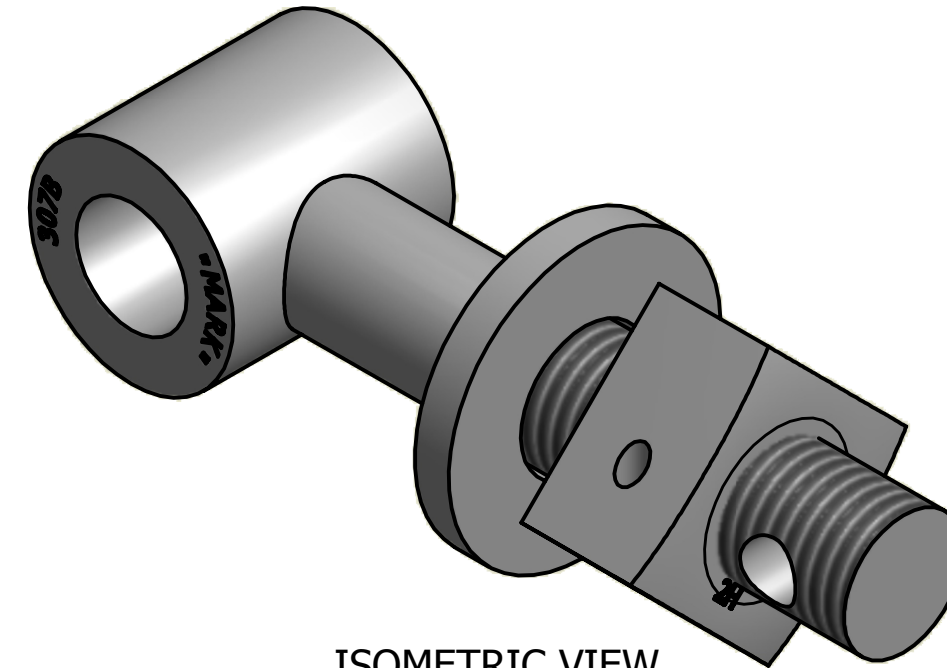
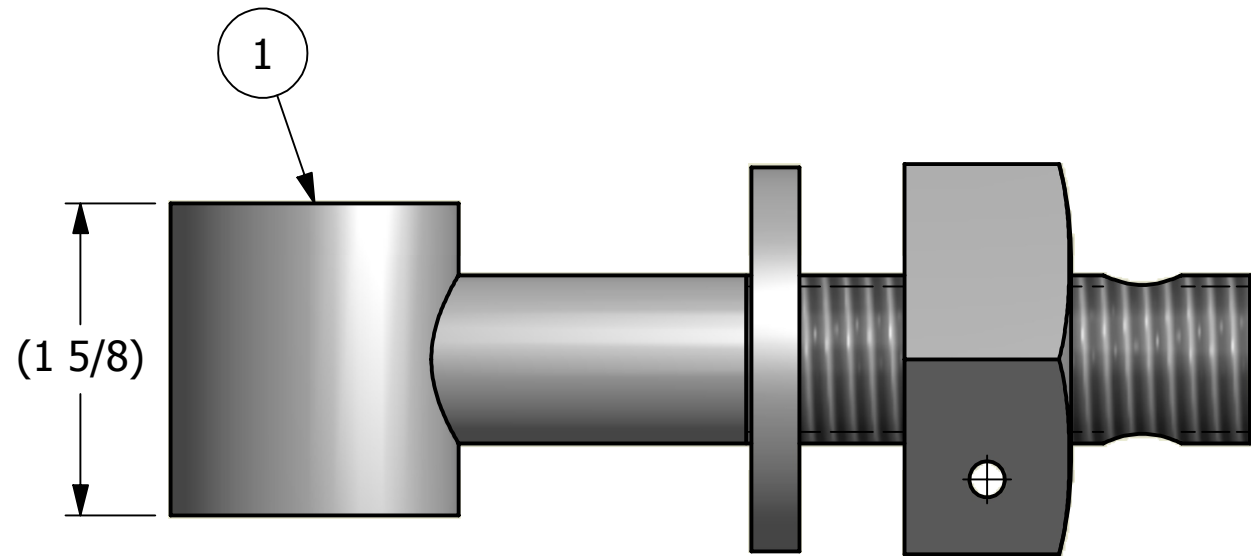


NO.	PART NAME	PART#	REQ'D	MATERIAL
1	EYEBOLT 7/8"X4 7/8"	EBR78478TH	1	CARBON STEEL
2	HEAVY SQUARE NUT 7/8"-9	N78H	1	CARBON STEEL
3	FLAT WASHER 7/8"	WASH78T	1	CARBON STEEL



REV	BY	DATE	DESCRIPTION
C	CHL	2-8-12	REMOVED TACK WELD
B	BRG	6-20-08	EBR78478TH WAS 1045 CS
A	CHL	4-16-07	NEW PART ADDED TO SYSTEM

UNLESS OTHERWISE SPECIFIED DIMENSIONAL TOLERANCES	DRAWN BY:	CHL
FRACTIONAL: ±1/16	CHECKED BY:	ACC
X.XX: ±.03	PROTOTYPE BY:	CHL
X.XXX: ±.015	PROTOTYPE DATE:	1/8/2007
ANGULAR: ±1°	APPROVED FOR PRODUCTION BY:	ACC
THIS PRINT, PROPERTY OF SALCO PRODUCTS INC., CONTAINS PROPRIETARY INFORMATION AND MUST NOT BE COPIED, REPRODUCED, OR USED DETRIMENTALLY TO OUR INTEREST.	PRODUCTION DATE:	4/16/2007
THIRD ANGLE PROJECTION		

SALCO PRODUCTS, INC.

PART NAME: **EYEBOLT ASSEMBLY 7/8"X4 7/8"**

MATERIAL: **SEE BOM**

PROJECT #: **WAG0386** SHEET #: **1 OF 1** SCALE: **1:1**

DRAWING #: **B22993** PART #: **EB78478THHA**