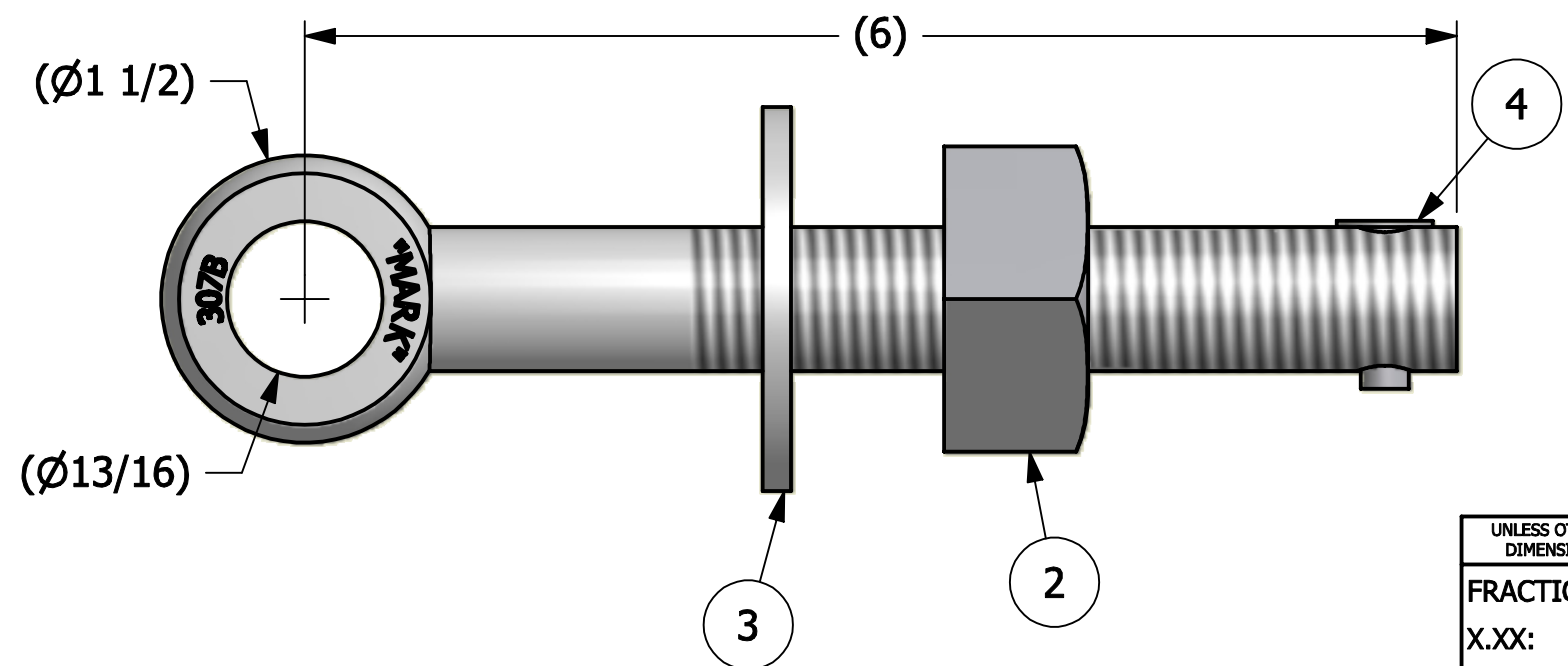
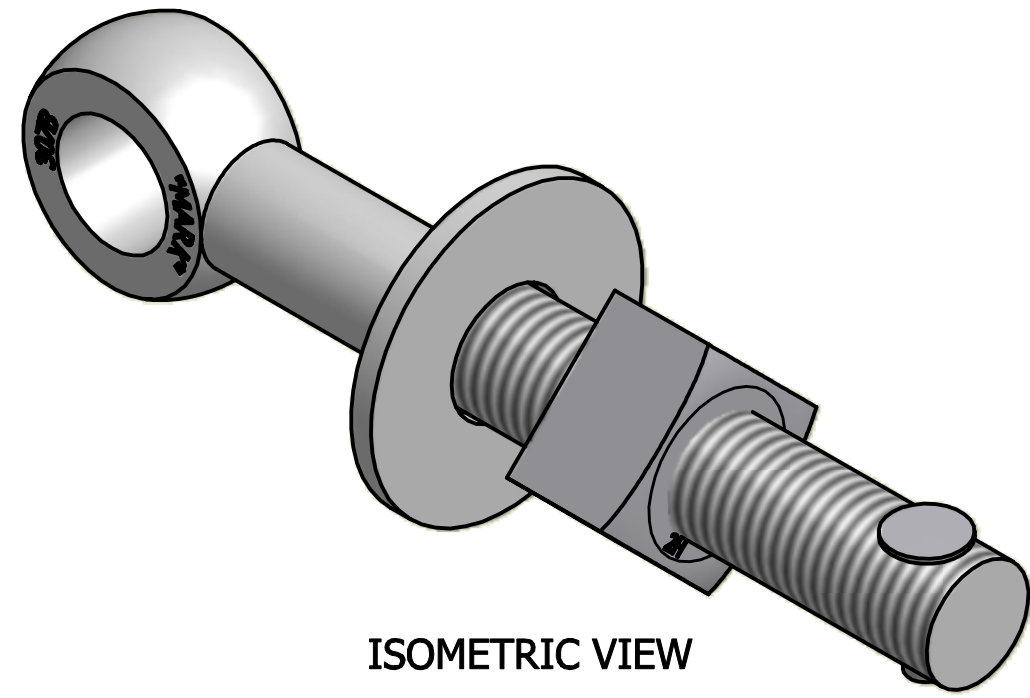
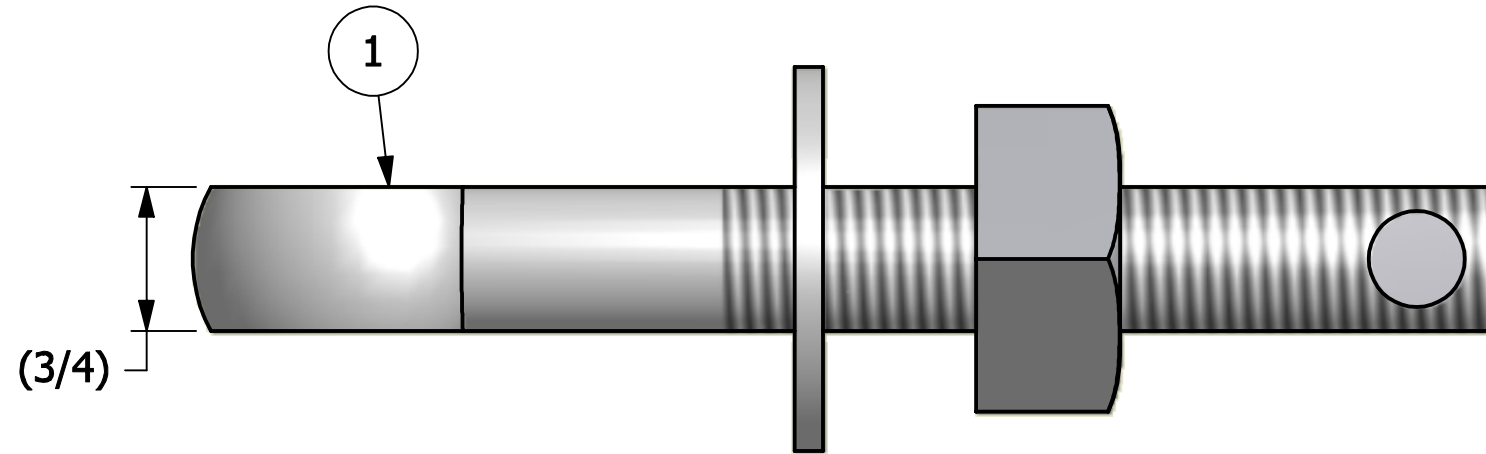


NO.	PART NAME	PART#	REQ'D	MATERIAL
1	EYEBOLT 3/4"X6"	EBR346R	1	CARBON STEEL
2	HEAVY SQUARE NUT 3/4"-10	N34	1	CARBON STEEL
3	FLAT WASHER 3/4" USS	WASH34	1	CARBON STEEL
4	HUCK RIVET 1/4"X13/16"	A16204	1	316 SS



REV	BY	DATE	DESCRIPTION
D	CHL	4-9-09	EBR346R WAS EB346R
C	CHL	11-26-01	REPLACED SN14S W/A16204
B	FOD	3-21-00	UPDATED B.O.M., ITEM #1 WAS EBR346R
A	FOD	8-5-99	UPDATED B.O.M., ITEM #1 WAS EB346R

UNLESS OTHERWISE SPECIFIED DIMENSIONAL TOLERANCES		DRAWN BY:	FOD
FRACTIONAL:	±1/16	CHECKED BY:	SAB
X.XX:	±.03	PROTOTYPE BY:	FOD
X.XXX:	±.015	PROTOTYPE DATE:	5/20/1999
ANGULAR:	±1°	APPROVED FOR PRODUCTION BY:	SAB
THIS PRINT, PROPERTY OF SALCO PRODUCTS INC., CONTAINS PROPRIETARY INFORMATION AND MUST NOT BE COPIED, REPRODUCED, OR USED DETRIMENTALLY TO OUR INTEREST.		PRODUCTION DATE:	5/20/1999
THIRD ANGLE PROJECTION			

SALCO PRODUCTS, INC.

PART NAME: **EYEBOLT ASSEMBLY 3/4"X6"**

MATERIAL: **SEE BOM**

PROJECT #: SHEET #: **1 OF 1** SCALE: **1:1**

DRAWING #: **B13454** PART #: **EB346A**