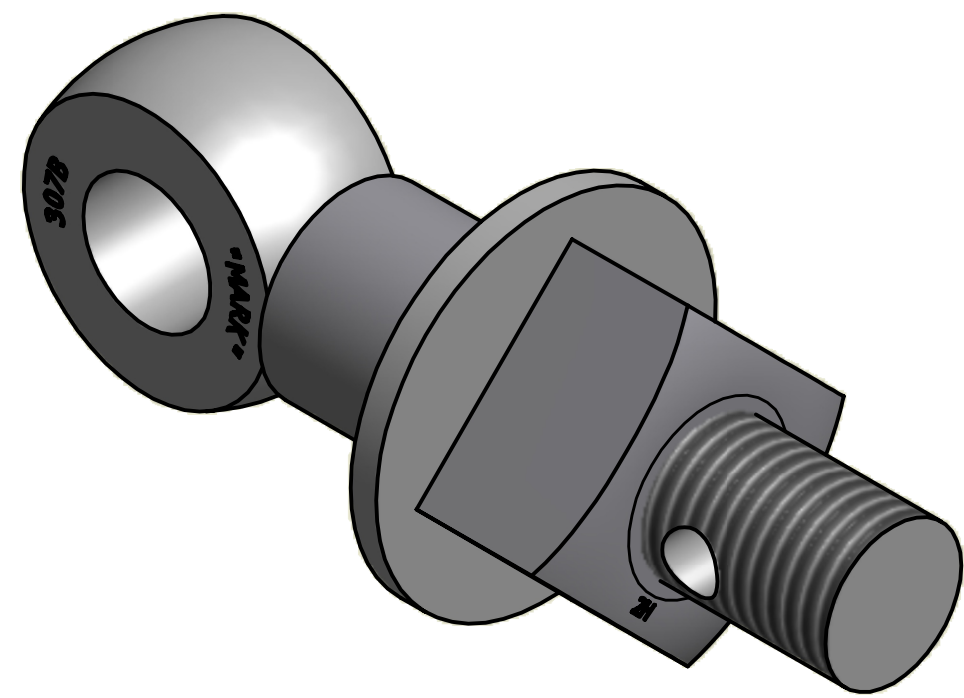


NO.	PART NAME	PART#	REQ'D	MATERIAL
1	EYEBOLT 1"X5"	EBR15H	1	CARBON STEEL
2	HEAVY SQUARE NUT 1"-8	N1	1	CARBON STEEL
3	FLAT WASHER 1"	WASH1P	1	CARBON STEEL
4	EYEBOLT SAFETY COLLAR 1"	COLLAR13S4	1	304 SS



ISOMETRIC VIEW

A	CHL	9-17-10	NEW PART ADDED TO NETWORK
REV	BY	DATE	DESCRIPTION

<small>UNLESS OTHERWISE SPECIFIED DIMENSIONAL TOLERANCES</small> FRACTIONAL: $\pm 1/16$ X.XX: $\pm .03$ X.XXX: $\pm .015$ ANGULAR: $\pm 1^\circ$ <small>DEBURR ALL SHARP EDGES. ALL MACHINED SURFACES TO HAVE A 125 RMS FINISH UNLESS NOTED OTHERWISE.</small>	DRAWN BY:	CHL
	CHECKED BY:	VD
	PROTOTYPE BY:	CHL
	PROTOTYPE DATE:	7/7/2010
	APPROVED FOR PRODUCTION BY:	VD
THIRD ANGLE PROJECTION	PRODUCTION DATE:	9/17/2010

**SALCO PRODUCTS, INC.**

PART NAME: **EYEBOLT ASSEMBLY 1"X5"**

MATERIAL: **SEE BOM**

PROJECT #: **WAG0860** SHEET #: **1 OF 1** SCALE: **1:1**

DRAWING #: **B29035** PART #: **EB15HAC**

THIS PRINT, PROPERTY OF SALCO PRODUCTS INC., CONTAINS PROPRIETARY INFORMATION AND MUST NOT BE COPIED, REPRODUCED, OR USED DETRIMENTALLY TO OUR INTEREST.