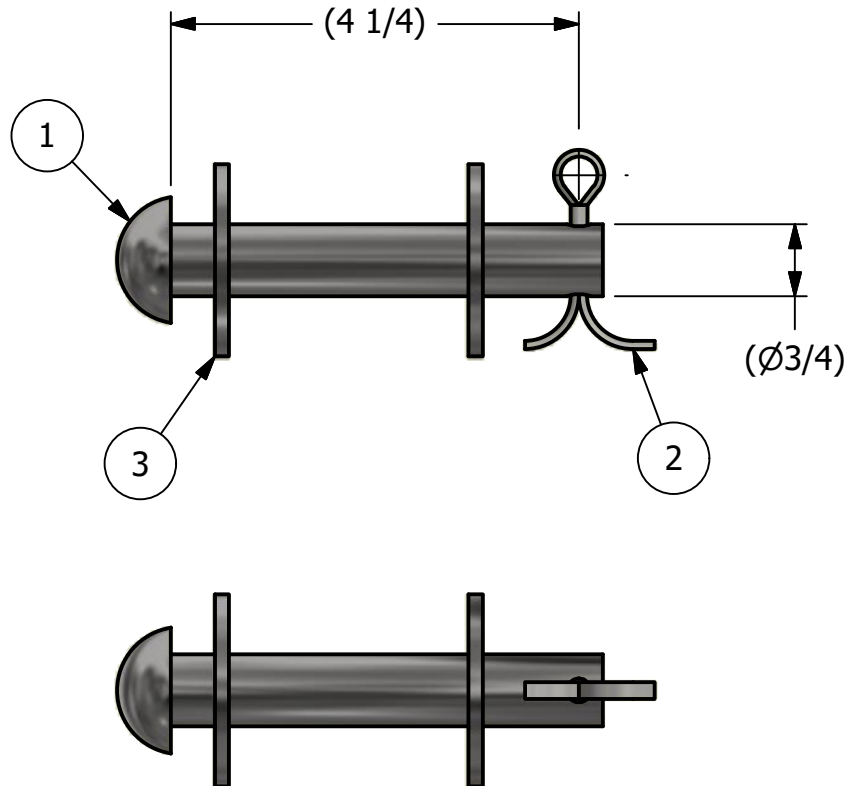


2

1

| NO. | PART NAME | PART # | REQ'D | MATERIAL |
|-----|-------------------------|------------|-------|----------|
| 1 | BUTTON HEAD ROD | BHR3445HC1 | 1 | CS |
| 2 | COTTER PIN 3/16"X1 1/2" | CP31615C1 | 1 | CS |
| 3 | FLAT WASHER 3/4" USS | WASH34 | 2 | CS |



NOTE:

3/4" BUTTON HEAD ROD WAS MADE TO FIT 3/4" AND 7/8" EYEBOLTS. IT MAY BE USED WITH A 1" EYEBOLT IF THE CUSTOMER REQUESTS IT BUT IT IS NOT A RECOMMENDATION MADE BY SALCO.

| | | | |
|-----|-----|----------|--|
| C | TAK | 3/19/20 | REPLACED CP3162S4 W/ CP31615C1 |
| B | WEB | 12/20/16 | UPDATED TO CURRENT CAD STANDARDS, PART DESCRIPTION CHANGED FROM RIVET TO ROD, UPDATED NOTE AND BOM |
| A | CHL | 4/27/04 | NEW PART ADDED TO SYSTEM |
| REV | BY | DATE | DESCRIPTION |

| | | |
|---|-----------------------------|-----------|
| UNLESS OTHERWISE SPECIFIED DIMENSIONAL TOLERANCES | DRAWN BY: | CHL |
| FRACTIONAL: $\pm 1/16$ | CHECKED BY: | ACC |
| X.XX: $\pm .03$ | PROTOTYPE DATE: | 4/1/2004 |
| X.XXX: $\pm .015$ | APPROVED FOR PRODUCTION BY: | ACC |
| ANGULAR: $\pm 1^\circ$ | PRODUCTION DATE: | 4/27/2004 |
| DEBURR ALL SHARP EDGES. ALL MACHINED SURFACES TO HAVE A 125 RMS FINISH UNLESS NOTED OTHERWISE. | SIZE: | A |
| THIRD ANGLE PROJECTION | DRAWING #: | 19085 |

SALCO PRODUCTS, INC.

PART NAME:
BUTTON HEAD ROD ASSEMBLY

MATERIAL: **SEE BOM**

PROJECT #: **WAG0126**

SHEET #: **1 OF 1**

SCALE: **1:2**

PART #:

BHR3445HC1A

2