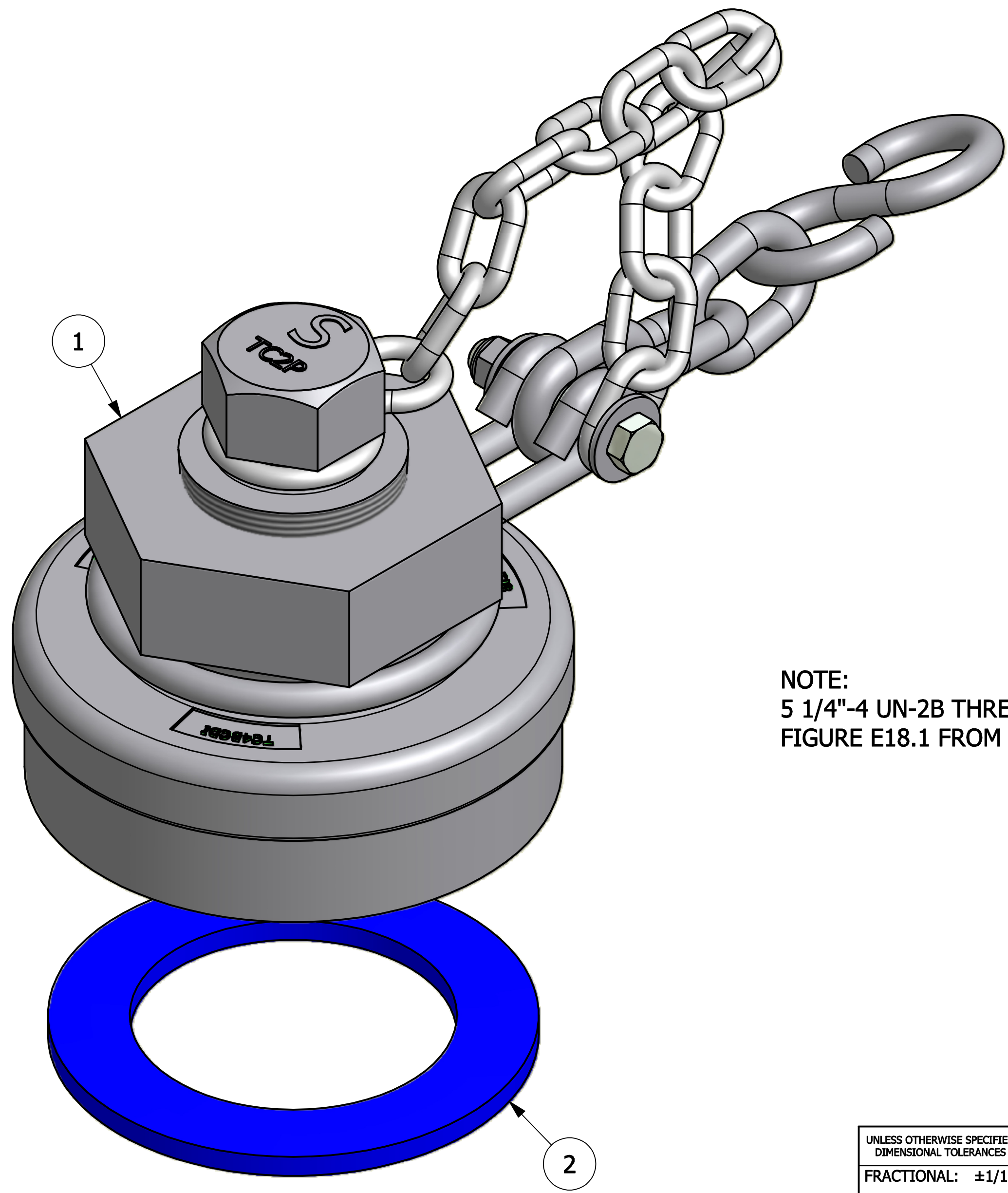


NO.	PART NAME	PART#	REQ'D	MATERIAL
1	BOTTOM OUTLET CAP 4"	TC4BCDIA	1	DUCTILE IRON
2	BOTTOM OUTLET CAP GASKET 4"	BCG3536	1	GARLOCK 3000



NOTE:
 5 1/4"-4 UN-2B THREADS CONFORM TO ANSI B1.1 AND
 FIGURE E18.1 FROM THE AAR TANK CAR MANUAL.

REV	BY	DATE	DESCRIPTION
B	CHL	4-1-08	REMOVED S-HOOK
A	CHL	9-10-03	NEW PART ADDED TO SYSTEM

UNLESS OTHERWISE SPECIFIED DIMENSIONAL TOLERANCES	DRAWN BY:	CHL
FRACTIONAL: ±1/16	CHECKED BY:	ACC
X.XX: ±.03	PROTOTYPE BY:	CHL
X.XXX: ±.015	PROTOTYPE DATE:	7/28/2003
ANGLE: ±1°	APPROVED FOR PRODUCTION BY:	ACC
THIS PRINT, PROPERTY OF SALCO PRODUCTS INC, CONTAINS PROPRIETARY INFORMATION AND MUST NOT BE COPIED, REPRODUCED, OR USED DETRIMENTALLY TO OUR INTEREST.	PRODUCTION DATE:	7/31/2003
THIRD ANGLE PROJECTION		

SALCO PRODUCTS, INC.

PART NAME:
BOTTOM OUTLET CAP 4"

MATERIAL: **SEE BOM**

PROJECT #: **WAG0543** SHEET #: **1 OF 1** SCALE: **1:1**

DRAWING #: **C18257** PART #: **TC4BCDI36A**

