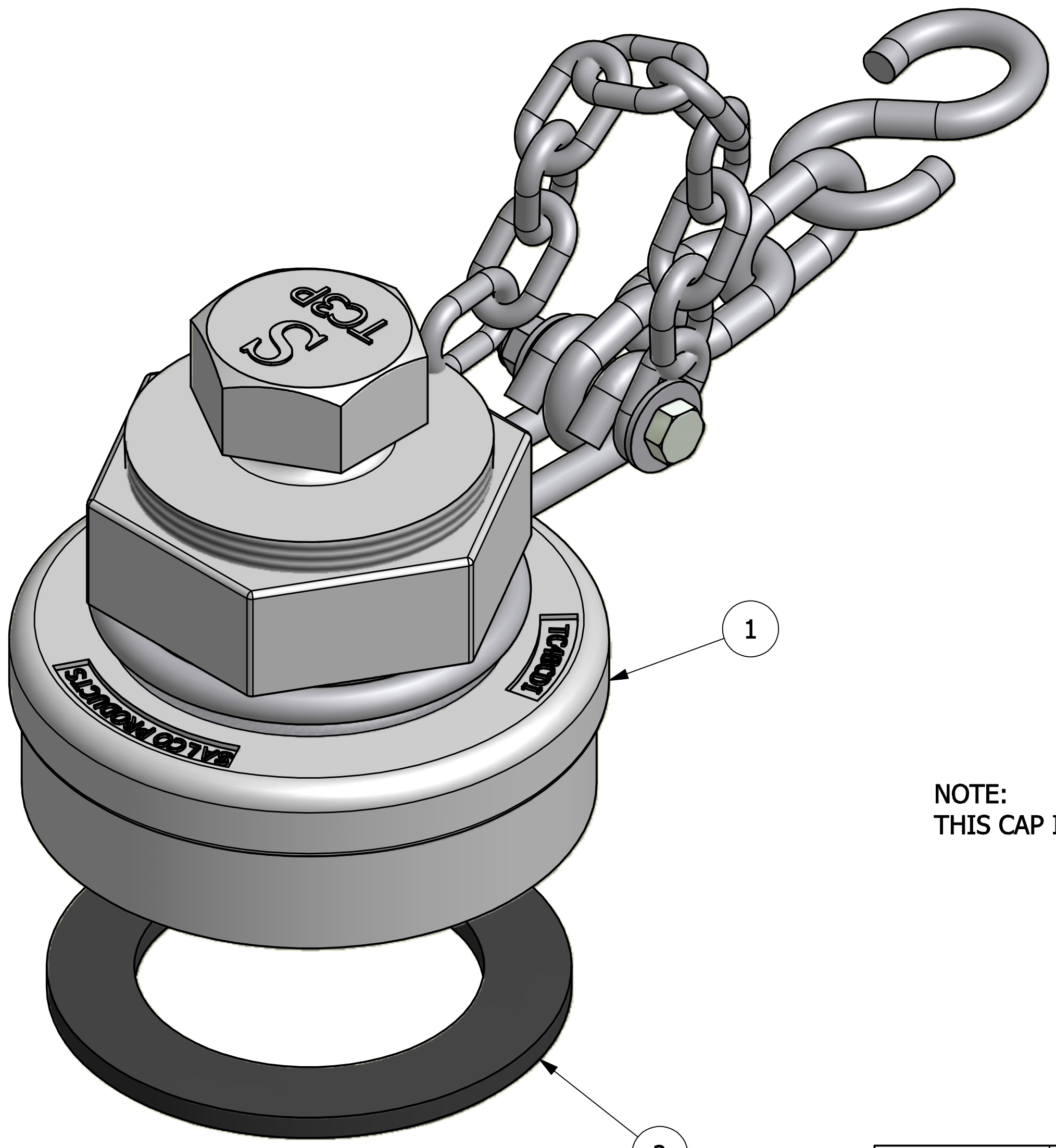


NO.	PART NAME	PART#	REQ'D	MATERIAL
1	BOTTOM OUTLET CAP 4"	TC43BCDIA	1	SEE DWG
2	BOTTOM OUTLET CAP GASKET 4"	BCG353	1	BLACK EPDM



**NOTE:**  
THIS CAP IS NOT APPROVED TO TRAVEL ON THE CAR.

UNLESS OTHERWISE SPECIFIED DIMENSIONAL TOLERANCES	DRAWN BY:	WRB
FRACTIONAL: ±1/16	CHECKED BY:	PJG
X.XX: ±.03	PROTOTYPE BY:	WRB
X.XXX: ±.015	PROTOTYPE DATE:	9/4/2008
ANGLE: ±1°	APPROVED FOR PRODUCTION BY:	PJG
THIS PRINT, PROPERTY OF SALCO PRODUCTS INC, CONTAINS PROPRIETARY INFORMATION AND MUST NOT BE COPIED, REPRODUCED, OR USED DETRIMENTALLY TO OUR INTEREST.	PRODUCTION DATE:	12/4/2008
THIRD ANGLE PROJECTION		

A	BRG	12-4-08	NEW PART ADDED TO SYSTEM
REV	BY	DATE	DESCRIPTION
<b>SALCO PRODUCTS, INC.</b>			
PART NAME: <b>BOTTOM OUTLET CAP 4"</b>			
MATERIAL: <b>SEE BOM</b>			
PROJECT #: <b>WAG0611</b>		SHEET #: <b>1 OF 1</b>	SCALE: <b>1:1</b>
DRAWING #: <b>C25929</b>		PART #: <b>TC43BCDI3A</b>	