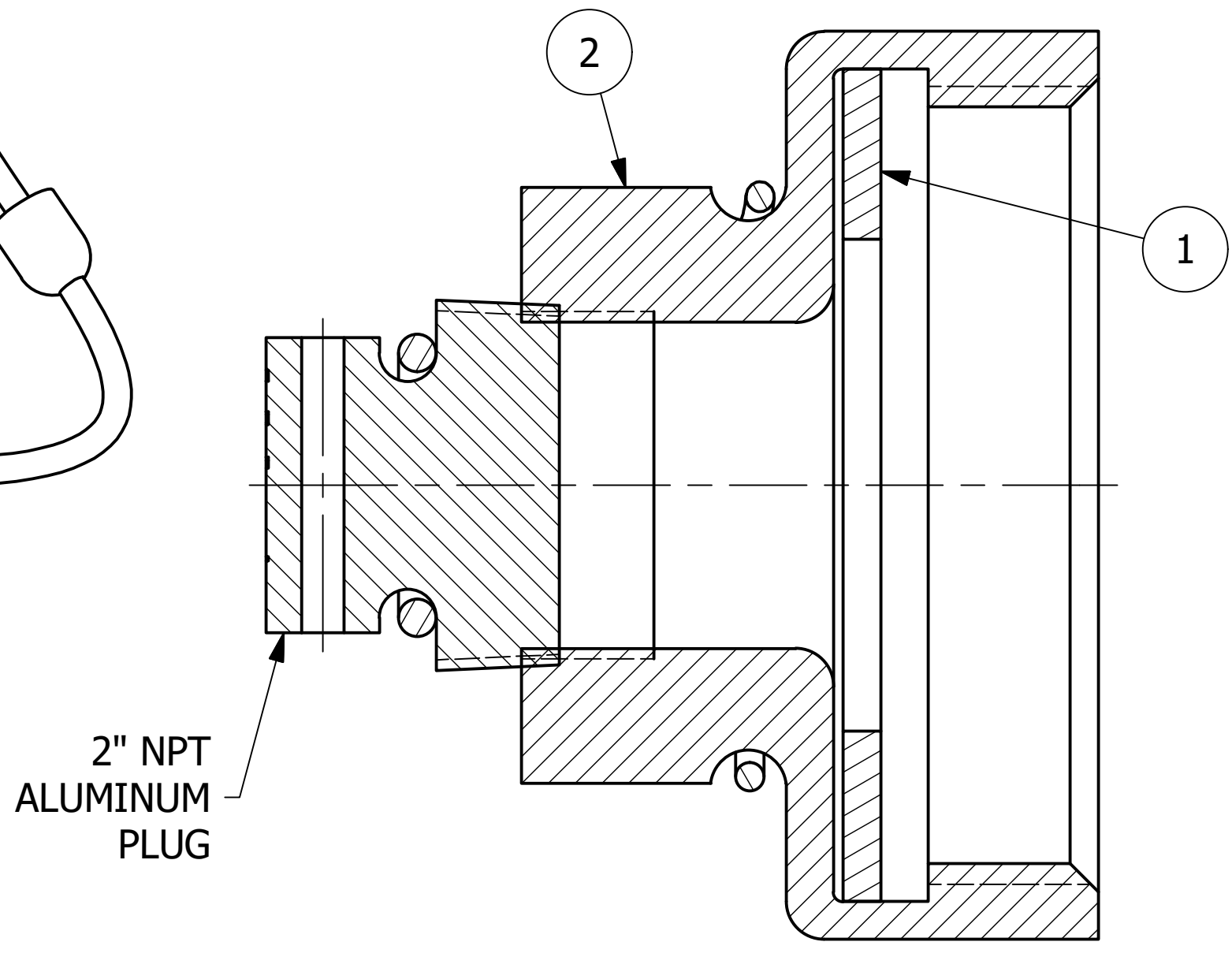
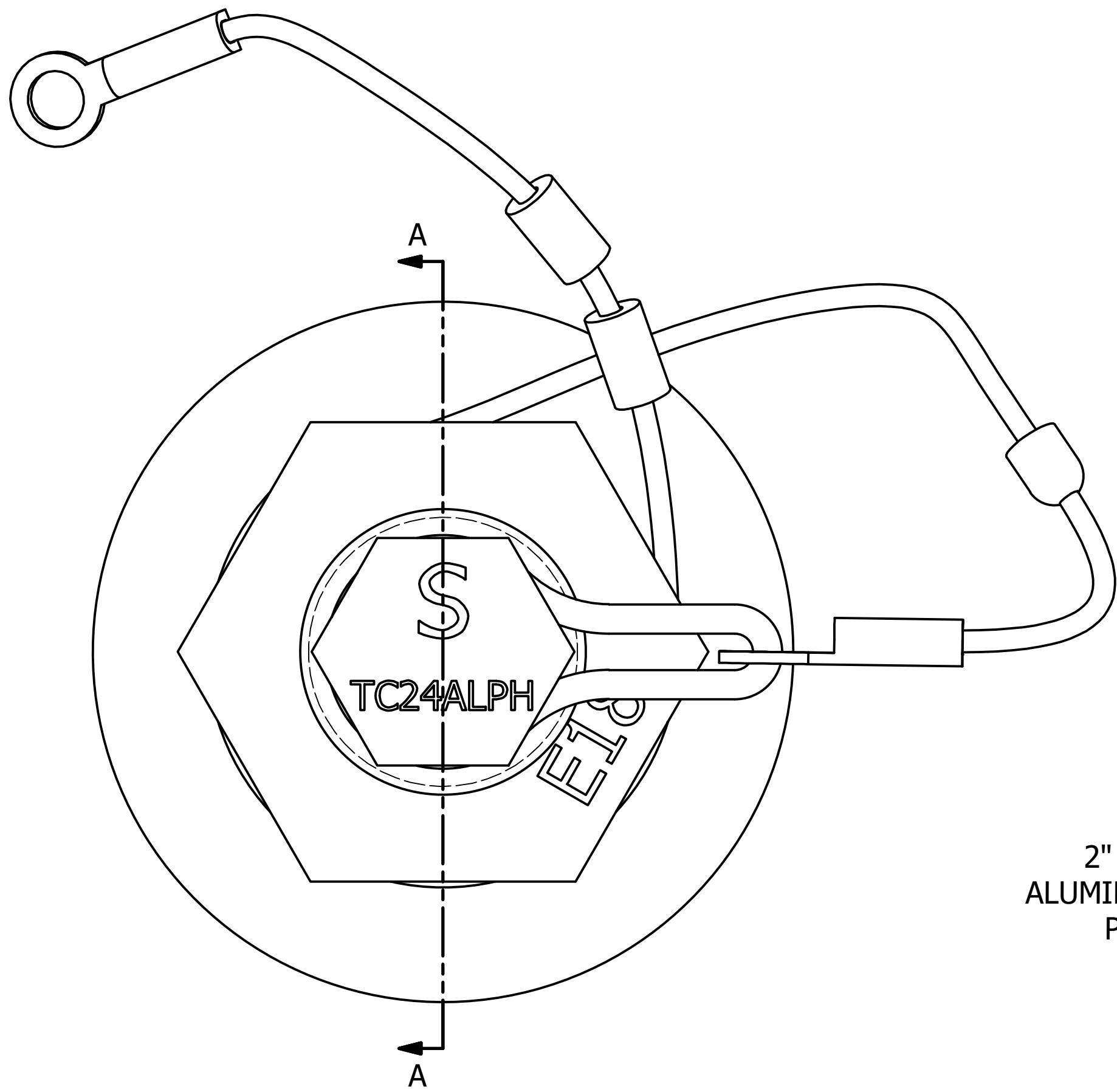


NO.	PART NAME	PART#	REQ'D	MATERIAL
1	GASKET 3 1/4"X5 1/2"	G3145502	1	FDA WHITE BUNA-N
2	BOTTOM OUTLET CAP 4"	TC45BCALA	1	ALUMINUM



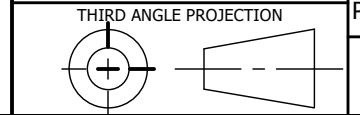
2" NPT
ALUMINUM
PLUG

SECTION A-A

NOTE:
5 1/4"-4 UN - 2B THREADS CONFORM TO ANSI B1.1 STANDARD
AND FIGURE E18 FROM AAR TANK CAR MANUAL.

REV	BY	DATE	DESCRIPTION
B	CHL	2-27-19	UPDATED VIEW OF TC45BCALA
A	WRB	8-12-09	ADDED NEW PART TO SYSTEM

UNLESS OTHERWISE SPECIFIED
DIMENSIONAL TOLERANCES
FRACTIONAL: $\pm 1/16$
X.XX: $\pm .03$
X.XXX: $\pm .015$
ANGLE: $\pm 1^\circ$
DEBURR ALL SHARP EDGES.
ALL MACHINED SURFACES TO
HAVE A 125 RMS FINISH UNLESS
NOTED OTHERWISE.



DRAWN BY:	WRB
CHECKED BY:	PJG
PROTOTYPE BY:	WRB
PROTOTYPE DATE:	7/11/2008
APPROVED FOR PRODUCTION BY:	WRB
PRODUCTION DATE:	8/12/2008

SALCO PRODUCTS, INC.

PART NAME:
BOTTOM OUTLET CAP 4"

MATERIAL: **SEE BOM**

PROJECT #: **WAG0582** SHEET #: **1 OF 1** SCALE: **1:1**

DRAWING #: **C25621** PART #: **TC45BCAL2A**