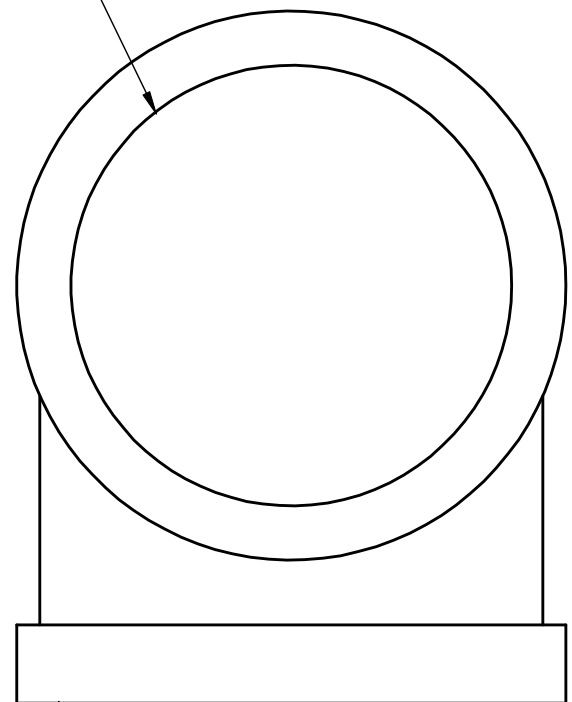




2" NPT
2 PLS



COUPLING IS 150#

A	ACC	6-29-04	ADDED PART INTO THE SYSTEM
REV	BY	DATE	DESCRIPTION

UNLESS OTHERWISE SPECIFIED DIMENSIONAL TOLERANCES	
FRACTIONAL	±1/16
X.XX	±0.03
X.XXX	±0.015
ANGULAR	±1°
THIS PRINT, PROPERTY OF SALCO PRODUCTS INC., CONTAINS PROPRIETARY INFORMATION AND MUST NOT BE COPIED, REPRODUCED, OR USED DETREMENTALLY TO OUR INTEREST.	
THIRD ANGLE PROJECTION	

DRAWN BY: ACC	CHKD BY: KRSJ	SCALE: 1:1	APPROVAL DATE: 6-29-04
MATERIAL: BLACK MALLEABLE IRON			
PART NAME: ELBOW 2" 90 DEGREE			
PROJECT # WAG0147	PROTOTYPE AND DATE:	APPROVED FOR PRODUCTION: ACC	
DRAWING # A19293	PART # E2A90BW		