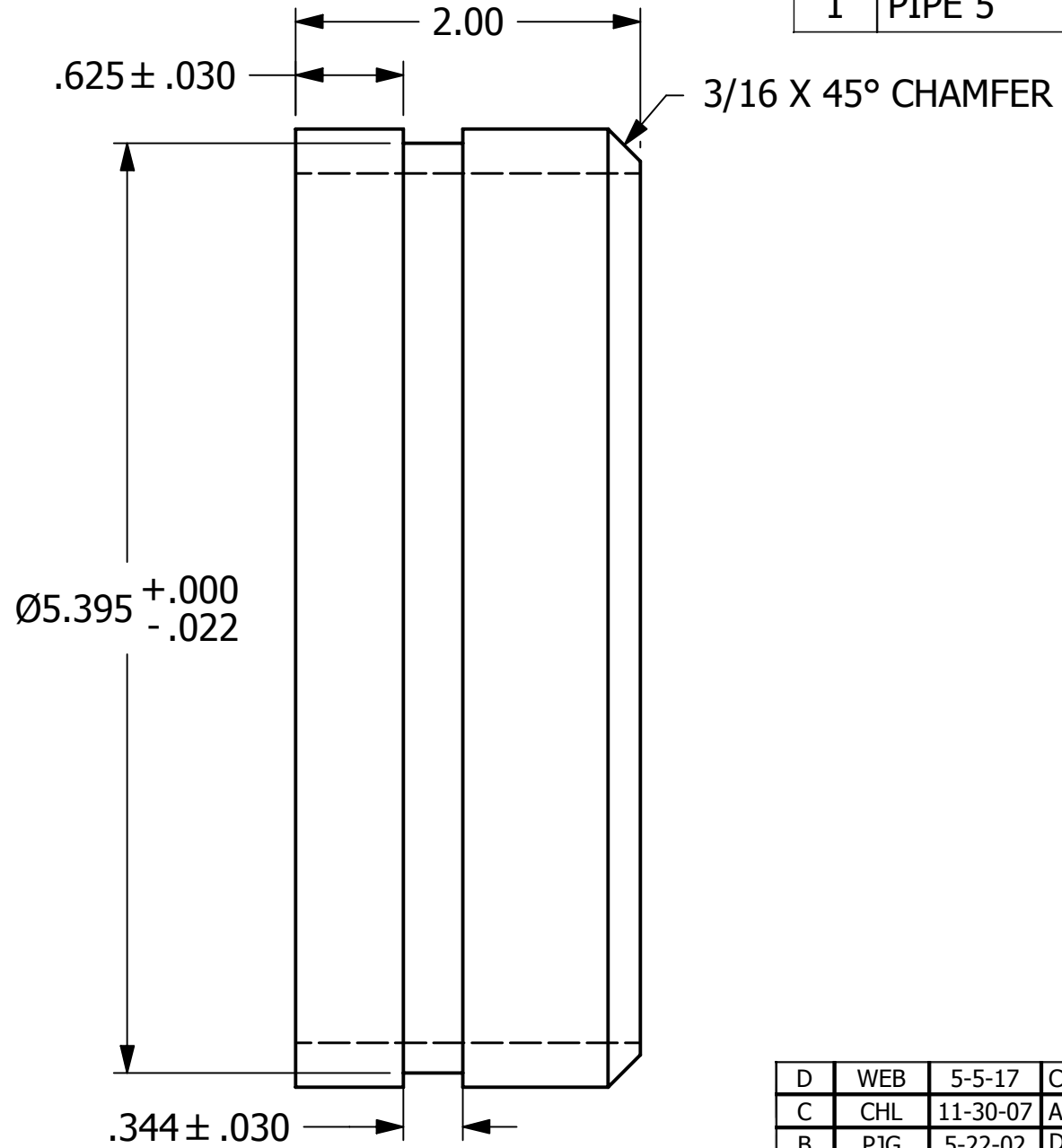
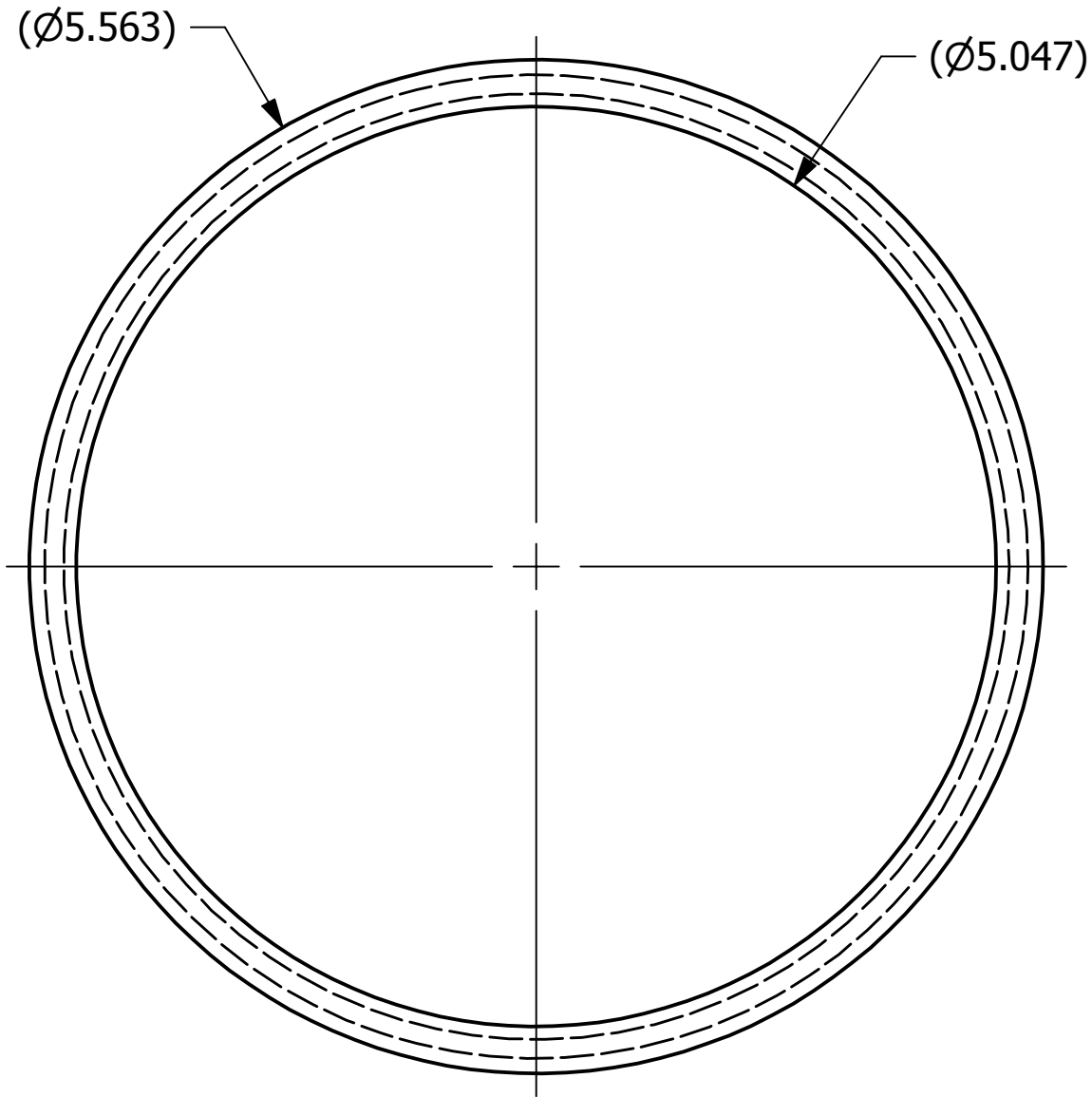


NO.	PART NAME	PART #	REQ'D	MATERIAL
1	PIPE 5"	P5A40	.167 FT	ALUMINUM



REV	BY	DATE	DESCRIPTION
D	WEB	5-5-17	CHANGED .63 & .38 .625±.030 & .344±.030
C	CHL	11-30-07	ADDED BOM
B	PJG	5-22-02	DIMS 5.56,5.05,.63,.38,.19,2.00 WERE 3 DEC
A	ACC	9-19-04	ADD NEW PART TO SYSTEM

UNLESS OTHERWISE SPECIFIED DIMENSIONAL TOLERANCES		DRAWN BY:	ACC
FRACTIONAL:	$\pm 1/16$	CHECKED BY:	
X.XX:	$\pm .03$	PROTOTYPE BY:	ACC
X.XXX:	$\pm .015$	PROTOTYPE DATE:	9/19/2001
ANGULAR:	$\pm 1^\circ$	APPROVED FOR PRODUCTION BY:	ACC
DEBURR ALL SHARP EDGES. ALL MACHINED SURFACES TO HAVE A 125 RMS FINISH UNLESS NOTED OTHERWISE.		PRODUCTION DATE:	9/19/2001
THIRD ANGLE PROJECTION			

SALCO PRODUCTS, INC.			
PART NAME: SWIVEL GROOVE NIPPLE 5"			
MATERIAL: SEE BOM			
PROJECT #:	010910	SHEET #:	1 OF 1
DRAWING #:		SCALE: 1:1	
B16142		PART #: N52AVG	

THIS PRINT, PROPERTY OF SALCO PRODUCTS INC., CONTAINS PROPRIETARY INFORMATION AND MUST NOT BE COPIED, REPRODUCED, OR USED DETRIMENTALLY TO OUR INTEREST.