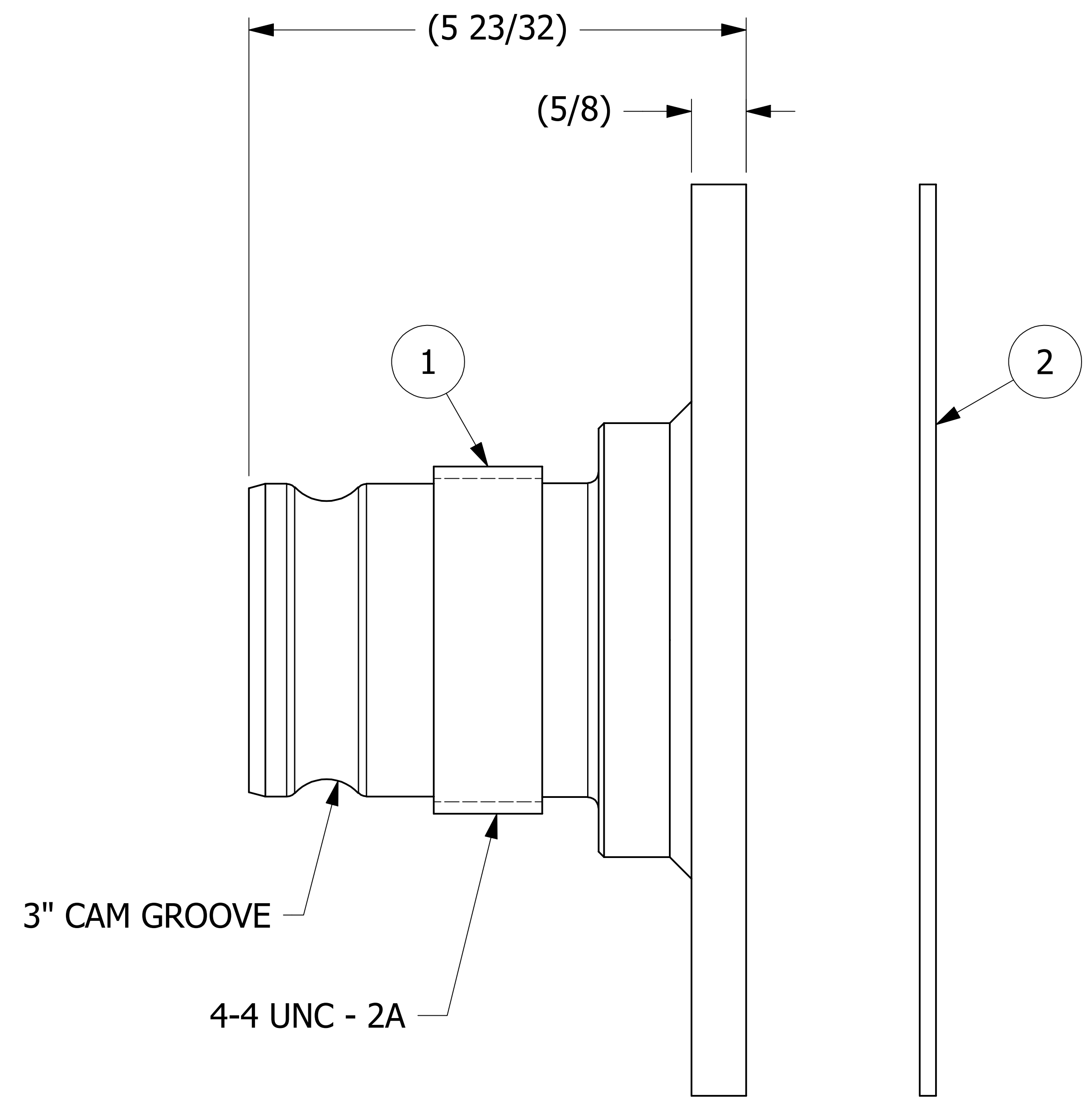
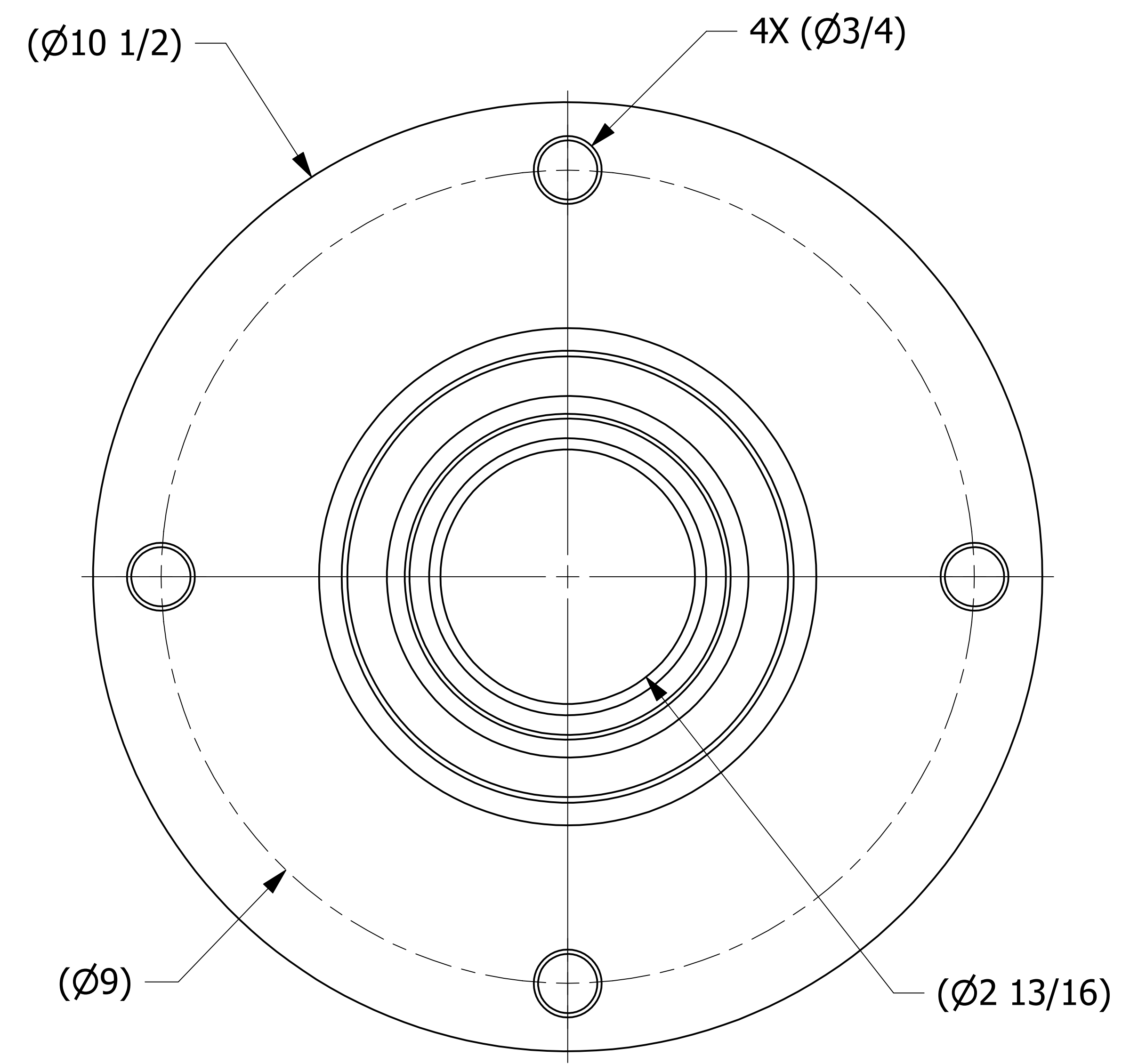


NO.	PART NAME	PART #	REQ'D	MATERIAL
1	QUICK CONNECT ADAPTER 3" FLANGED	TE4X3SF	1	316 SS
2	FLANGE GASKET 3"	TE3FG6	1	BLACK VITON A



NOTES:  
 1. FLANGE IS AAR AND DOT APPROVED.  
 2. AAR APPROVAL # E-149523.  
 3. FITS 4" JAMESBURY BALL VALVE (9.00" B.C.)

A	JG	8-10-15	RELEASED FOR PRODUCTION
REV	BY	DATE	DESCRIPTION
<b>SALCO PRODUCTS, INC.</b>			
<b>QUICK CONNECT ADAPTER 3" FLANGED</b>			
MATERIAL: SEE BOM		PROJECT #: R150803F	SHEET #: 1 OF 1
DRAWING #: D20306		PART #: TE4X3SF6	SCALE: 1:1

<small>UNLESS OTHERWISE SPECIFIED DIMENSIONAL TOLERANCES</small> FRACTIONAL: $\pm 1/16$ X.XX: $\pm .03$ X.XXX: $\pm .015$ ANGULAR: $\pm 1^\circ$ <small>DEBURR ALL SHARP EDGES. ALL MACHINED SURFACES TO HAVE A 125 RMS FINISH UNLESS NOTED OTHERWISE.</small> <small>THIRD ANGLE PROJECTION</small>	DRAWN BY:	CHL
	CHECKED BY:	ACC
	PROTOTYPE BY:	CHL
	PROTOTYPE DATE:	3/14/2005
	APPROVED FOR PRODUCTION BY:	JG
	PRODUCTION DATE:	8/10/2015

THIS PRINT, PROPERTY OF SALCO PRODUCTS INC. CONTAINS PROPRIETARY INFORMATION AND MUST NOT BE COPIED, REPRODUCED, OR USED DETRIMENTALLY TO OUR INTEREST.