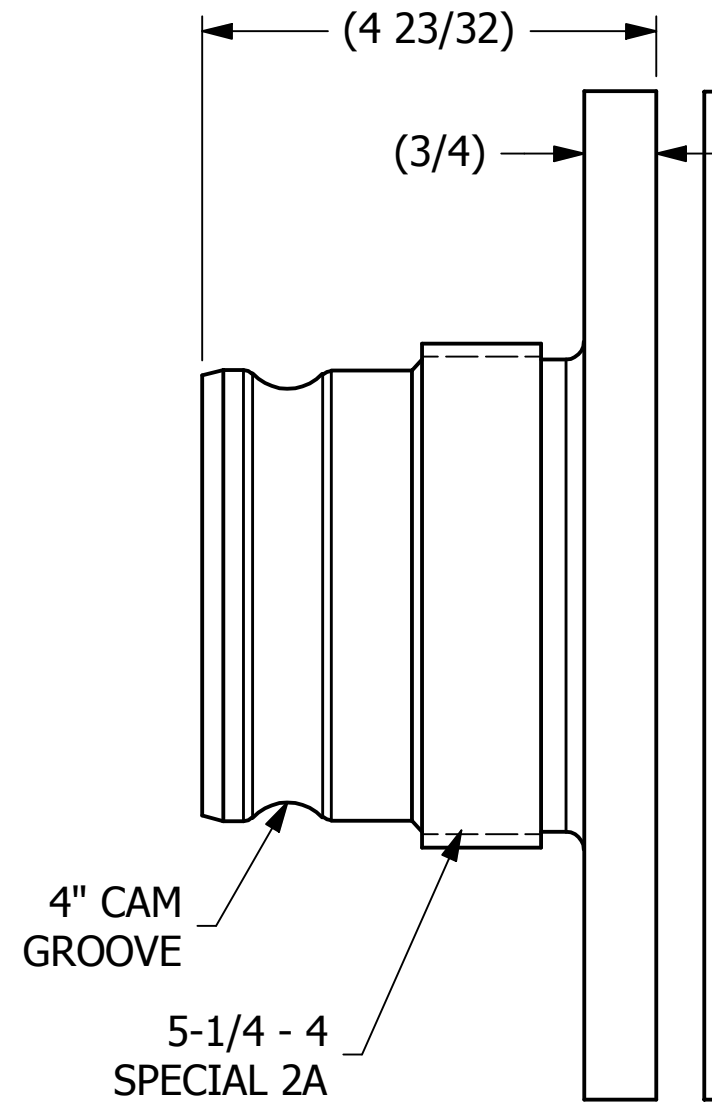
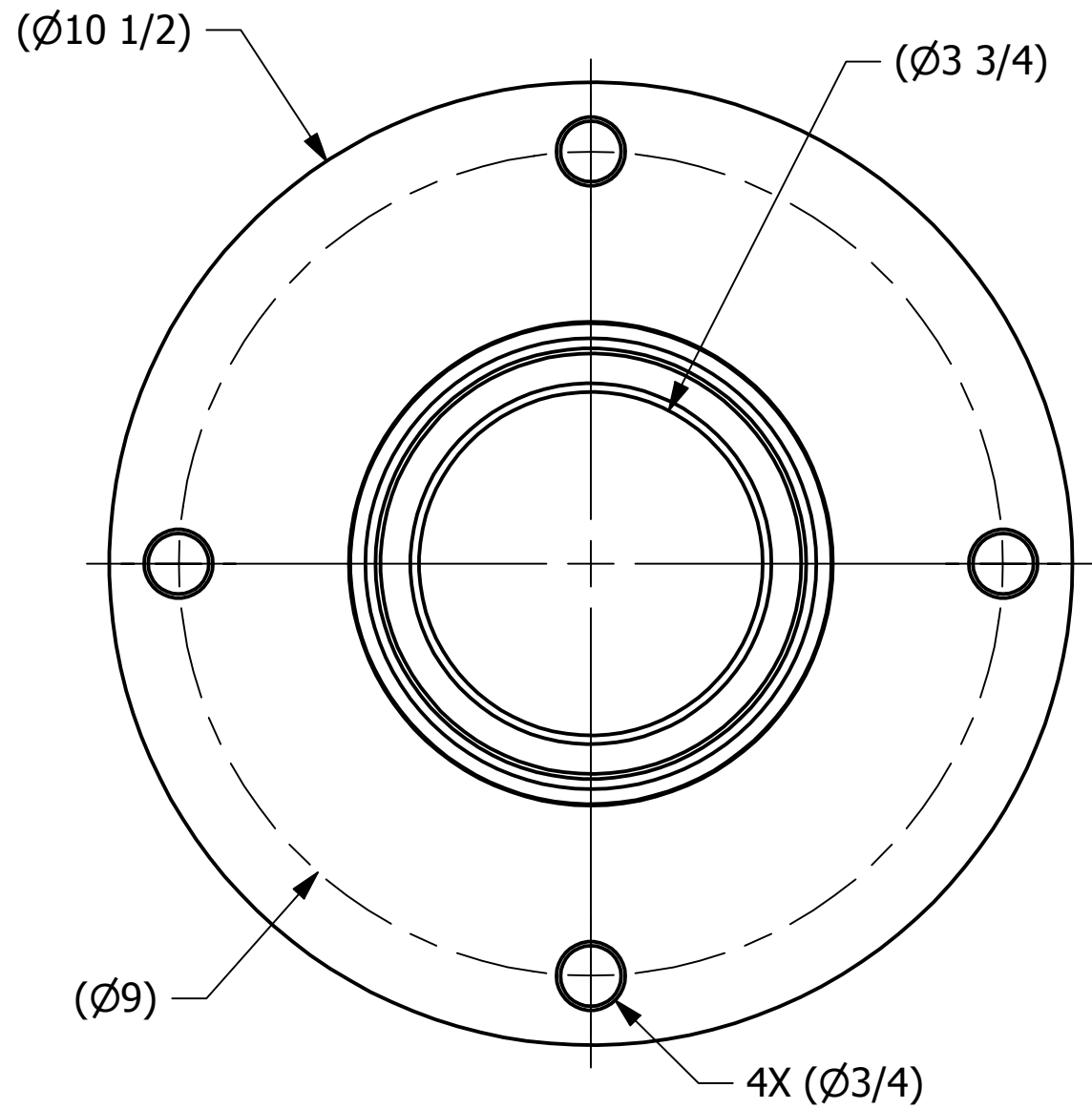


NO.	PART NAME	PART#	REQ'D	MATERIAL
1	QUICK CONNECT ADAPTER 4" FLANGED	TE4SF	1	316 SS
2	FLANGE GASKET 3"	TE3FGW	1	WHITE FDA NITRILE



- NOTES:
1. THIS ASSEMBLY IS AAR AND DOT APPROVED.
 2. AAR APPROVAL # E-149523.
 3. QUICK DISCONNECT MEETS A-A-59326D.
 4. ADAPTER THREADS PER FIGURE E.18 IN THE AAR TANK CAR MANUAL.

THIS PRINT, PROPERTY OF SALCO PRODUCTS INC., CONTAINS PROPRIETARY INFORMATION AND MUST NOT BE COPIED, REPRODUCED, OR USED DETRIMENTALLY TO OUR INTEREST.

REV	BY	DATE	DESCRIPTION
A	WEB	11-17-15	UPDATED TO CURRENT CAD STANDARDS

UNLESS OTHERWISE SPECIFIED DIMENSIONAL TOLERANCES	DRAWN BY:	BRG
FRACTIONAL: $\pm 1/16$	CHECKED BY:	CRL
X.XX: $\pm .03$	PROTOTYPE BY:	BRG
X.XXX: $\pm .015$	PROTOTYPE DATE:	11/12/2007
ANGULAR: $\pm 1^\circ$	APPROVED FOR PRODUCTION BY:	WEB
DEBURR ALL SHARP EDGES. ALL MACHINED SURFACES TO HAVE A 125 RMS FINISH UNLESS NOTED OTHERWISE.	PRODUCTION DATE:	11/17/2015
THIRD ANGLE PROJECTION		

SALCO PRODUCTS, INC.

PART NAME: **QUICK CONNECT ADAPTER 4" FLANGED**

MATERIAL: **SEE BOM**

PROJECT #: **WAG0483** SHEET #: **1 OF 1** SCALE: **1:2**

DRAWING #: **B24408** PART #: **TE4SF2**