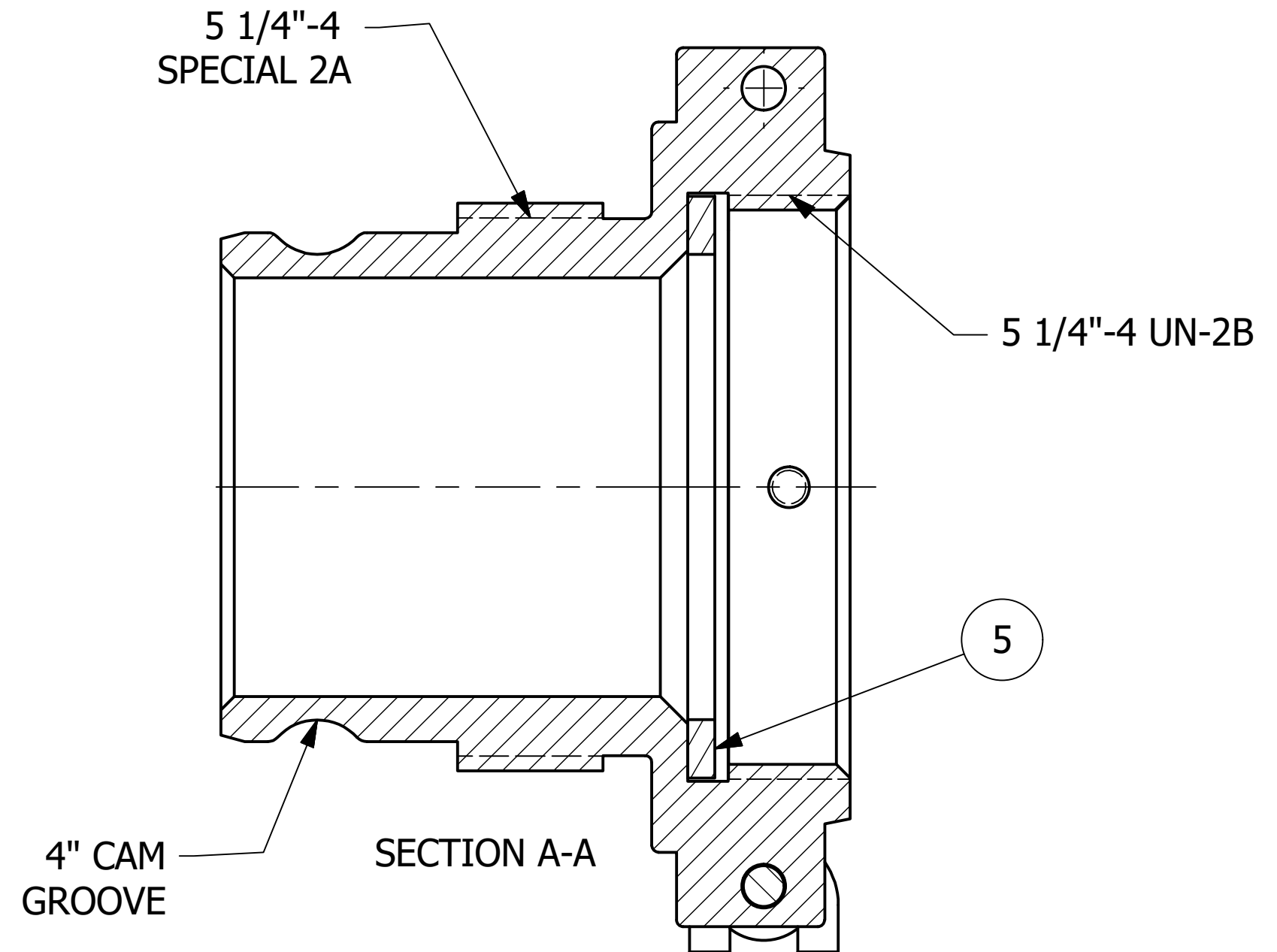
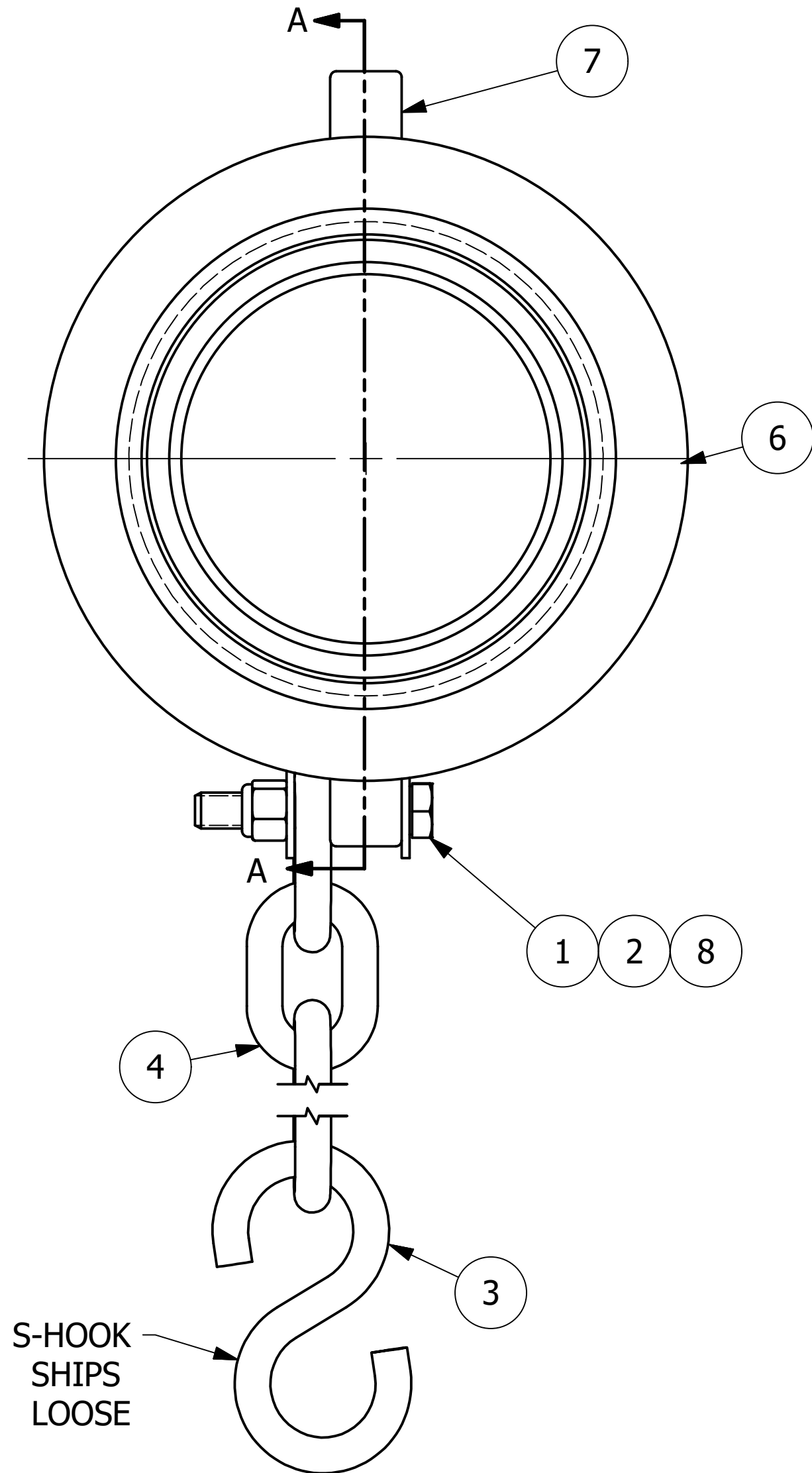


NOTES:

1. THIS ASSEMBLY IS AAR AND DOT APPROVED.
2. AAR APPROVAL #: E-149523
3. QUICK DISCONNECT MEETS A-A-59326D.
4. ADAPTER THREADS PER FIGURE E.18 IN THE AAR TANK CAR MANUAL.
5. SPRAY WITH USDA APPROVED WHITE MINERAL OIL OR VEGETABLE OIL AS A RUST INHIBITOR.

NO.	PART NAME	PART#	REQ'D	MATERIAL
1	HEX LOCK NUT 3/8"-16	EA111N	1	CS Z/P
2	FLAT WASHER 3/8" USS	KL103FW	2	CS Z/P
3	S-HOOK 3/8"X3 1/2"	SC38SH	1	CS Z/P
4	CHAIN LINKS 3/8"X15	SC4315C	1	AISI 1008 CS
5	ADAPTER GASKET 5 1/4" RR	SSA4G7	1	BLACK VITON® B
6	SOCKET CAP SCREW 3/8"-16X1/2"	T4SHCS	2	18-8 SS
7	QUICK CONNECT ADAPTER 4" THREADED	TE4IA	1	DI
8	HEX BOLT 3/8"-16X2 1/4"	VPHC20B	1	CS Z/P



REV	BY	DATE	DESCRIPTION
D	WEB	5/4/22	REPLACED 16X SC43 W/ SC4315C
C	WEB	10/4/21	ADDED NOTE 5; UPDATED TITLE BLOCK
B	WEB	7/9/15	NOTES & REPLACED T4C382B W/VPHC20B
A	BRG	7/11/08	NEW PART ADDED TO SYSTEM

UNLESS OTHERWISE SPECIFIED DIMENSIONAL TOLERANCES FRACTIONAL: ±1/16	DRAWN BY:	BRG
X.XX: ±.03	CHECKED BY:	CHL
X.XXX: ±.015	PROTOTYPE DATE:	7/10/2008
ANGLE: ±1°	APPROVED FOR PRODUCTION BY:	CHL
DEBURR ALL SHARP EDGES. ALL MACHINED SURFACES TO HAVE A 125 RMS FINISH UNLESS NOTED OTHERWISE	PRODUCTION DATE:	7/11/2008
THIRD ANGLE PROJECTION	SIZE:	C
	DRAWING #:	25617

**SALCO PRODUCTS, INC.**

PART NAME: **QUICK CONNECT ADAPTER 4"THREAD ON**

MATERIAL: **SEE BOM**

PROJECT #: **WAG0472** SHEET #: **1 OF 1** SCALE: **3:4**

PART #: **TE4IA7A**