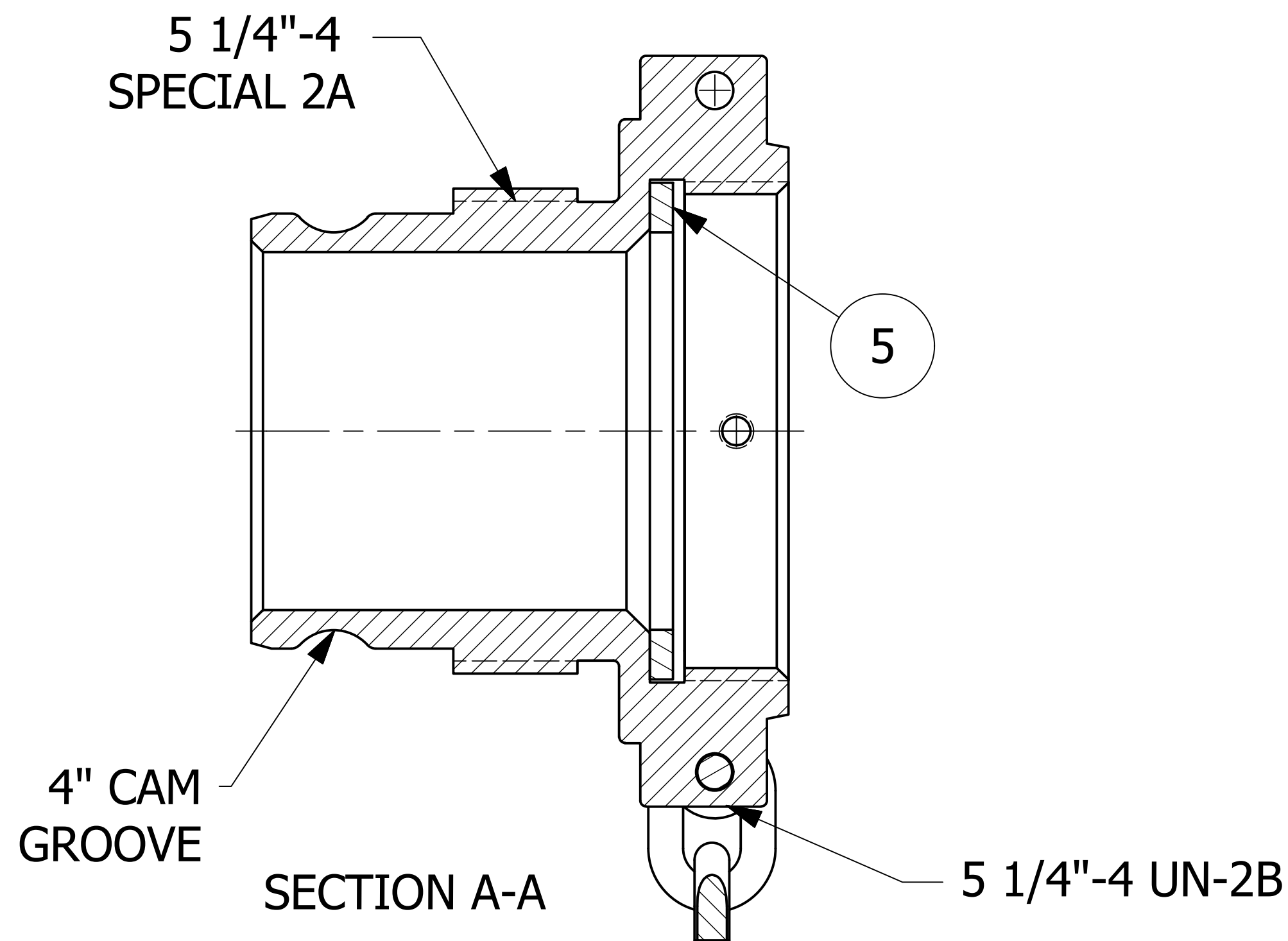
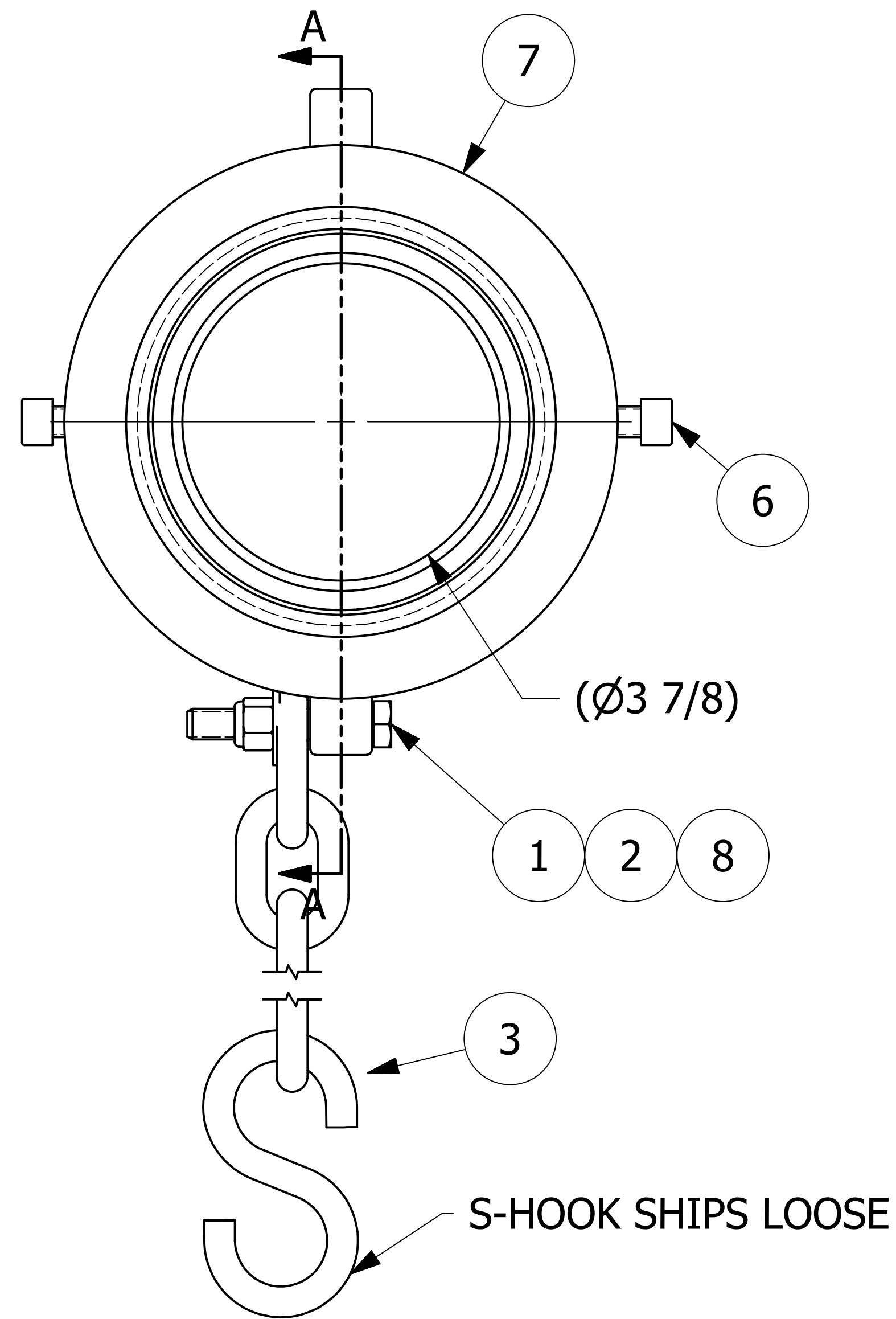


NOTES:

1. THIS ASSEMBLY IS AAR AND DOT APPROVED.
2. AAR APPROVAL #: E-149523
3. QUICK DISCONNECT MEETS A-A-59326D.
4. ADAPTER THREADS PER FIGURE E.18 IN THE AAR TANK CAR MANUAL.
5. SPRAY WITH UDSA APPROVED WHITE MINERAL OIL OR VEGETABLE OIL AS A RUST INHIBITOR.



NO.	PART NAME	PART #	REQ'D	MATERIAL
1	HEX LOCK NUT 3/8"-16	EA111N	1	CS Z/P
2	FLAT WASHER 3/8" USS	KL103FW	1	CS Z/P
3	S-HOOK 3/8"X3 1/2"	SC38SH	1	CS Z/P
4	CHAIN LINKS 3/8"X15	SC4315C	1	AISI 1008 CS
5	ADAPTER GASKET 5 1/4" RR	SSA4GW	1	WHITE FDA NITRILE
6	SOCKET CAP SCREW 3/8"-16X1/2"	T4SHCS	2	18-8 SS
7	QUICK CONNECT ADAPTER 4" THREADED	TE4IA	1	DI
8	HEX BOLT 3/8"-16X2 1/4"	VPHC20B	1	CS Z/P

REV	BY	DATE	DESCRIPTION
D	WEB	5/4/22	REPLACED 16X SC43 W/ SC4315C
C	WEB	12/15/21	ADDED SPRAY NOTE; UPDATED TITLE BLOCK; SORTED BOM
B	WEB	7/9/15	VPHC20B WAS T4C382B, E-149523 WAS E-049013
A	CHL	6/26/12	RELEASED FOR PRODUCTION

UNLESS OTHERWISE SPECIFIED DIMENSIONAL TOLERANCES	DRAWN BY:	CHL
FRACTIONAL: ±1/16	CHECKED BY:	TAJ
X.XX: ±.03	PROTOTYPE DATE:	5/24/2012
X.XXX: ±.015	APPROVED FOR PRODUCTION BY:	CHL
ANGULAR: ±1°	PRODUCTION DATE:	6/26/2012
DEBURR ALL SHARP EDGES. ALL MACHINED SURFACES TO HAVE A 125 RMS FINISH UNLESS NOTED OTHERWISE.	SIZE:	D
THIRD ANGLE PROJECTION	DRAWING #:	33279

SALCO PRODUCTS, INC.

QUICK CONNECT ADAPTER 4" THREAD ON

MATERIAL: **SEE BOM**

PROJECT #: **120524** SHEET #: **1 OF 1** SCALE: **3:4**

PART #: **TE4IA2A**