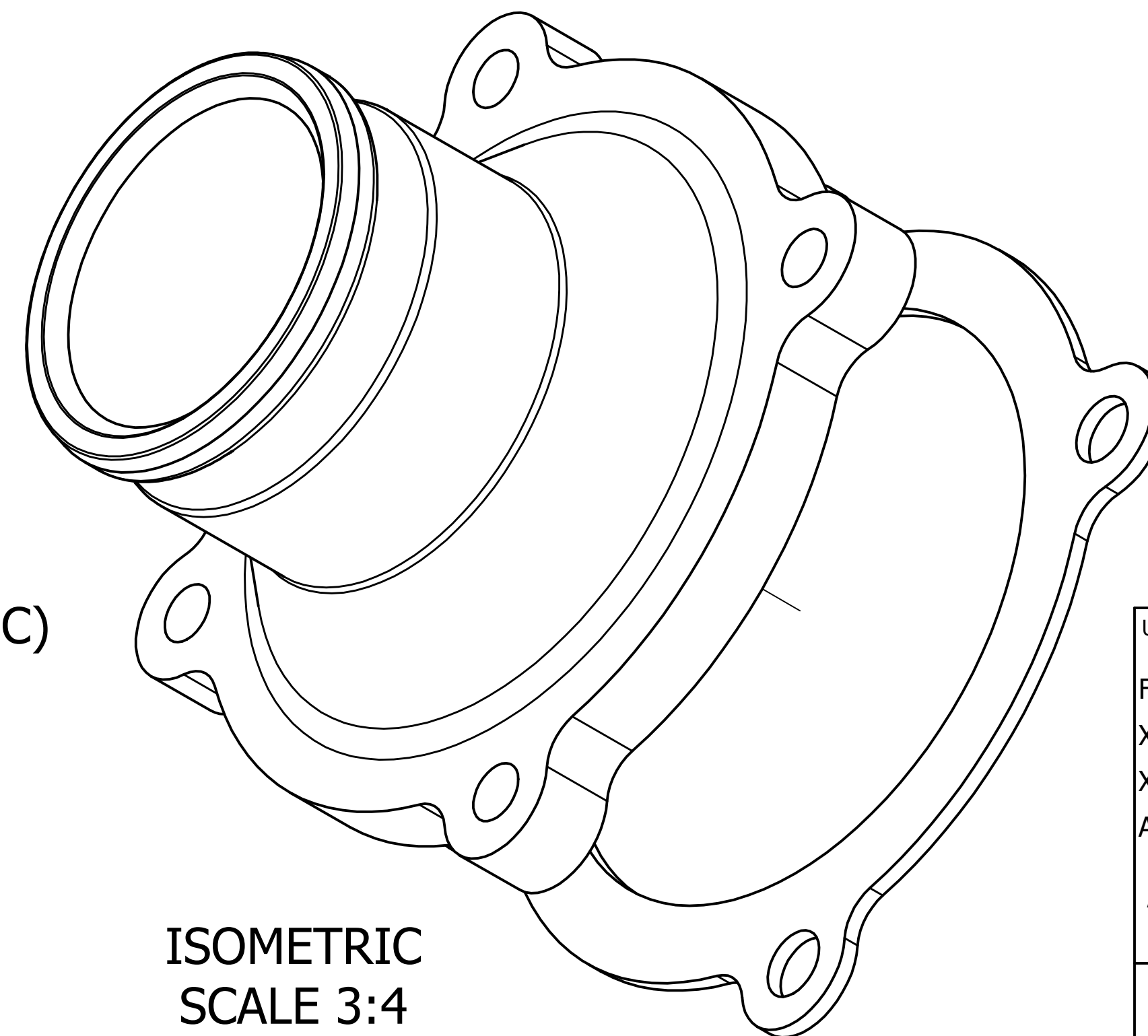
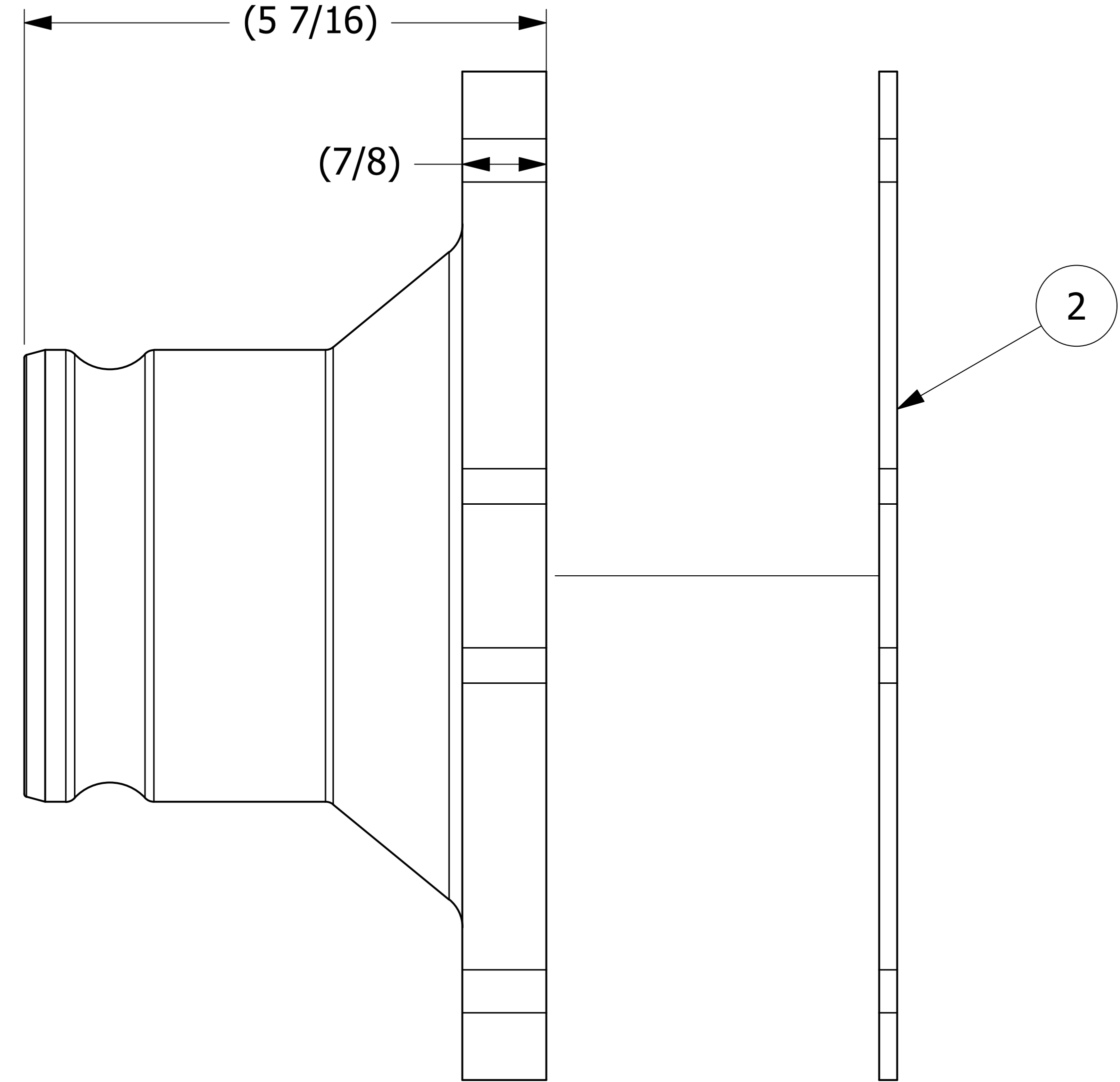
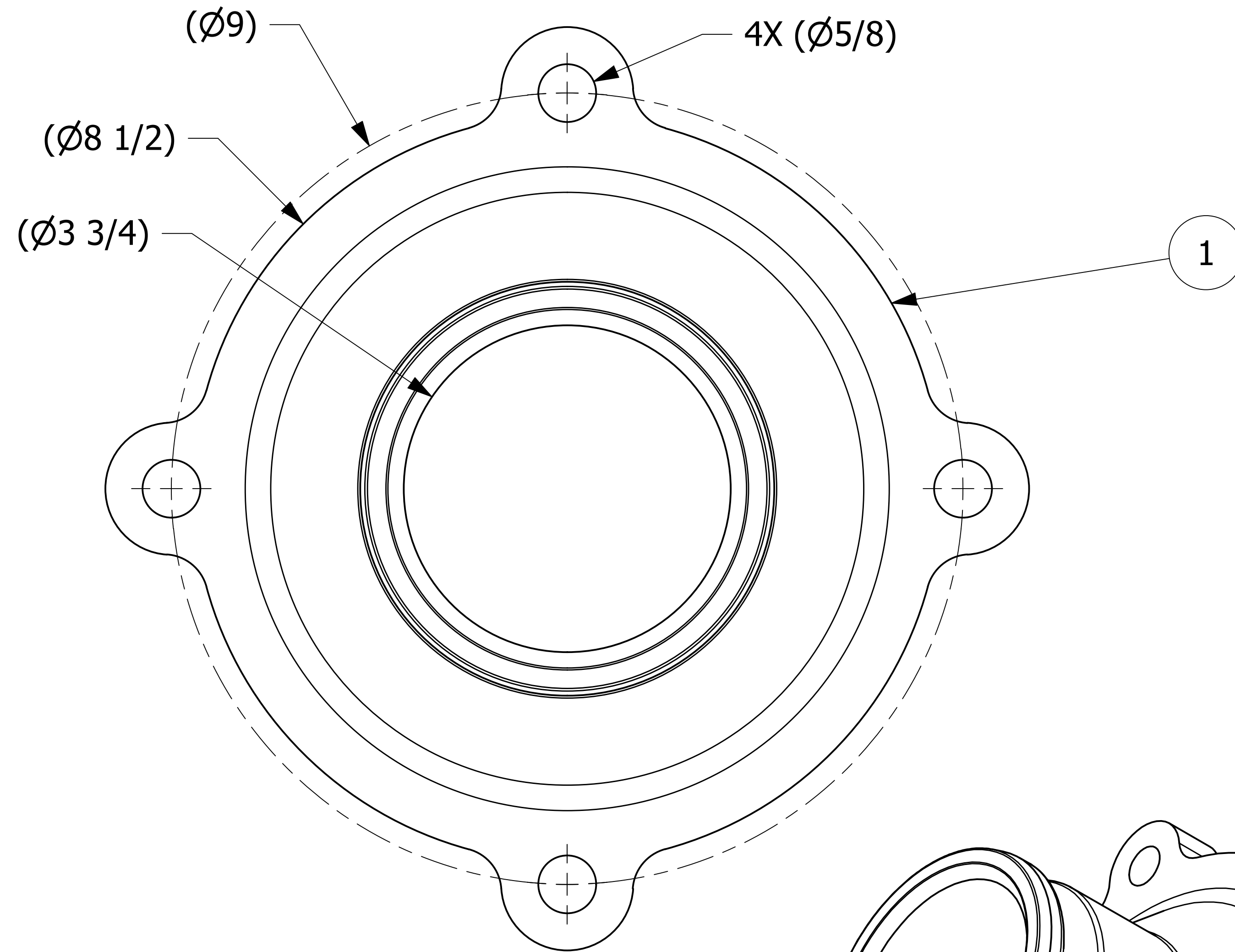


NO.	PART NAME	PART #	REQ'D	MATERIAL
1	QUICK DISCONNECT ADAPTER 4" FLANGED	K4SWF	1	ASTM A743 GR. CF-8M 316 SS
2	FLANGE GASKET 4"	K4WFG8	1	WHITE NEOPRENE



NOTES:

1. THIS ASSEMBLY IS NOT DOT APPROVED AND CAN BE USED ONLY ON AAR STENCILED CARS.
2. QUICK DISCONNECT MEETS MIL-C-27487G SPECS.
3. FITS JAMESBURY 6" WAFER SPHERE VALVE (9.00" BC)
4. AAR APPROVAL # E-232133.

REV	BY	DATE	DESCRIPTION
C	RPS	3/26/24	AAR APPROVAL # WAS E-139514.
B	BP	3/30/22	CHANGED AAR APPROVAL# FROM E-039015 TO E-139514
A	CHL	1/12/04	AAR APPROVAL # WAS E-939034

UNLESS OTHERWISE SPECIFIED DIMENSIONAL TOLERANCES	DRAWN BY:	FOD
FRACTIONAL: $\pm 1/16$	CHECKED BY:	ACC
X.XX: $\pm .03$	PROTOTYPE DATE:	3/6/2000
X.XXX: $\pm .015$	APPROVED FOR PRODUCTION BY:	ACC
ANGULAR: $\pm 1^\circ$	PRODUCTION DATE:	3/6/2000
DEBURR ALL SHARP EDGES. ALL MACHINED SURFACES TO HAVE A 125 RMS FINISH. UNLESS NOTED OTHERWISE.	SIZE:	D
THIRD ANGLE PROJECTION	DRAWING #:	14141

SALCO PRODUCTS, INC.	
QUICK CONNECT ADAPTER 4" FLANGED	
MATERIAL: SEE BOM	
PROJECT #:	SHEET #: 1 OF 1 SCALE: 1:1
PART #: K4SWF8	