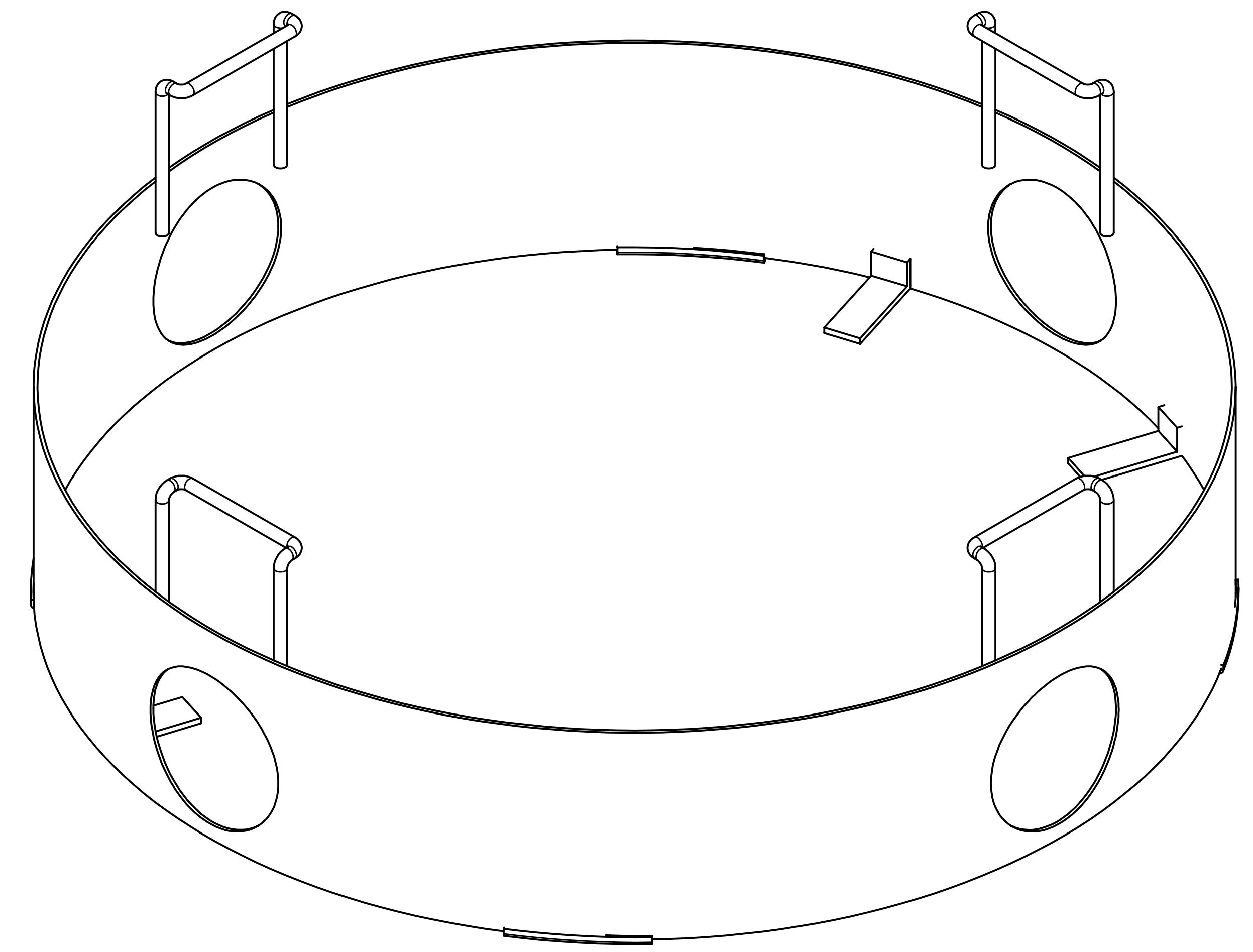
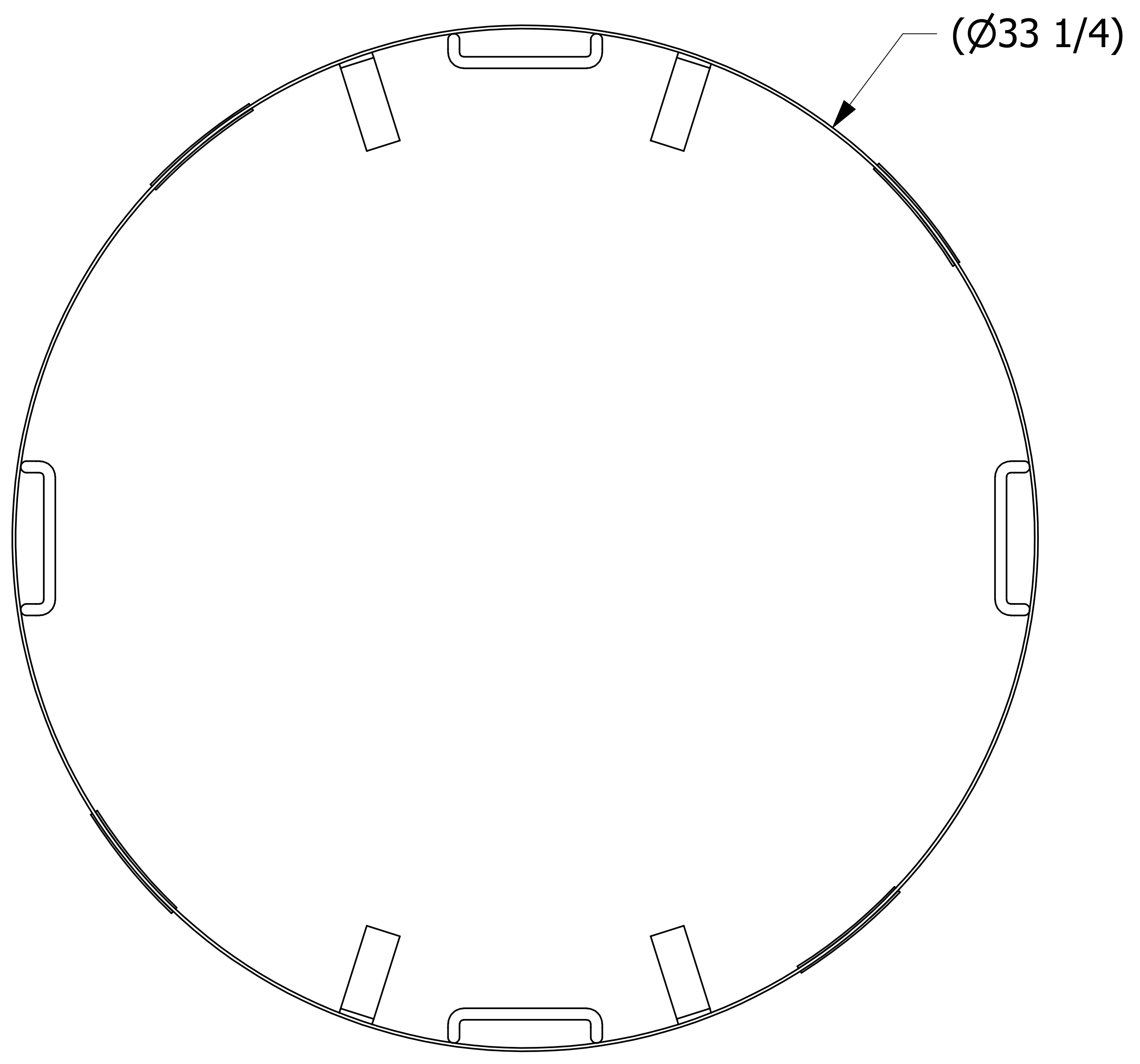
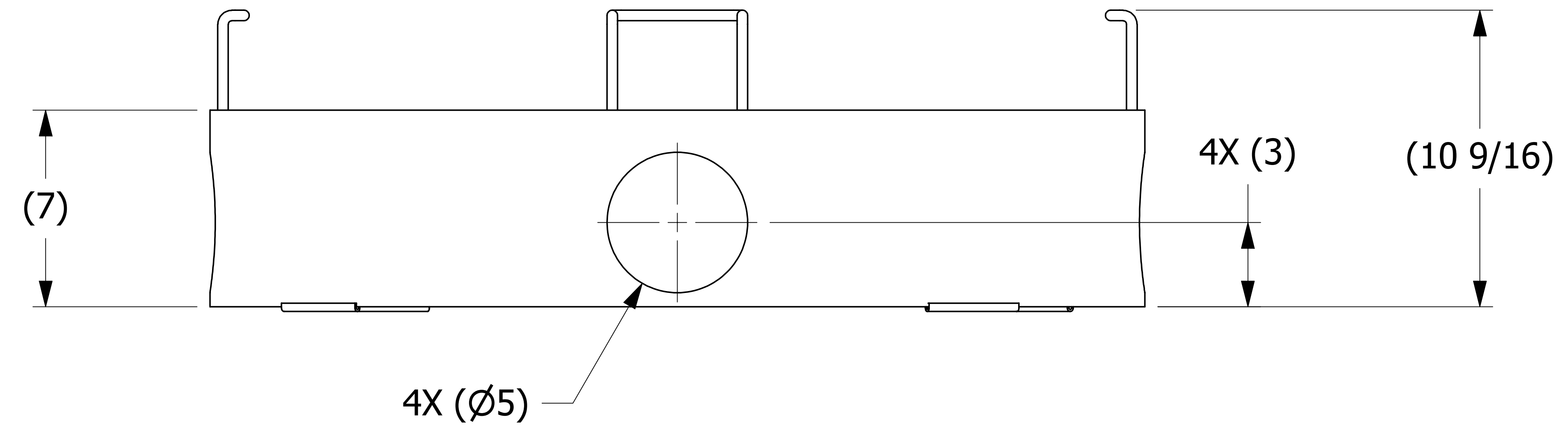


NO.	PART NAME	PART#	REQ'D	MATERIAL
1	SECURITY RING 20"	MB20PR02CSNL	1	SEE DWG
2	EDGE TRIM 1/8"	A21066	4	NEOPRENE
3	LABEL	MBPRLBL	1	VINYL



ISOMETRIC VIEW



- NOTES:
- APPLY LABEL ON INSIDE OF RING, DO NOT PLACE OVER HOLE.
  - GLUE EDGE TRIM TO RING.
  - FITS ON PPNX 1250 - 1289 CARS.

REV	BY	DATE	DESCRIPTION
C	VD	08-14-12	UPDATED VIEW
B	VD	10-15-10	REDUCED RING 33 5/8" O.D. TO 33 1/4".
A	VD	04-15-09	ADDED PART TO SYSTEM

UNLESS OTHERWISE SPECIFIED DIMENSIONAL TOLERANCES	DRAWN BY:	VD
FRACTIONAL: ±1/16	CHECKED BY:	CHL
X.XX: ±.03	PROTOTYPE BY:	VD
X.XXX: ±.015	PROTOTYPE DATE:	3/24/2009
ANGULAR: ±1°	APPROVED FOR PRODUCTION BY:	
THIRD ANGLE PROJECTION	PRODUCTION DATE:	

**SALCO PRODUCTS, INC.**

PART NAME: **SECURITY RING 20"**

MATERIAL: **CS**

PROJECT #: **080922** SHEET #: **1 OF 1** SCALE: **3:8**

DRAWING #: **E26616** PART #: **MB20PR02CS**

THIS PRINT, PROPERTY OF SALCO PRODUCTS INC. CONTAINS PROPRIETARY INFORMATION AND MUST NOT BE COPIED, REPRODUCED, OR USED DETRIMENTALLY TO OUR INTEREST.