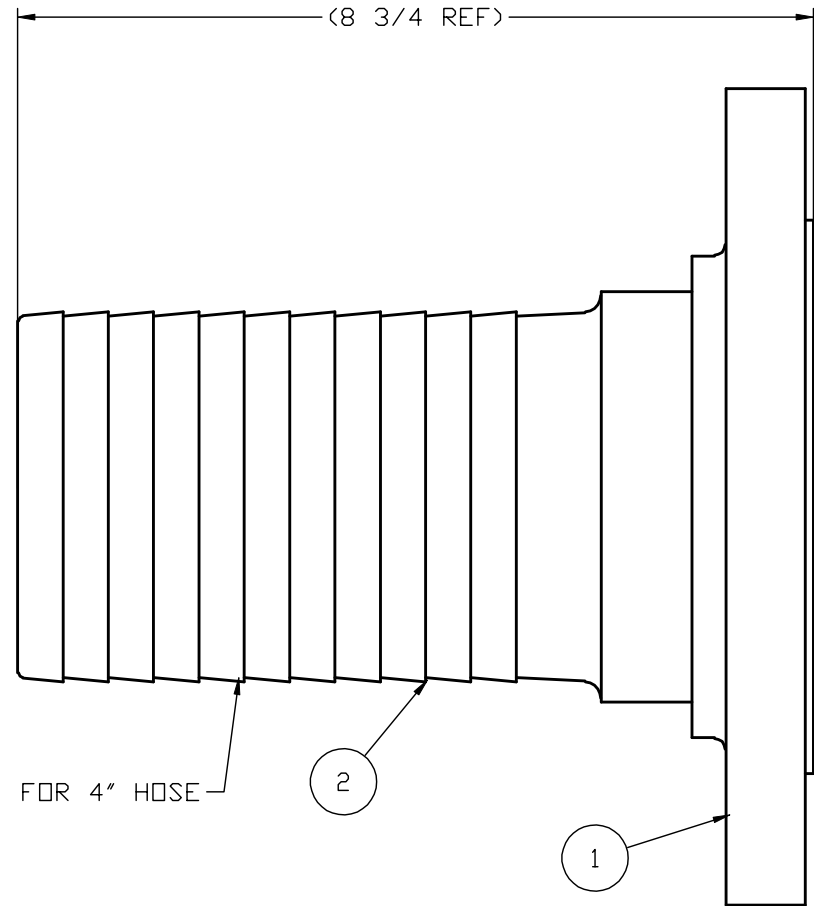
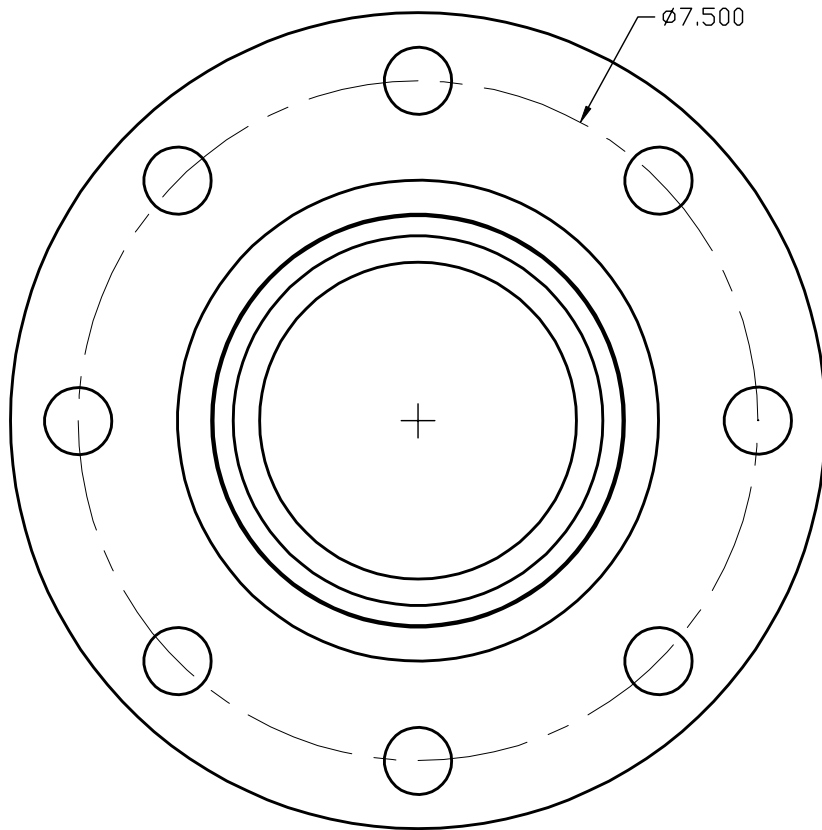


NO.	PART NAME	PART #	REQ'D	MATERIAL
1	4" 150# FLANGE	HS4FLS4	1	304 SS
2	4" HOSE BARB	HS4HBP	1	SALCO POLYETHYLENE



FOR 4" HOSE

UNLESS OTHERWISE SPECIFIED DIMENSIONAL TOLERANCES		REVI BY: _____ DATE: _____ DESCRIPTION: _____ Hazarsolve Corp A DIVISION OF SALCO PRODUCTS	
FRACTIONAL	±1/16	DRAWN BY: ACC	CHKD BY: _____ SCALE: 1:1 APPROVAL DATE: 2-19-04
X.XXX	±0.03	MATERIAL: SEE BOM	
X.XXX	±0.015	PART NAME: FLANGED HOSE BARB ASSY 4"	
ANGULAR	±1°		
<small>THIS PRINT, PROPERTY OF SALCO PRODUCTS INC., CONTAINS PROPRIETARY INFORMATION AND MUST NOT BE COPIED, REPRODUCED, OR USED IN WHOLE OR IN PART WITHOUT THE WRITTEN PERMISSION OF SALCO PRODUCTS INC.</small>		PROJECT #030708	PROTOTYPE AND DATE: _____ APPROVED FOR PRODUCTION: ACC
THIRD ANGLE PROJECTION		DRAWING #: C18894	PART #: HS4FTBSS